



the new forest dental catalog
affordable excellence + designer friendly

“ Go ahead ... ask me what cars have to do with dental equipment!



HANK BARTON, OWNER

As crazy as it sounds, for my sixth birthday, my dad bought me a shiny black 1938 Buick he picked up from the local wrecking yard, its only problem being a cracked block. He placed it out behind the barn and my friends and I spent countless hours polishing it and pretending we were on the ultimate road trip. I still act like a kid when I see a really nice car. And wouldn't you know it, thirty years ago I met my lovely wife Hollie, whose father Len Sutton, raced Indy Cars. I guess you can say it's in my blood.

It's always fascinated me how cool and classy a car can be. Why not dental equipment? Taking the elements of dental equipment to the level of a beautiful car seemed natural. Dental equipment should be a little more exciting to look at, a little more patient friendly. After I purchased Forest, I began implementing these ideas and before long some of the special elements that make

cars so alluring found their way into our dental equipment: rich color, chrome accents and carbon fiber trim. Thus was born Designer Friendly™ dental equipment.

With new engineering and a little push, Forest is now one of North America's fastest growing manufacturers because of our two primary strategy-driven reasons: **Affordable Excellence** and **Designer Friendly**.

Affordable Excellence reflects our focus on mirroring many of the expensive features of big brand names with even more precision of fit and finish, and selling it for less.

Designer Friendly is all about color. Everyone knows color is important in any interior design. We are the industry's only company giving you the choice of eight paint colors enhanced with chrome accents and carbon fiber surface treatments. Simply stated, it's beautiful. ”

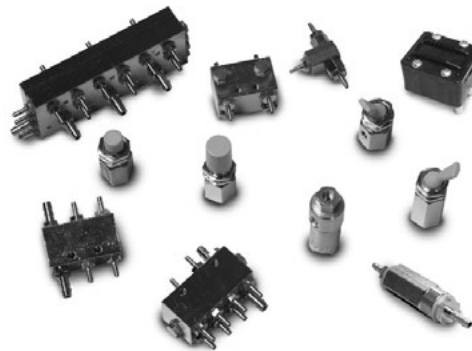
Hank Barton

Affordable Excellence

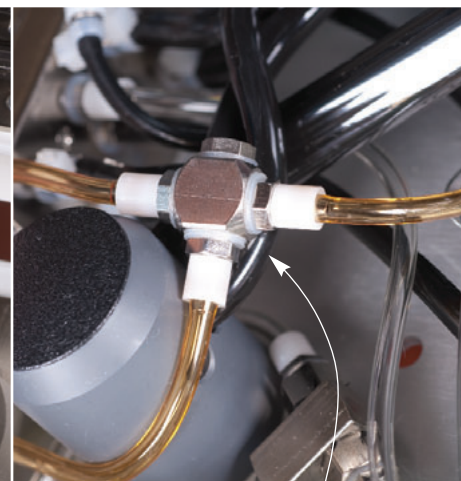
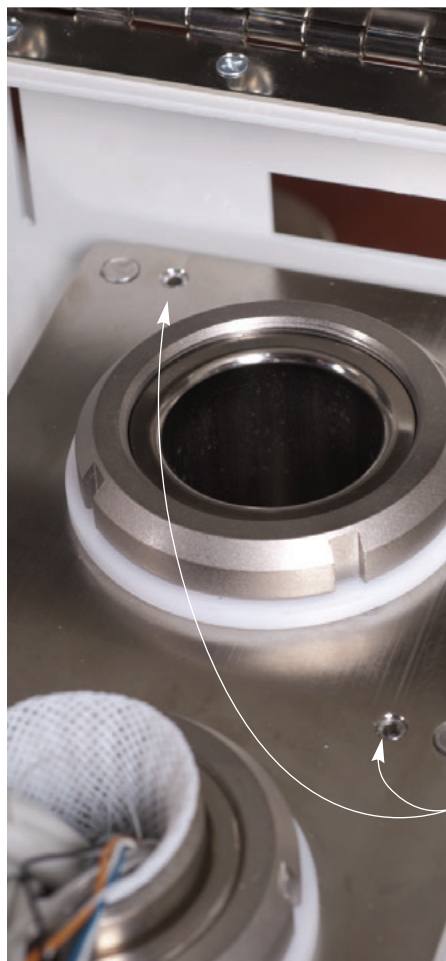
A lot of little things done well is our primary focus at Forest. Before you make your next equipment purchase, take some time to compare Forest with any brand, regardless of price. Our quality is unmatched. And the money you save on Forest chairs, units, lights and stools goes a long way toward other practice enhancing investments.

Our new 7000 series of cabinet-based delivery systems are made of aluminum, not plastic. The handpiece delivery arm moves independent of the assistant's work surface with more inches of vertical and horizontal adjustment than any other system like it. We use chrome billet aluminum end caps on our unit flex arms, not plastic. We have designed our coolant spray valves so that the water metering is more precise than any other brand out there.

None of these features are hugely important unto themselves, but when you add them all up you can see why the Forest Team is proud of what we've evolved into. We've taken an already reliable product line and added many of the features and benefits of the expensive brands with the same overall quality, for less. **Our industry leading sales growth is a testament that today's consumers are indeed sophisticated and can recognize value when they see it.**



relax
everything under the hood has a **lifetime parts warranty**



we listen to your service department
metal tees vs plastic won't break or leak and make adding ancillary products a breeze

on the level
leveling screws eliminate instruments from rolling off surface

well thought out
powder coated aluminum chassis
won't rust, ventilation lets ancillary
products breathe



lots of little details
lids are hinged for quick access



the finish
is important
electroless nickel plating is
long lasting and has great
visual quality



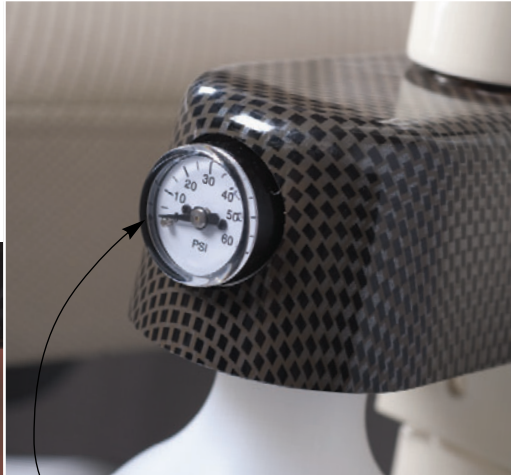
end caps
chromed billet aluminum vs
plastic won't crack, discolor or
fall off and they look great



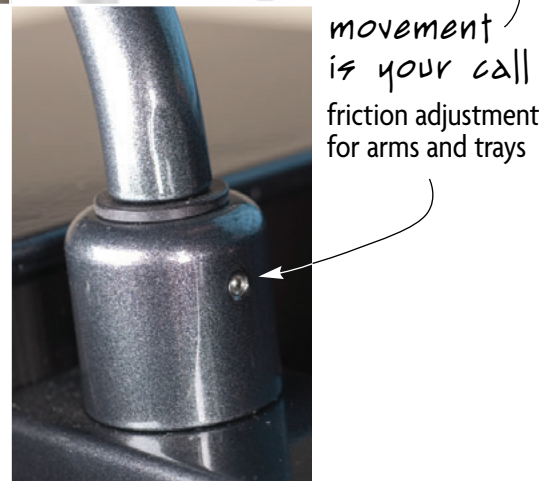
we're proud of our
attention to detail



understand your
pressure point
clean water systems standard
with pressure gauges



movement
is your call
friction adjustments
for arms and trays



made to last
machined billet aluminum
touchpad housing vs plastic



designer friendly™

What if you could only order a white car with your sole color being your upholstery? You could live with it but if given the choice why would you? Once you see a Forest chair, unit and light package with color coordinated paint and upholstery scheme in a well designed treatment room you wonder why it's taken so long for someone to offer dental equipment in a finish other than white.

Dentists and their designers love being able to put something besides “computer monitor white” in their beautiful patient friendly decors because our equipment compliments the surroundings. It's like the hospital birthing rooms of today that are all about the patient's comfort rather than the focus being on the procedure.

It really is a kick watching a dentist react to our equipment when they first see it at a dental show. They veer off course, come into our booth and say something like “Wow, that stuff is beautiful.” **I've never seen people react so positively to dental equipment!**



forest : limited only by your imagination

CARBON FIBER SURFACE TREATMENT

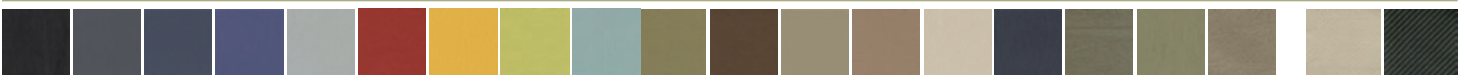


POWDER COAT PAINT



Affordable dental equipment
with a **WOW** factor

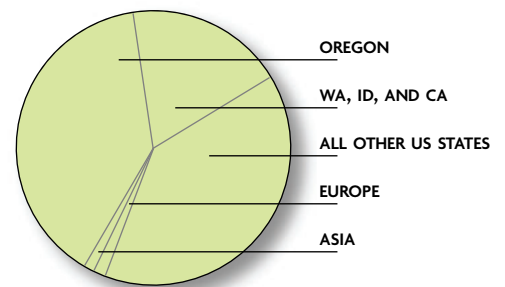
ULTRALEATHER UPHOLSTERY COLORS



ULTRALEATHER RAFFIA

Greening our Forest:

- Forest displaced 44,423 kWh annually by replacing all factory overhead lighting with energy efficient ballasts, bulbs and motion sensors in cooperation with the Energy Trust of Oregon.
- By using reusable cloth to protect painted parts and re-using or changing packaging material, we reduced the amount of plastic bags we consumed in 2009 by 170% from 810,000 small plastic bags to 300,000 small plastic bags.
- We now re-use packaging materials when possible to ship out customer packages. You may notice our sticker on your next Forest box that says "Keeping our Forest Green – We re-use packaging material"
- After joining the Washington County Recycle at Work program, each work station became equipped with bins for 1) hard to recycle plastics like tubing scrap, hard plastics and plastic bags 2) items that can be re-used in another facet of manufacturing and outgoing shipments, and 3) curbside recyclable items. By the end of 2008, we reduced our garbage pick up from 5 days to 1 x per week and take hard to recycle items to a recycling center 1 x per week.
- This catalog was printed by an FSC, g7 and Great Certified printer on Cougar paper, which is FSC certified and a member of the Rainforest Alliance.



FOREST 2009 SUPPLIER FOOTPRINT



Recycle at Work
from Metro and the Washington County
Cooperative Recycling Program





forest dental

affordable excellence + designer friendly™

6200 NE Campus Court
Hillsboro, Oregon 97124
U.S.A.

www.forestmed.com

Prices effective January 1, 2010

customer service:

Forest Customer Service is available by phone for order entry or technical assistance Monday through Friday, 6:00 am to 4:30 pm (PST).

Fax is available 24 hours a day. Voice mail is available 4:30 pm to 6:00 am (PST).

p: 800.423.3555

503.640.3012

f: 503.693.9715

e: sales@forestmed.com



0459



13485



© Copyright 2009 by Forest Dental Products, Inc.
Printed in USA, all rights reserved

table of contents

DESIGNER FRIENDLY		2
DELIVERY SYSTEMS WITHOUT CHAIR		14
Fixed chair mount with sidebox	16	
Fixed chair mount without sidebox	18	
PIVOT CHAIR MOUNT PACKAGES		20
FIXED CHAIR MOUNT WITH SIDEBOX PACKAGES		36
FIXED CHAIR MOUNT WITHOUT SIDEBOX PACKAGES		52
CHAIRS + STOOLS		68
3900 Hydraulic patient chair	70	
Doctor + Assistant's stools	71	
LIGHTS + MONITOR MOUNT ASSEMBLIES		74
9080 / 9045 / 9070 Lights	76	
Monitor mount assemblies	80	
REAR + SIDE DELIVERY SYSTEMS		82
Rear mount	84	
Side mount	90	
Cabinetry mounting configurations	94	
CARTS		96
CUSPIDORS		106
OPTIONAL DELIVERY SYSTEMS		112
Panel mounts	114	
Compact controls	116	
Portable units	117	
Assistant's instrumentation	124	
FACTORY OPTIONS + PARTS		120
Chair adapters, monitor posts + light posts	122	
Ancillary options	123	
Factory options + parts	124	
GENERAL INFORMATION		132
Ordering guide	132	
Dimensions	134	
Terms + warranty, sales reps and index	146	

designer friendly details

top it off
(enhance your paint and upholstery colors with one of three carbon fiber look finishes)

pamper your patient
(soft rich feeling, plush Ultraleather upholstery standard)



8 lustrous paint colors

(powder coat paint with a hard clear top coat that results in a brilliant and durable wet looking show car finish)



great neutrals

(laminated and solid work surface treatments)



- DESIGNER FRIENDLY2
 - Forest color consultant4
 - Surface treatments6
 - Color suggestions by Kate McKinney7
 - The Kate McKinney Collection8
- DELIVERY SYSTEMS WITHOUT CHAIR.....14
- PIVOT CHAIR MOUNT PACKAGES20
- FIXED CHAIR MOUNT WITH SIDEBOX PACKAGES36
- FIXED CHAIR MOUNT WITHOUT SIDEBOX PACKAGES.....52
- CHAIRS + STOOLS68
- LIGHTS + MONITOR MOUNT ASSEMBLIES74
- REAR + SIDE DELIVERY SYSTEMS82
- CARTS96
- CUSPIDORS106
- OPTIONAL DELIVERY SYSTEMS112
- FACTORY OPTIONS + PARTS.....120
- GENERAL INFORMATION.....132



CALL FOREST CUSTOMER SERVICE TO INQUIRE ABOUT YOUR DESIGNER FRIENDLY COLOR DISPLAY CASE 9000-007-DF

designer friendly

Dr. Kate McKinney, Forest Color Consultant

Kate is a cosmetic dentist with a strong flair and eye for design. She was ecstatic when she happened upon the Forest booth at the Oregon Dental Show 5 years ago. She was just finishing the interior design of her new clinic in Kirkland, Washington when she saw our paint color options. This was just what she needed to pull together the design of the entire office by not being limited to “computer monitor white” with her equipment. Long story short, she equipped with Forest and her practice has since won several national design awards. Recently, Dr. McKinney became our Designer Friendly Color Consultant helping us choose paint, carbon fiber and upholstery package combinations that work well together (see pages 7-13). But, Kate is quick to point out that there are a million and one combinations that work; “they are only limited by your imagination.”



Why designer friendly™?

“With Designer Friendly your dental equipment can really blend in with your interior design. I consider my clinic’s interior one of my strongest internal marketing components. Color is the key. With eight paints to choose from complimented by three carbon fiber look trim pieces and chrome accents, not to mention 20 modern Ultraleather upholstery colors, Forest can play a major role in taking your clinic to the next level. It is a fun place to work — my patients and staff never stop complimenting the space.”

– Dr. Kate McKinney, DDS,
www.dentistekirkland.com





WHAT EXACTLY IS DESIGNER FRIENDLY? IT'S ALL ABOUT PATIENT FRIENDLY. IT IS BEING ABLE TO CHOOSE A PAINT COLOR OTHER THAN WHITE FOR YOUR DENTAL EQUIPMENT SO THAT IT BLENDS INTO YOUR INTERIOR DESIGN. DESIGNER FRIENDLY MAKES DENTAL EQUIPMENT FUN TO LOOK AT.

DENTISTE



DR. MCKINNEY'S OFFICE IS EQUIPPED WITH THE FOLLOWING FOREST DENTAL PRODUCTS:

6300 CHAIR
8350 FIXED CHAIR MOUNT W/SIDEBOX
CONTOURED IC CONTROL HEAD
LIGHT POST
9045 LIGHT

POWDER COAT COLOR | BRONZE

CARBON FIBER | LEMANS

ULTRALEATHER | WALNUT

LAMINATE | GRAPHITE



CONTOURED IC / EURO / VALUE CONTROL HEAD

- carbon fiber control hoods
- powder coat paint delivery arms, brake handles and holder bars



STANDARD IC CONTROL HEAD

- powder coat paint control hood, delivery arms, brake handle and holder bars
- carbon fiber chassis



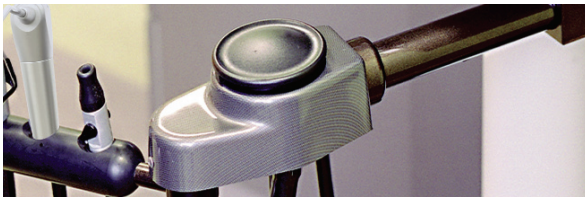
SIDEBOX

- carbon fiber housing cover
- powder coat paint steel frame



BASIC CUSPIDOR

- carbon fiber housing
- powder coat paint housing + positioning bar



ASSISTANT'S INSTRUMENTATION

- carbon fiber housing cover
- powder coat paint delivery arms



CHROME ACCENTS

- arm end caps (standard)
- unit accents (option): brake handles, holder bars
- cuspidor accents (option): cup fill spout, bowl rinse and holder bar bracket (see page 106)



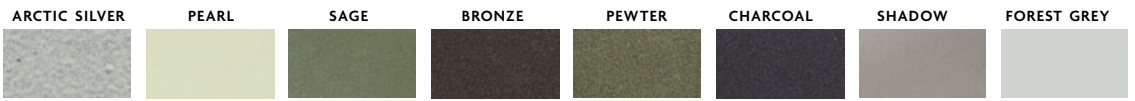
LAMINATE AND SOLID SURFACE (see page 132)

- 8 Corian solid surface choices
- 4 Gibraltar solid surface choices
- 7 Formica and WilsonArt laminate choices
- custom color option, including Quartz and Formica solid surface choices (call for pricing)

CarbonFiber Plastic Finish works with any color combination of powder coat paint & upholstery



Powder Coat Paint Colors (UNIT, LIGHT)



UPHOLSTERY COLOR CHOICES	Color Name	Powder Coat Paint Colors							
		ARCTIC SILVER	PEARL	SAGE	BRONZE	PEWTER	CHARCOAL	SHADOW	FOREST GREY
UltraleatherBrights	NEPTUNE	■	■			■	■	■	■
	PARROT	■			■		■	■	■
	SASSY	■			■		■	■	
	GRENADINE	■	■		■	■	■	■	■
UltraleatherNeutrals	BALTIC	■	■				■	■	
	DIPLOMAT BLUE	■			■		■	■	
	CHARCOAL	■			■	■	■	■	■
	RAVEN WING	■			■		■	■	■
	WALNUT		■		■	■		■	
	STONE	■	■				■	■	■
	PAPYRUS		■		■	■	■	■	■
	CACTUS		■	■	■			■	■
	DOVE GREY	■				■			■
	DOE		■	■		■			■
	UltraleatherPearlized	GREEN TEA		■	■		■		■
MICA			■		■		■	■	■
PEWTER				■		■	■	■	
MIDNIGHT			■			■	■	■	
UltraleatherRaffia	DURANGO		■	■		■		■	■
	NOCHE	■				■	■	■	

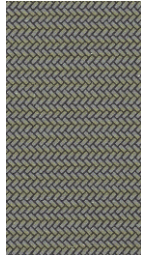
3900 Chair Colors GREY/SHADOW GREY GREY SHADOW SHADOW SHADOW SHADOW SHADOW GREY

designer friendly

prairie grass » the Kate McKinney Collection



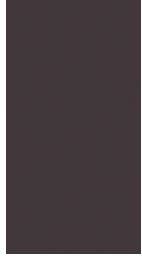
POWDER COAT
BRONZE



CARBON FIBER
LEMANS



UPHOLSTERY
ULTRALEATHER WALNUT



LAMINATES
GRAPHITE, FORMICA



SOLID WORK SURFACE
VINTAGE GREEN MICA, FORMICA
CUSTOM OPTION



FLOOR TREATMENT
HAVEN/URCHIN, SHAW GROUP



SHOWN WITH:

- 6300 CHAIR
- 8350 FIXED CHAIR MOUNT W/SIDEBOX
- CONTOURED IC CONTROL HEAD
- UNIT MOUNT TOUCHPAD
- SWIVEL TRAY
- UNIVERSAL HVE
- LIGHT POST
- MONITOR MOUNT ASSEMBLY
- 9045 LIGHT
- CHROME OPTION, UNIT





SHOWN WITH:
 3900 CHAIR, SHADOW
 4118 FIXED CHAIR MOUNT W/SIDEBOX
 VALUE CONTROL HEAD
 UNIT MOUNT TOUCHPAD
 SWIVEL TRAY
 UNIVERSAL HVE
 LIGHT POST
 MONITOR MOUNT ASSEMBLY
 9080 LIGHT

POWDER COAT
BRONZE

CARBON FIBER
LASER LEATHER

UPHOLSTERY
ULTRALEATHER MIDNIGHT

LAMINATES
GRAPHITE, FORMICA

SOLID WORK SURFACE
MINERAL MICA, FORMICA
 CUSTOM OPTION

FLOOR TREATMENT
REED/MOUNTAIN STREAM, SHAW GROUP



designer friendly

raven wing » the Kate McKinney Collection



POWDER COAT
CHARCOAL



CARBON FIBER
GREYWOOD



UPHOLSTERY
ULTRALEATHER RAVEN WING



LAMINATES
GRAPHITE, FORMICA



SOLID WORK SURFACE
**BLACK LAVA, FORMICA
CUSTOM OPTION**

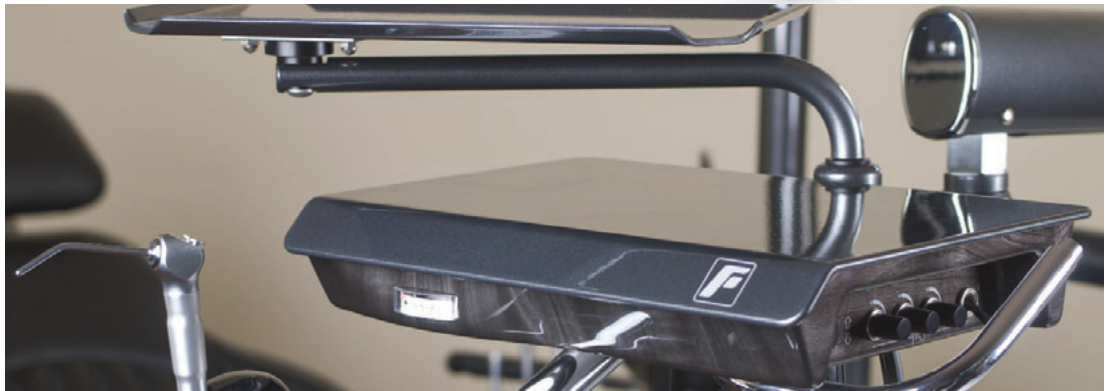


FLOOR TREATMENT
HAVEN/TANGERINE, SHAW GROUP



SHOWN WITH:

- 6300 CHAIR
- 8300 FIXED CHAIR MOUNT W/SIDEBOX
- STANDARD IC CONTROL HEAD
- CHAIR MOUNT TOUCHPAD
- SWIVEL TRAY
- UNIVERSAL HVE
- DELUXE CUSPIDOR
- LIGHT POST
- 9080 LIGHT
- CHROME OPTION, UNIT & CUSPIDOR





SHOWN WITH:

- 3900 CHAIR, SHADOW
- 4585 PIVOT CHAIR MOUNT
- CONTOURED IC CONTROL HEAD
- CHAIR MOUNT TOUCHPAD
- SWIVEL TRAY
- BIEN-AIR ELECTRIC HANDPIECE
- SATELEC CURING LIGHT
- AIR-TECHNIQUES CAMERA
- 1090 ASSISTANT'S INSTRUMENTATION
- UNIVERSAL HVE
- LIGHT POST
- MONITOR MOUNT ASSEMBLY
- 9045 LIGHT
- CHROME OPTION, UNIT

POWDER COAT
PEWTER

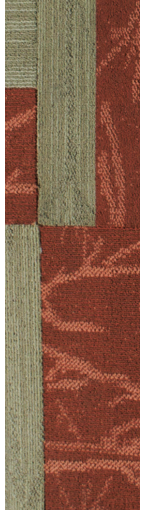
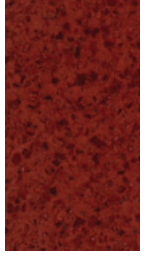
CARBON FIBER
GREY WOOD

UPHOLSTERY
ULTRALEATHER
GRENAADINE

LAMINATES
SHADOW, FORMICA

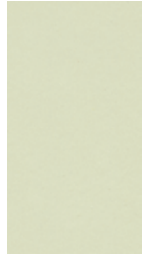
SOLID WORK SURFACE
COPPER ARTIFACTS, FORMICA
CUSTOM OPTION

FLOOR TREATMENT
VIVID SHADOW/MODERN COCKTAIL, SHAW GROUP

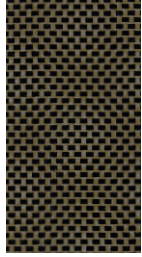


designer friendly

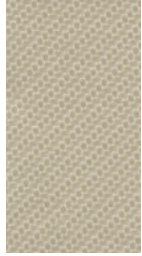
wheat fields » the Kate McKinney Collection



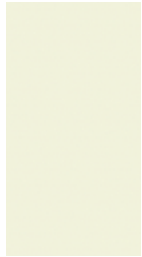
POWDER COAT
PEARL



CARBON FIBER
LASER LEATHER



UPHOLSTERY
RAFFIA DURANGO



LAMINATES
ALMOND



SOLID SURFACE
PEARL MICA, FORMICA
CUSTOM OPTION



FLOOR TREATMENT
TRES CHIC/POP DIVA, SHAW GROUP



SHOWN WITH:

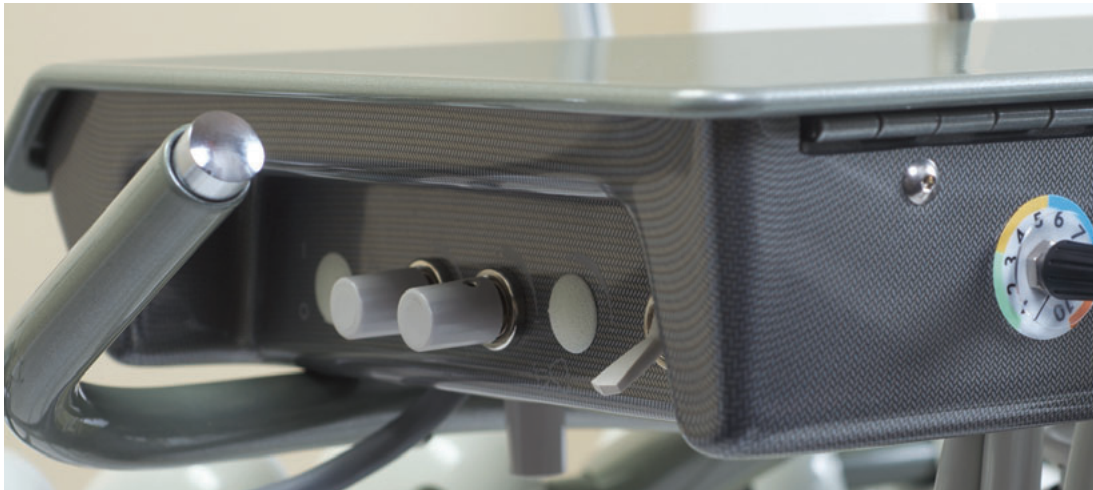
- 3900 CHAIR, FOREST GREY
- 4548 FIXED CHAIR MOUNT W/O SIDEBOX
- STANDARD HYGIENIST IC CONTROL HEAD
- UNIT MOUNT TOUCHPAD
- SWIVEL TRAY
- UNIVERSAL HVE
- BASIC CUSPIDOR
- LIGHT POST
- MONITOR MOUNT ASSEMBLY
- 9080 LIGHT





SHOWN WITH:

- 3900 CHAIR, FOREST GREY
- 4495 PIVOT CHAIR MOUNT
- STANDARD HYGIENIST IC CONTROL HEAD
- UNIT MOUNT TOUCHPAD
- SATELEC SCALER
- SWIVEL TRAY
- UNIVERSAL HVE



POWDER COAT
SAGE

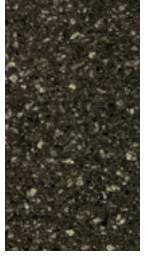
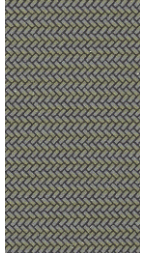
CARBON FIBER
LEMANS

UPHOLSTERY
GREEN TEA

LAMINATES
GRAPHITE, FORMICA

SOLID SURFACE
BOTANICAL MOSAIC, FORMICA
CUSTOM OPTION

FLOOR TREATMENT
ECHO/EFFERVESCENCE, SHAW GROUP



control head details

STANDARD IC

EXTERIOR:

- HOOD – 8 POWDER COAT CHOICES
- CHASSIS – 3 CARBON FIBER CHOICES OR FOREST GREY
- BRAKE HANDLE AND HOLDER BAR – 8 POWDER COAT CHOICES
- CHROME OPTION

INTERIOR:

- 3 STANDARD AND MAX 5 HANDPIECE POSITIONS
- ONE 3-WAY AIR/WATER SYRINGE WITH PRESS-RELEASE TIP
- ACCOMMODATES ANCILLARY PRODUCTS
- HYGIENIST OPTION



SHOWN WITH CHROME OPTION

CONTOURED IC

EXTERIOR:

- HOOD AND CHASSIS – 3 CARBON FIBER CHOICES OR FOREST GREY
- BRAKE HANDLE AND HOLDER BAR – 8 POWDER COAT CHOICES
- CHROME OPTION

INTERIOR:

- 3 STANDARD AND MAX 5 HANDPIECE POSITIONS
- ONE 3-WAY AIR/WATER SYRINGE WITH PRESS-RELEASE TIP
- ACCOMMODATES ANCILLARY PRODUCTS



SHOWN WITH OPTIONAL UNIT TOUCHPAD, CHROME OPTION

EURO

EXTERIOR:

- HOOD – 3 CARBON FIBER CHOICES OR FOREST GREY
- WHIP ARMS, BRAKE HANDLES AND TRAY HOLDER – 8 POWDER COAT CHOICES
- CHROME OPTION

INTERIOR:

- 4 STANDARD HANDPIECE POSITIONS
- ONE 3-WAY AIR/WATER SYRINGE WITH PRESS-RELEASE TIP
- CENTER PIVOT POINT ON MOUNTING ARM
- WHIPS WITH FORWARD MOUNTED PIVOT POINTS
- HANDPIECE BAR ACCOMMODATES EXTRA HOLDER FOR ANCILLARY PRODUCTS
- STANDARD SWIVEL INSTRUMENT TRAY



SHOWN WITH OPTIONAL UNIT TOUCHPAD

VALUE

EXTERIOR:

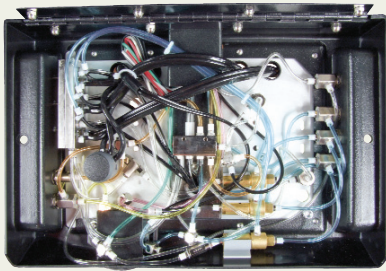
- HOOD – 3 CARBON FIBER CHOICES OR FOREST GREY
- BRAKE HANDLE AND HOLDER BAR – 8 POWDER COAT CHOICES
- CHROME OPTION

INTERIOR:

- 3 STANDARD AND MAX 4 HANDPIECE POSITIONS
- ONE 3-WAY AIR/WATER SYRINGE WITH PRESS-RELEASE TIP
- ACCOMMODATES ANCILLARY PRODUCTS
- HYGIENIST OPTION



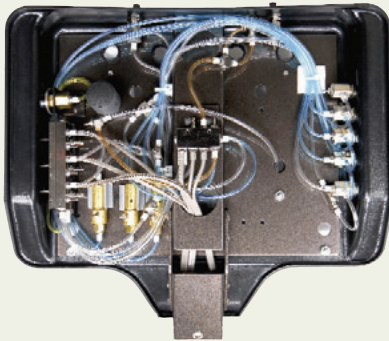
SHOWN WITH OPTIONAL UNIT TOUCHPAD



WHAT'S UNDER THE HOOD

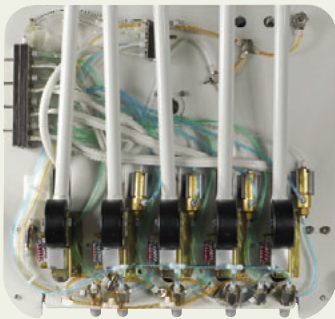
Pneumatic master control block

Thick brass cap prevents warping. No water in the block for superb reliability and trouble-free life.



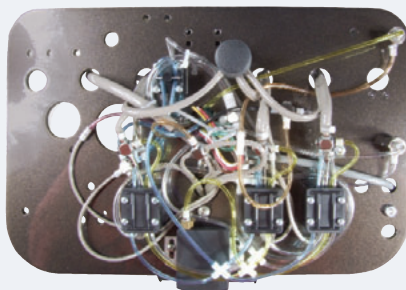
air/water coolant valves

Supports modern handpieces with super accurate coolant spray



Lifetime warranty under the hood

handpiece control blocks
handpiece manifolds
diaphragms
water relay valves
needle control valves
toggle valves
shuttle valves
check valves



Pinch master control blocks

A less expensive but just as reliable alternative to pneumatic block

Air/water coolant valves

Industry standard

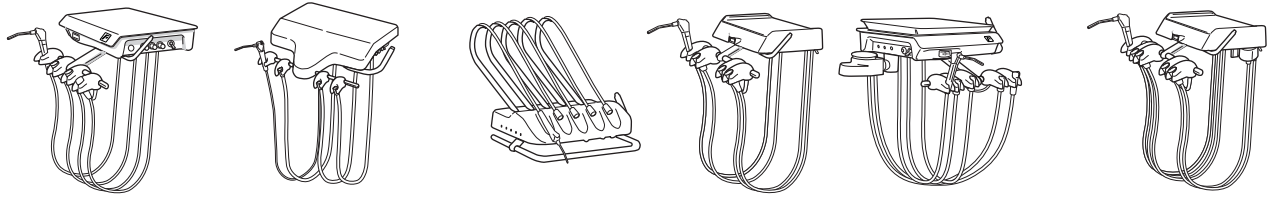
Lifetime warranty
Everything under the hood

DESIGNER FRIENDLY	2
DELIVERY SYSTEMS WITHOUT CHAIR.....	14
Fixed chair mount with sidebox	16
Fixed chair mount without sidebox	18
PIVOT CHAIR MOUNT PACKAGES	20
FIXED CHAIR MOUNT WITH SIDEBOX PACKAGES	36
FIXED CHAIR MOUNT WITHOUT SIDEBOX PACKAGES.....	52
CHAIRS + STOOLS	68
LIGHTS + MONITOR MOUNT ASSEMBLIES	74
REAR + SIDE DELIVERY SYSTEMS	82
CARTS	96
CUSPIDORS.....	106
OPTIONAL DELIVERY SYSTEMS	112
FACTORY OPTIONS + PARTS.....	120
GENERAL INFORMATION.....	132

delivery systems without chair

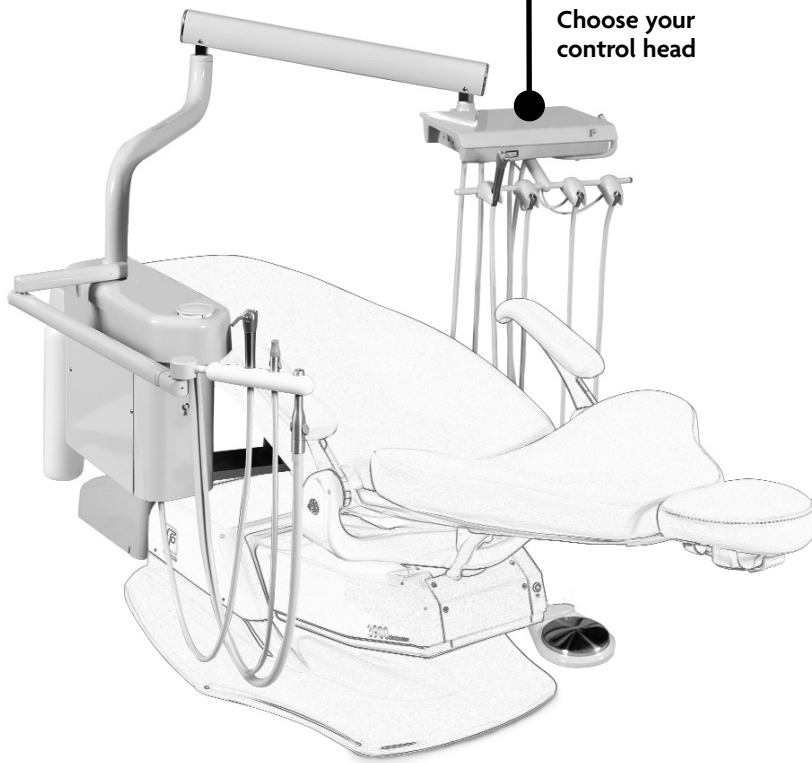
fixed chair mount with sidebox

* vacuum located on control head in lieu of telescoping arm



MODEL	8300 Standard IC	8350 Contoured IC	8807 Euro	4118 Value	4455 Hygienist IC *	4158 Value Hygienist *
PRICE	\$ 6,400	\$ 6,400	\$ 7,250	\$ 5,250	\$ 6,300	\$ 5,150
STANDARD FEATURES <i>(additional information, pg 14)</i>	pneumatic, 3 HP, syringe	pneumatic, 3 HP, syringe	pneumatic, 4 HP, syringe	pinch, 3 HP, syringe	pneumatic, 2 HP, syringe, HVE, SE	pinch, 2 HP, syringe, HVE, SE
PACKAGE EXAMPLE	page 40	page 42	page 44	page 46	page 48	page 50

DELIVERY SYSTEMS can be used on any brand of chair



Choose your control head

ADD EQUIPMENT:

Choose one:

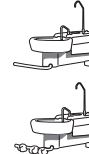
Cuspidor, Deluxe



1577

1576

Cuspidor, Basic

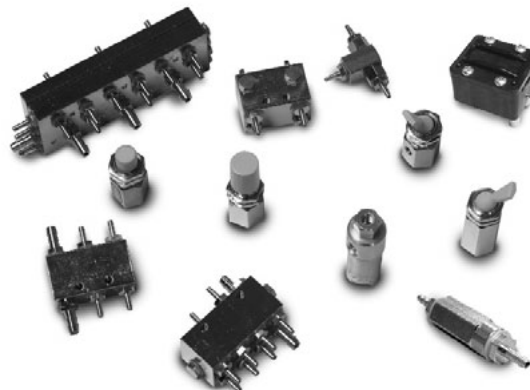


1677

1676

Lifetime warranty under hood:

- handpiece control blocks
- handpiece manifolds
- diaphragms
- water relay valves
- needle control valves
- toggle valves
- shuttle valves
- check valves



STANDARD FEATURES

DELIVERY SYSTEM

Choice of Control Head

Automatic control for handpieces

- asepsis 3-way air/water syringe w/tubing, 4'
- handpiece tubing, 4-hole Midwest, asepsis style, 4'
- master control block (with pneumatic or pinch valves)
- master on/off
- individual handpiece pressure adjustment
- individual water coolant adjustment
- non-retraction water coolant with on/off
- air coolant adjustment
- handpiece flush
- handpiece exhaust filter/oil collector
- single handle brake release function
- wet/dry foot control

Flexible control arm with pneumatic brake
vertical travel 28" / horizontal travel 62"

Sidebox with self-contained clean water system
dual bottles, 1½ liters each
electrical outlet/UL

Telescoping arm with swivel quad holder bar

Central vacuum accessory package

- central vacuum canister w/disposable solids collector
- asepsis 3-way air/water syringe w/tubing, 5'
- autoclavable standard HVE lever valve w/tubing, 5'
- autoclavable saliva ejector lever valve w/tubing, 5'

External umbilical, 5'

Deluxe utility center

- contoured housing and cover
- air pressure regulator with filter
- master air shut-off valve

➡ Chair adapter, fixed (specify chair make/model)

Lifetime warranty under hood:

- handpiece control blocks, handpiece manifolds,
- diaphragms, water relay/needle control/toggle
- & check valves. Serial number required.

CUSPIDOR, DELUXE 1577/1576

One-piece ceramic bowl w/touch lever water activator

Automatic cup fill

Timed bowl rinse

1576 includes:

- Swivel assistant's quad holder bar in lieu of telescoping arm

CUSPIDOR, BASIC 1677/1676

Removable glass bowl, 8" diameter

Manual cup fill

Timed bowl rinse

1676 includes:

- Individual assistant's instrumentation holders in lieu of telescoping arm

(see page 108-111 for additional cuspidor information)

FACTORY OPTIONS

	PART NO	RETAIL	PRICE
DELIVERY SYSTEM	MODEL CHOICE _____		PRICE : _____
Handpiece illumination system			
one handpiece (5-hole), accommodates 1 add'l tubing	1700-012-CS	\$ 265	_____
add'l handpiece illumination tubing (5-hole)	0017-694-CS	220	_____
one handpiece (6-pin), accommodates 1 add'l tubing	1700-017-CS	265	_____
add'l handpiece illumination tubing (6-pin)	0017-994-CS	220	_____
(1) time delay kit per hp illumination tubing	0014-122	160	_____
Additional handpiece position, wet	1100-189-CS	385	_____
Additional handpiece position, air drive only	1100-190-CS	185	_____
Less handpiece position	1700-099-CS	- 100	_____
Less handpiece position (euro)	1700-199-CS	- 175	_____
Air-electric switch	0014-085	30	_____
Heated syringe conversion kit (1) per syringe	1107-450-CS	285	_____
Additional brake handle activation (left) (euro standard)	0023-642-CS	125	_____
Swivel tray, arm mounted (euro standard)	1110-468	300	_____
Self-contained clean water system,			
single bottle, 1½ liter in lieu of dual bottle	1700-201-CS	- 100	_____
Less self-contained clean water system, dual bottle	1700-221-CS	- 200	_____
Universal HVE in lieu of standard	1400-207-CS	N/C	_____
Additional autoclavable standard HVE			
w/tubing, 5' & autoclavable oral dry cup	1400-113-CS	75	_____
Additional autoclavable universal HVE			
w/tubing, 5' & autoclavable oral dry cup	1400-119-CS	75	_____
Quick disconnect w/flow control 1/4" (for water)	0016-454-CS	90	_____
Quick disconnect w/flow control 3/8" (for air)	0016-456-CS	90	_____
Electric vacuum activation	1400-199-CS	200	_____
Less telescoping arm and assistant's instrumentation	1400-000-CS	- 350	_____
Standard utility center in lieu of deluxe	1115-001-CS	- 150	_____
Additional umbilical (per foot)	1115-999-CS	30	_____
Without chair adapter	1115-099-CS	- 150	_____
Durr amalgam separator ready (separator not included)	1400-270-CS	200	_____
Chrome accents (see page 6)	9000-998-CS	120	_____
Bien-Air Optima MX INT electric handpiece controlBIEN-AIR	3995	_____
Bien-Air Optima MX INT dual electric handpiece controlBIEN-AIR-D	6375	_____
Satelec LED mini curing lightSATELEC-CL	1425	_____
Satelec SP Newtron piezo/LED piezo scalerSATELEC-S/SATELEC-S-LED	1730/2220	_____
Air-Techniques Polaris intraoral cameraAIRTECH-C	4995	_____
CUSPIDOR, DELUXE	<input type="radio"/> 1576 <input type="radio"/> 1577	1300	_____
or BASIC	<input type="radio"/> 1676 <input type="radio"/> 1677	750	_____
Vacuum drain cuspidor	1400-115	375	_____
Deluxe remote unit mount activation (1576, 1577)	1100-480-CS	175	_____
Chrome accents (see page 6)	9000-999-CS	120	_____
➡ Light post, 44" (specify light make/model)	1110-998-CS	180	_____
Monitor mount assembly (monitor not included) (see page 80)			
Ring mount (used with light post)	1331RM	740	_____
Top post mount (used with monitor post)	1331TPM	740	_____
Monitor post (for top post mount)	1331-998-CS	180	_____

TOTAL _____



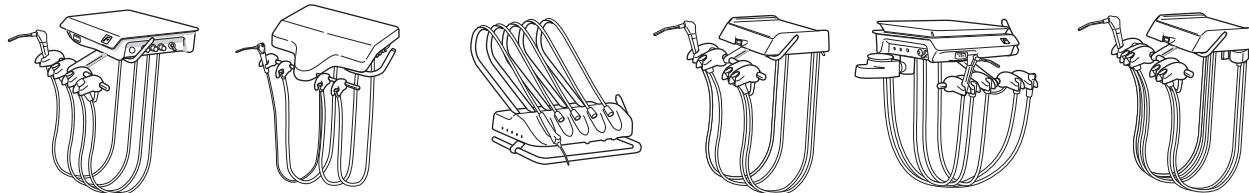
DESIGNER FRIENDLY™ SURFACE TREATMENTS (N/C) (see page 6 & 7)

Unit plastic finishes:	<input type="radio"/> Forest Grey	<input type="radio"/> Lemans (carbon fiber)	<input type="radio"/> Laser Leather (carbon fiber)	<input type="radio"/> Greywood (carbon fiber)
Powder coat paint for Unit	<input type="radio"/> Forest Grey	<input type="radio"/> Shadow	<input type="radio"/> Pearl	<input type="radio"/> Charcoal
	<input type="radio"/> Pewter	<input type="radio"/> Sage	<input type="radio"/> Bronze	<input type="radio"/> Arctic Silver

delivery systems without chair

fixed chair mount without sidebox

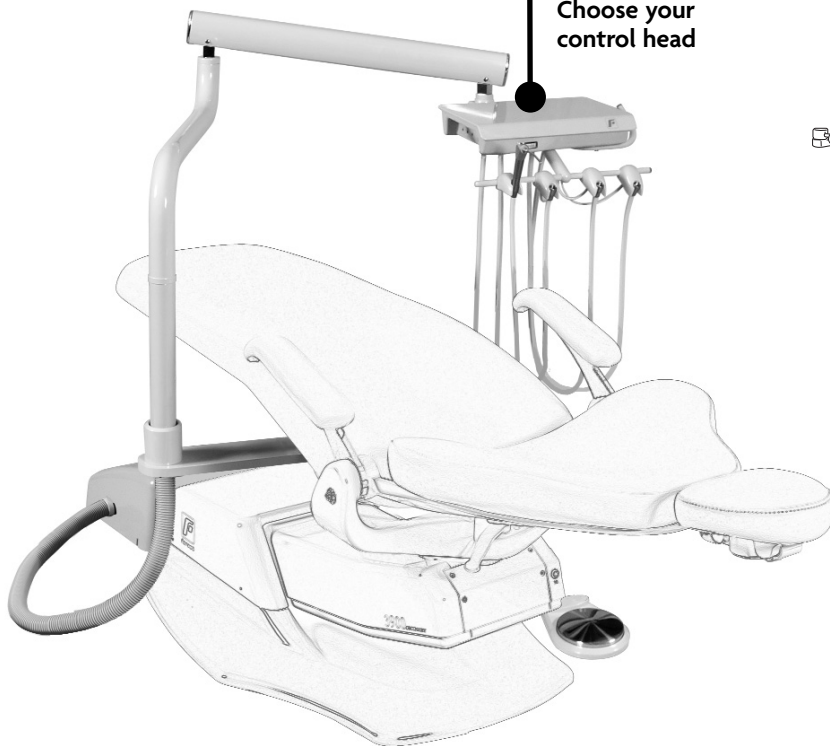
* vacuum located on control head



MODEL	4338 Standard IC	8138 Contoured IC	4167 Euro	4124 Value	4548 Hygienist IC *	4558 Value Hygienist *
PRICE	\$ 4,535	\$ 4,535	\$ 5,385	\$ 3,385	\$ 5,070	\$ 3,920
STANDARD FEATURES <i>(additional information, pg 14)</i>	pneumatic, 3 HP, syringe	pneumatic, 3 HP, syringe	pneumatic, 4 HP, syringe	pinch, 3 HP, syringe	pneumatic, 2 HP, syringe, HVE, SE	pinch, 2 HP, syringe, HVE, SE
PACKAGE EXAMPLE	page 56	page 58	page 60	page 62	page 64	page 66

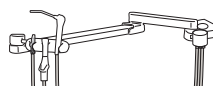
DELIVERY SYSTEMS can be used on any brand of chair

Choose your control head



ADD EQUIPMENT:

Choose one:



Assistant's Instrumentation

1075

Cuspidor, Deluxe

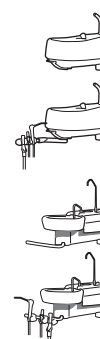
1570

1575

Cuspidor, Basic

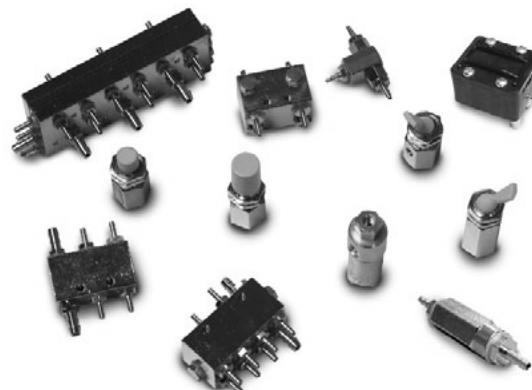
1630

1635



Lifetime warranty under hood:

- handpiece control blocks
- handpiece manifolds
- diaphragm
- water relay valves
- needle control valves
- toggle valves
- shuttle valves
- check valves



STANDARD FEATURES

DELIVERY SYSTEM

Choice of Control Head
 Automatic control for handpieces
 asepsis 3-way air/water syringe w/tubing, 5'
 handpiece tubing, 4-hole Midwest, asepsis style, 5'
 master control block (with pneumatic or pinch valves)
 master on/off
 individual handpiece pressure adjustment
 individual water coolant adjustment
 non-retraction water coolant with on/off
 air coolant adjustment
 handpiece flush
 handpiece exhaust filter/oil collector
 single handle brake release function
 self-contained clean water system, single bottle 1½ liter
 wet/dry foot control
 Flexible control arm with pneumatic brake
 vertical travel 28" / horizontal travel 62"
 External umbilical, 5'
 Deluxe utility center
 air pressure regulator with filter
 master air shut-off valve
 ⇨ Chair adapter, fixed (specify chair make/model)
 Lifetime warranty under hood:
 handpiece control blocks, handpiece manifolds,
 diaphragms, water relay valves, needle control valves,
 toggle valves, shuttle valves, check valves

ASSISTANT'S INSTRUMENTATION 1075

Central vacuum accessory package
 central vacuum canister w/disposable solids collector
 asepsis 3-way air/water syringe w/tubing, 5'
 autoclavable standard HVE lever valve w/tubing, 5'
 autoclavable saliva ejector lever valve w/tubing, 5'
 external umbilical
 Post mount, 2"

(see page 118-119 for additional information)

CUSPIDOR, DELUXE 1570/1575

One-piece ceramic bowl w/touch lever water activator
 Automatic cup fill
 Timed bowl rinse
 1575 includes:
 Swivel assistant's quad holder bar
 Assistant's instrumentation

CUSPIDOR, BASIC 1630/1635

Removable glass bowl, 8" diameter
 Manual cup fill
 Timed bowl rinse
 External umbilical, 5'
 Post mount, 2"
 1635 includes:

Individual assistant's instrumentation holders
 Assistant's instrumentation

(see page 108-111 for additional cuspidor information)

FACTORY OPTIONS

	PART NO	RETAIL	PRICE
DELIVERY SYSTEM	MODEL CHOICE		PRICE : _____
Handpiece illumination system			
one handpiece (5-hole), accommodates 1 add'l tubing	1700-012-CS	\$ 265	_____
add'l handpiece illumination tubing (5-hole)	0017-694-CS	220	_____
one handpiece (6-pin), accommodates 1 add'l tubing	1700-017-CS	265	_____
add'l handpiece illumination tubing (6-pin)	0017-994-CS	220	_____
(1) time delay kit per hp illumination tubing	0014-122	160	_____
Additional handpiece position, wet	1100-189-CS	385	_____
Additional handpiece position, air drive only	1100-190-CS	185	_____
Less handpiece position	1700-099-CS	- 100	_____
Less handpiece position (euro)	1700-199-CS	- 175	_____
Air-electric switch	0014-085	30	_____
Heated syringe conversion kit (1) per syringe	1107-450-CS	285	_____
Quick disconnect w/flow control 1/4" (for water)	0016-454-CS	90	_____
or Quick disconnect w/flow control 3/8" (for air)	0016-456-CS	90	_____
Additional brake handle activation (left) (euro standard)	0023-642-CS	125	_____
Swivel tray, arm mounted (euro standard)	1110-468	300	_____
Standard utility center in lieu of deluxe	1115-001-CS	- 150	_____
Additional umbilical (per foot)	1115-999-CS	30	_____
Without chair adapter	1115-099-CS	- 150	_____
Chrome accents (see page 6)	9000-998-CS	120	_____
Bien-Air Optima MX INT electric handpiece controlBIEN-AIR	3995	_____
Bien-Air Optima MX INT dual electric handpiece controlBIEN-AIR-D	6375	_____
Satelec LED mini curing lightSATELEC-CL	1425	_____
Satelec SP Newtron piezo/LED piezo scalerSATELEC-S/SATELEC-S-LED	1730/2220	_____
Air-Techniques Polaris intraoral cameraAIRTECH-C	4995	_____
ASSISTANT'S INSTRUMENTATION1075	725	_____
Electric vacuum activation1400-199-CS	200	_____
Universal HVE in lieu of standard1400-207-CS	N/C	_____
Additional autoclavable standard HVE			
w/tubing, 5' & autoclavable oral dry cup1400-113-CS	75	_____
CUSPIDOR, DELUXE	○ 1570	1755	_____
with assistant's instrumentation	○ 1575	2145	_____
BASIC	○ 1630	1005	_____
with assistant's instrumentation	○ 1635	1395	_____
Vacuum drain cuspidor1400-115	375	_____
Electric vacuum activation (1575, 1635)1400-199-CS	200	_____
Universal HVE in lieu of standard1400-207-CS	N/C	_____
Additional autoclavable standard HVE			
w/tubing, 5' & autoclavable oral dry cup (1575, 1635)1400-113-CS	75	_____
Deluxe remote unit mount activation (1570, 1575)1100-480-CS	175	_____
Chrome accents (see page 6)9000-999-CS	120	_____
⇨ Light post, 35" (specify light make/model)1110-998-I-CS	230	_____
Monitor mount assembly (monitor not included) (see page 80)			
Ring mount (used with light post)1331RM	740	_____
Top post mount (used with monitor post)1331TPM	740	_____
Monitor post (for top post mount)1331-997	230	_____

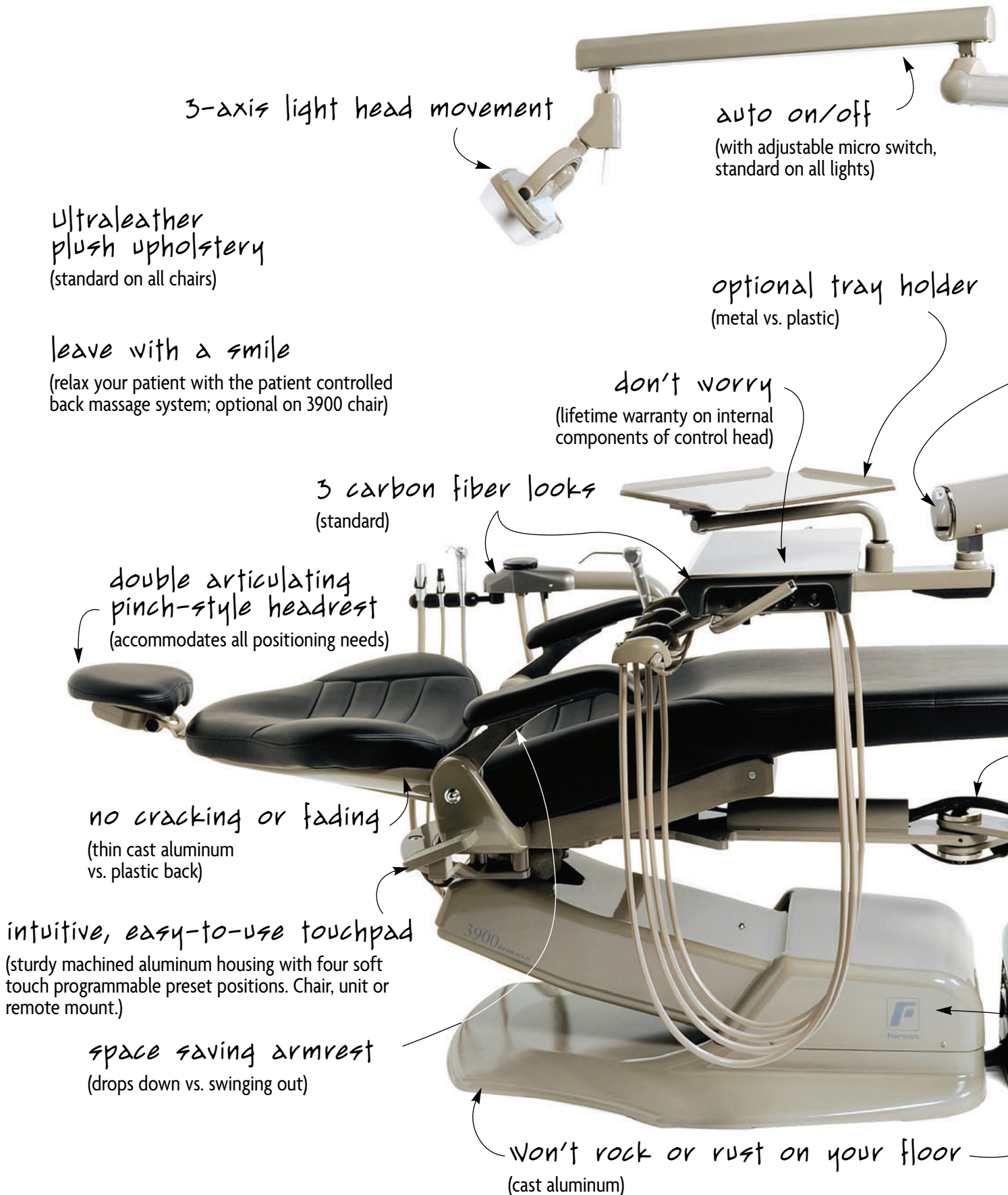
TOTAL _____



DESIGNER FRIENDLY™ SURFACE TREATMENTS (N/C) (see page 6 & 7)

Unit plastic finishes:	<input type="radio"/> Forest Grey	<input type="radio"/> Lemans <small>(carbon fiber)</small>	<input type="radio"/> Laser Leather <small>(carbon fiber)</small>	<input type="radio"/> Greywood <small>(carbon fiber)</small>
Powder coat paint for Unit	<input type="radio"/> Forest Grey	<input type="radio"/> Shadow	<input type="radio"/> Pearl	<input type="radio"/> Charcoal
	<input type="radio"/> Pewter	<input type="radio"/> Sage	<input type="radio"/> Bronze	<input type="radio"/> Arctic Silver

affordable excellence details





8 lustrous paint colors
(standard on delivery systems and lights)

factory installed
ancillary products
(like Bien-Air electric handpiece
control, Satelec ultrasonic scaler,
curing light or Air-Techniques
intraoral camera)

caps won't crack or fade
(standard billet aluminum,
chrome end caps)

personalize your
arm movement
(Teflon bushings with
friction adjustments)

precision engineering
(needle bearings with friction adjustment)

no distortion, great
fit & quality feel
(thick pressure-formed vs
thin vacuum-formed plastic)

2 lustrous paint colors
(Forest Grey and Shadow standard on 3900 chair)

DESIGNER FRIENDLY	2
DELIVERY SYSTEMS WITHOUT CHAIR	14
PIVOT CHAIR MOUNT PACKAGES	20
Build a custom package	22
Sample packages	24
Standard IC control head.....	24
Contoured IC control head.....	26
Euro control head.....	28
Value control head.....	30
Hygienist IC control head	32
Hygienist Value control head.....	34
FIXED CHAIR MOUNT WITH SIDEBOX PACKAGES	36
FIXED CHAIR MOUNT WITHOUT SIDEBOX PACKAGES.....	52
CHAIRS + STOOLS	68
LIGHTS + MONITOR MOUNT ASSEMBLIES	74
REAR + SIDE DELIVERY SYSTEMS	82
CARTS	96
CUSPIDORS.....	106
OPTIONAL DELIVERY SYSTEMS	112
FACTORY OPTIONS + PARTS.....	120
GENERAL INFORMATION.....	132

SHOWN WITH:

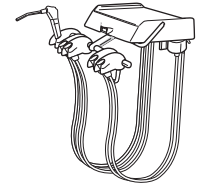
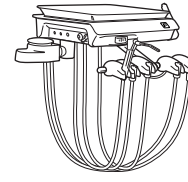
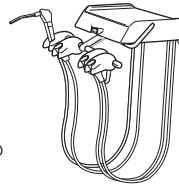
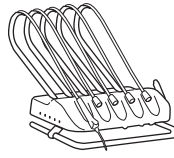
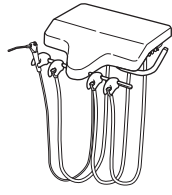
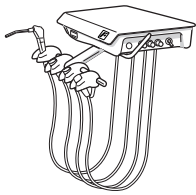
- 3900 CHAIR, SHADOW
- 4485 PIVOT CHAIR MOUNT
- STANDARD IC CONTROL HEAD
- CHAIR MOUNT TOUCHPAD
- 1090 ASSISTANT'S INSTRUMENTATION
- SWIVEL TRAY
- 9080 LIGHT

- UPHOLSTERY | RAVEN WING
- POWDER COAT | SHADOW
- UNIT PLASTIC | LEMANS CARBON FIBER

pivot chair mount packages

build a custom package

* vacuum located on control head



MODEL	4485 Standard IC	4585 Contoured IC	4987 Euro	4195 Value	4495 Hygienist IC *	4458 Value Hygienist *
PRICE	\$ 5,280	\$ 5,280	\$ 6,130	\$ 4,130	\$ 5,700	\$ 4,550
STANDARD FEATURES <i>(additional information, pg 14)</i>	pneumatic, 3 HP, syringe	pneumatic, 3 HP, syringe	pneumatic, 4 HP, syringe	pinch, 3 HP, syringe	pneumatic, 2 HP, syringe, HVE, SE	pinch, 2 HP, syringe, HVE, SE
PACKAGE EXAMPLE	page 24	page 26	page 28	page 30	page 32	page 34

PIVOT DELIVERY SYSTEMS can only be used with Forest chairs

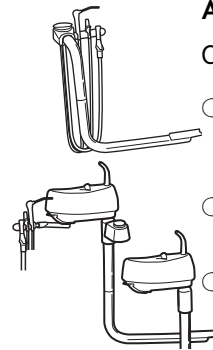


Choose your control head

ADD EQUIPMENT:

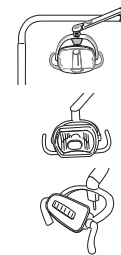
Choose one:

- 1090 Assistant's Instrumentation, Pivot
- 1590 Cuspidor, Pivot
- 1580 Cuspidor, Pivot



Choose one:

- 9045 Light
- 9080 Light
- 9070 LED Light



Light post sold separately. See page 74 for other light applications.

Choose one:

- 3900 Chair, Hydraulic, Plush
- 3900 Chair, Hydraulic, Asepsis



Choose any:

- 6126C Stool, Doctor
- 6147C Stool, Assistant's
- 6137C Stool, Assistant's



BUILD YOUR CUSTOM PACKAGE, THEN CALCULATE YOUR PRICE ▶▶▶

OR CHOOSE FROM OUR EXAMPLE PACKAGES - see pages 24-35

pivot chair mount packages

package 1 | standard IC control head

BASE PACKAGE

\$ 15,335

- 4485 DELIVERY SYSTEM
- 3900 Chair
- 9080 Light & Post
- 6126C Dr's Stool
- 6137C Assistant's Stool

AS SHOWN PACKAGE

\$ 15,635

- ADDITIONALLY EQUIPPED WITH:
- Unit Mount Touchpad
 - Arm Mounted Swivel Tray



Lifetime warranty under hood:

handpiece control blocks, handpiece manifolds, diaphragms, water relay valves, needle control valves, toggle valves, shuttle valves, check valves

Upholstery color swatches, see page 7
Designer Friendly™ color swatches, see page 7
Equipment dimensions, see pages 134

Shipping weight estimate:
delivery unit & chair 445 lb / 203 kg
base package 556 lb / 257 kg
as shown package 561 lb / 254 kg

POPULAR EQUIPMENT CHOICES



ADD CUSPIDOR 1590
base \$18,260
as shown \$18,560



ADD ASSISTANT'S
INSTRUMENTATION 1090
base \$16,560
as shown \$16,860



ADD MONITOR MOUNT 1331RM
base \$16,075
as shown \$16,375

STANDARD FEATURES

DELIVERY SYSTEM 4485

Automatic control for three handpieces
 asepsis 3-way air/water syringe w/tubing, 4' handpiece tubing, 4-hole Midwest, asepsis style, 4' pneumatic master control block w/diaphragm master on/off
 individual handpiece pressure adjustment
 individual water coolant adjustment
 non-retraction water coolant with on/off air/water coolant adjustment
 handpiece flush
 handpiece exhaust filter/oil collector
 dual handle brake release function
 self-contained clean water system, single bottle 1½ liter wet/dry foot control
 Flexible control arm with pneumatic brake vertical travel 28" / horizontal travel 62"
 Internal umbilical, 5' with 3' external from chair to utility center
 Contoured utility center
 air pressure regulator with filter
 master air shut-off valve
 Chair adapter, pivot
 Lifetime warranty under hood:
 handpiece control blocks, handpiece manifolds, diaphragms, water relay valves, needle control valves, toggle valves, shuttle valves, check valves

ASSISTANT'S INSTRUMENTATION, REAR PIVOT 1090

Central vacuum accessory package
 central vacuum canister w/disposable solids collector
 asepsis 3-way air/water syringe w/tubing, 5' autoclavable standard HVE lever valve w/tubing, 5' autoclavable saliva ejector lever valve w/tubing, 5'
 Internal umbilical, 5' with 3' external
 Rear chair pivot mount

CUSPIDOR, REAR PIVOT 1590

One-piece ceramic bowl w/touch lever water activator
 Automatic cup fill
 Timed bowl rinse
 Swivel assistant's quad holder bar
 Assistant's instrumentation
 central vacuum canister w/disposable solids collector
 asepsis 3-way air/water syringe w/tubing, 5' autoclavable standard HVE lever valve w/tubing, 5' autoclavable saliva ejector lever valve w/tubing, 5'
 Swing away or over patient's lap
 Internal umbilical, 5' with 3' external
 Rear chair pivot mount

LIGHT, HALOGEN 9080

3-Axis light head movement
 Automatic on/off activation with override
 Color shade matching
 temperature setting 4200K to 5500K
 Shadow free illumination

CHAIR, HYDRAULIC 3900

Ultraleather upholstery with wide back for elbow support
 Double articulating pinch-style headrest
 Thin back with full lumbar support
 Right/left patient access
 Swing-down locking armrests
 Hydraulic cantilever mechanism
 Emergency shut-off
 30 degree base rotation with lock
 Multifunction touchpad w/4 programmable preset positions
 Seat height: minimum 17" maximum 29"

FACTORY OPTIONS

DELIVERY SYSTEM W/STANDARD IC * 4485 \$ 5280

Handpiece illumination system		
one handpiece (5-hole), accommodates 1 add'l tubing1700-012-CS	265
add'l handpiece illumination tubing (5-hole)0017-694-CS	220
one handpiece (6-pin), accommodates 1 add'l tubing1700-017-CS	265
add'l handpiece illumination tubing (6-pin)0017-994-CS	220
(I) time delay kit per hp illumination tubing0014-122	160
Additional handpiece position, wet1100-189-CS	385
Additional handpiece position, air drive only1100-190-CS	185
Less handpiece position1700-099-CS	-100
Heated syringe conversion kit (I) per syringe1107-450-CS	285
Quick disconnect w/flow control 1/4" (for water)0016-454-CS	90
or Quick disconnect w/flow control 3/8" (for air)0016-456-CS	90
Swivel tray, * arm mounted (over control head)1110-468	300
Touchpad * unit mount for 3900 chair1700-081-CS	450
Standard utility center in lieu of contoured or deluxe1115-001-CS	-150
Additional umbilical (per foot)1115-999-CS	30
Chrome accents (see page 6)9000-998-CS	120
Bien-Air Optima MX INT electric handpiece controlBIEN-AIR	3995
Bien-Air Optima MX INT dual electric handpiece controlBIEN-AIR-D	6375
Satelec LED mini curing lightSATELEC-CL	1425
Satelec SP Newtonron piezo/LED piezo scalerSATELEC-S/SATELEC-S-LED	1730/2220
Air-Techniques Polaris intraoral cameraAIRTECH-C	4995
ASSISTANT'S INSTRUMENTATION, REAR PIVOT○ 1090	1225
or CUSPIDOR, REAR PIVOT○ 1590	2925
Quick disconnect w/flow control 1/4" (specify air or water) (1090)0016-455-CS	90
Electric vacuum activation1400-199-CS	200
Universal HVE in lieu of standard1400-207-CS	N/C
Additional autoclavable standard HVE		
w/tubing, 5' & autoclavable oral dry cup1400-113-CS	75
Self-contained clean water system, single bottle 1 liter (1090)1700-118-CS	200
Chrome accents (1590) (see page 6)9000-999-CS	120
LIGHT * (mounting options, see pages 77-79)○ 9080	1475
or○ 9045	1875
or○ 9070	2275
Light post, pivot *1112-644	450
• Light post, pivot (Pelton & Crane)1112-658	450
Monitor mount assembly (monitor not included) (see page 80)		
Ring mount (used with light post)1331RM	740
Top post mount (used with monitor post)1331TPM	740
• Monitor post (for top post mount)1331-644	450
CHAIR, HYDRAULIC *○ 3900	6590
Additional touchpad (3900/)3914-102	450
Additional foot control (3900)3914-010	450
Foot control in lieu of touchpad (3900)3914-010-CS	N/C
Touchpad * deduct chair mount (option on unit) (3900)3914-081-CS	- 450
Additional chair options (see page 70-71 for pricing, line item here)		
Stool, doctor's deluxe * w/Ultraleather upholstery6126C	715
Stool, assistant's value * w/Ultraleather upholstery6137C	825
Stool, assistant's deluxe w/Ultraleather upholstery6147C	1050

* **ITEM** included in AS SHOWN PACKAGE price **TOTAL**
 • **Choose only one post when sold with unit**

DESIGNER FRIENDLY™ SURFACE TREATMENTS (N/C) (see page 6 & 7)

Unit plastic finishes:	○ Forest Grey	○ Lemans (carbon fiber)	○ Laser Leather (carbon fiber)	○ Greywood (carbon fiber)
Powder coat paint for Unit, & Light	○ Forest Grey ○ Pewter	○ Shadow ○ Sage	○ Pearl ○ Bronze	○ Charcoal ○ Arctic Silver
Powder coat paint for 3900 Chair	○ Forest Grey	○ Shadow		
Upholstery color choice (page 132):		○ Plush	○ Asepsis (3900 only)	

pivot chair mount packages

package 2 | contoured IC control head

BASE PACKAGE **\$ 18,160**

4585 DELIVERY SYSTEM
6300 Chair, 9045 Light & Post
6126C Dr's Stool, 6147C Assistant's Stool

AS LOW AS **\$ 15,560**

Substitute 3900 Chair & 9080 Light
(in lieu of 6300 Chair & 9045 Light)

AS SHOWN PACKAGE **\$ 20,085**

ADDITIONALLY EQUIPPED WITH:
Unit Mount Touchpad
Arm Mounted Swivel Tray
1090 Assistant's Instrumentation
Clean Water



Lifetime warranty under hood:
handpiece control blocks, handpiece manifolds, diaphragms, water relay valves, needle control valves, toggle valves, shuttle valves, check valves

Upholstery color swatches, see page 7
Designer Friendly™ color swatches, see page 7
Equipment dimensions, see pages 134

Shipping weight estimate:
delivery unit & chair 519 lb / 236 kg
base package 642 lb / 291 kg
as shown package 661 lb / 300 kg

POPULAR EQUIPMENT CHOICES



ADD CUSPIDOR 1590
base **\$21,085**
as shown **\$21,585**
in lieu of 1090



ADD MONITOR MOUNT 1331RM
base **\$18,900**
as shown **\$20,825**



ADD ADD'L HVE POSITION
W/ORAL DRY CUP
Add **\$ 75**

STANDARD FEATURES

DELIVERY SYSTEM 4585

Automatic control for three handpieces
 asepsis 3-way air/water syringe w/tubing, 5'
 handpiece tubing, 4-hole Midwest, asepsis style, 5'
 pneumatic master control block w/diaphragm
 master on/off
 individual handpiece pressure adjustment
 individual water coolant adjustment
 non-retraction water coolant with on/off
 air/water coolant adjustment
 handpiece flush
 handpiece exhaust filter/oil collector
 dual handle brake release function
 self-contained clean water system, single bottle 1½ liter
 wet/dry foot control
 Flexible control arm with pneumatic brake
 vertical travel 28" / horizontal travel 62"
 Internal umbilical, 5' with 3' external from
 chair to utility center
 Deluxe utility center
 air pressure regulator with filter
 master air shut-off valve
 Chair adapter, pivot
 Lifetime warranty under hood:
 handpiece control blocks, handpiece manifolds,
 diaphragms, water relay valves, needle control valves,
 toggle valves, shuttle valves, check valves

ASSISTANT'S INSTRUMENTATION, REAR PIVOT 1090

Central vacuum accessory package
 central vacuum canister w/disposable solids collector
 asepsis 3-way air/water syringe w/tubing, 5'
 autoclavable standard HVE lever valve w/tubing, 5'
 autoclavable saliva ejector lever valve w/tubing, 5'
 Internal umbilical, 5' with 3' external
 Rear chair pivot mount

CUSPIDOR, REAR PIVOT 1590

One-piece ceramic bowl with touch lever water activator
 Automatic cup fill
 Timed bowl rinse
 Swivel assistant's quad holder bar
 Assistant's instrumentation
 central vacuum canister w/disposable solids collector
 asepsis 3-way air/water syringe w/tubing, 5'
 autoclavable standard HVE lever valve w/tubing, 5'
 autoclavable saliva ejector lever valve w/tubing, 5'
 Swing away or over patient's lap
 Internal umbilical, 5' with 3' external
 Rear chair pivot mount

LIGHT, HALOGEN 9045

Automatic on/off activation with override
 Cooling fan
 Light defeat wheel
 Color shade matching, temp. setting 5000K, constant
 Shadow free illumination
 Easy release autoclavable handles

CHAIR, HYDRAULIC 6300

Ultraleather upholstery w/elbow support fold-up wings
 Double articulating pinch-style headrest
 Thin back w/full lumbar support
 Right/left patient access
 Swing-down locking armrests
 Hydraulic cantilever mechanism
 Emergency shut-off
 30 degree base rotation with lock
 Multifunction foot control w/4 programmable preset positions
 Soft-touch back massager
 Seat height: minimum 17" maximum 29"

FACTORY OPTIONS

DELIVERY SYSTEM W/CONTOURED IC *

Handpiece illumination system			
one handpiece (5-hole), accommodates 1 add'l tubing	.1700-012-CS	265	
add'l handpiece illumination tubing (5-hole)	.0017-694-CS	220	
one handpiece (6-pin), accommodates 1 add'l tubing	.1700-017-CS	265	
add'l handpiece illumination tubing (6-pin)	.0017-994-CS	220	
(I) time delay kit per hp illumination tubing	.0014-122	160	
Additional handpiece position, wet	.1100-189-CS	385	
Additional handpiece position, air drive only	.1100-190-CS	185	
Less handpiece position	.1700-099-CS	-100	
Heated syringe conversion kit (I) per syringe	.1107-450-CS	285	
Quick disconnect w/flow control 1/4" (for water)	.0016-454-CS	90	
or Quick disconnect w/flow control 3/8" (for air)	.0016-456-CS	90	
Swivel tray,* arm mounted (over control head)	.1110-468	300	
Touchpad * unit mount for 6300 chair	.1700-082-CS	600	
Touchpad, unit mount for 3900 chair	.1700-081-CS	450	
Standard utility center in lieu of contoured or deluxe	.1115-001-CS	-150	
Additional umbilical (per foot)	.1115-999-CS	30	
Chrome accents (see page 6)	.9000-998-CS	120	
Bien-Air Optima MX INT electric handpiece control	.BIEN-AIR	3995	
Bien-Air Optima MX INT dual electric handpiece control	.BIEN-AIR-D	6375	
Satelec LED mini curing light	.SATELEC-CL	1425	
Satelec SP Newtron piezo/LED piezo scaler	.SATELEC-S/SATELEC-S-LED	1730/2220	
Air-Techniques Polaris intraoral camera	.AIRTECH-C	4995	
ASSISTANT'S INSTRUMENTATION, REAR PIVOT * ... ○ 1090		1225	
or CUSPIDOR, REAR PIVOT	○ 1590	2925	
Quick disconnect w/flow control 1/4" (specify air or water) (1090)	.0016-455-CS	90	
Electric vacuum activation	.1400-199-CS	200	
Universal HVE in lieu of standard	.1400-207-CS	N/C	
Additional autoclavable standard HVE			
w/tubing, 5' & autoclavable oral dry cup	.1400-113-CS	75	
Self-contained clean water system *			
single bottle 1 liter (1090)	.1700-118-CS	200	
Chrome accents (1590) (see page 6)	.9000-999-CS	120	
LIGHT * (mounting options, see pages 77-79)	○ 9045	1875	
or	○ 9080	1475	
or	○ 9070	2275	
☛ • Light post, pivot *	.1112-644	450	
• Light post, pivot (Pelton & Crane)	.1112-658	450	
Monitor mount assembly (monitor not included) (see page 80)			
Ring mount (used with light post)	.1331RM	740	
Top post mount (used with monitor post)	.1331TPM	740	
• Monitor post (for top post mount)	.1331-644	450	
CHAIR, HYDRAULIC *	○ 6300	8790	
or	○ 3900	6590	
Additional touchpad (3900/6300)	.3914-102/6114-102	450/500	
Additional foot control (3900/6300)	.3914-010/6114-010	450/425	
Foot control in lieu of touchpad (3900)	.3914-010-CS	N/C	
Touchpad in lieu of foot control (6300)	.6114-102-CS	200	
Touchpad deduct chair mount (option on unit) (3900)	.3914-081-CS	-450	
Touchpad * deduct foot control (option on unit) (6300)	.6114-082-CS	-400	
☛ Additional chair options (see page 70-71 for pricing, line item here)			
Stool, doctor's deluxe * w/Ultraleather upholstery	.6126C	715	
Stool, assistant's deluxe * w/Ultraleather upholstery	.6147C	1050	
Stool, assistant's value w/Ultraleather upholstery	.6137C	825	

* **ITEM** included in AS SHOWN PACKAGE price
 • **Choose only one post when sold with unit**

TOTAL

DESIGNER FRIENDLY™ SURFACE TREATMENTS (N/C) (see page 6 & 7)

Unit plastic finishes:	○ Forest Grey	○ Lemans (carbon fiber)	○ Laser Leather (carbon fiber)	○ Greywood (carbon fiber)
Powder coat paint for Unit, & Light	○ Forest Grey	○ Shadow	○ Pearl	○ Charcoal
	○ Pewter	○ Sage	○ Bronze	○ Arctic Silver
Powder coat paint for 3900 Chair	○ Forest Grey	○ Shadow		
Upholstery color choice (page 132):		○ Plush	○ Asepsis (3900 only)	

pivot chair mount packages

package 3 | euro control head



BASE PACKAGE **\$ 16,410**

- 4987 DELIVERY SYSTEM
- 3900 Chair
- 9080 Light & Post
- 6126C Dr's Stool
- 6147C Assistant's Stool

AS SHOWN PACKAGE **\$ 20,075**

- ADDITIONALLY EQUIPPED WITH:
- 1590 Deluxe Cuspidor
 - Monitor Assembly

Monitor not included

Lifetime warranty under hood:
handpiece control blocks, handpiece manifolds, diaphragms, water relay valves, needle control valves, toggle valves, shuttle valves, check valves

Upholstery color swatches, see page 7
Designer Friendly™ color swatches, see page 7
Equipment dimensions, see pages 134

Shipping weight estimate:
delivery unit & chair 450 lb / 204 kg
base package 580 lb / 264 kg
as shown package 630 lb / 286 kg

POPULAR EQUIPMENT CHOICES



ADD ASSISTANT'S INSTRUMENTATION 1090
base **\$17,635**
as shown **\$18,375**
in lieu of 1590



ADD ADD'L HVE POSITION
W/ORAL DRY CUP
Add **\$ 75**

STANDARD FEATURES

DELIVERY SYSTEM 4987

Automatic control for four handpieces
 asepsis 3-way air/water syringe w/tubing, 4' handpiece tubing, 4-hole Midwest, asepsis style, 4' pneumatic master control block w/diaphragm master on/off
 individual handpiece pressure adjustment
 individual water coolant adjustment
 non-retraction water coolant with on/off air/water coolant adjustment
 handpiece flush
 handpiece exhaust filter/oil collector
 dual handle brake release function
 swivel instrument tray
 self-contained clean water system, single bottle 1½ liter wet/dry foot control
 Flexible control arm with pneumatic brake
 vertical travel 28" / horizontal travel 62"
 Internal umbilical, 5' with 3' external from chair to utility center
 Contoured utility center
 air pressure regulator with filter
 master air shut-off valve
 Chair adapter, pivot
 Lifetime warranty under hood:
 handpiece control blocks, handpiece manifolds, diaphragms, water relay valves, needle control valves, toggle valves, shuttle valves, check valves

ASSISTANT'S INSTRUMENTATION, REAR PIVOT 1090

Central vacuum accessory package
 central vacuum canister w/disposable solids collector
 asepsis 3-way air/water syringe w/tubing, 5' autoclavable standard HVE lever valve w/tubing, 5' autoclavable saliva ejector lever valve w/tubing, 5'
 Internal umbilical, 5' with 3' external
 Rear chair pivot mount

CUSPIDOR, REAR PIVOT 1590

One-piece ceramic bowl w/touch lever water activator
 Automatic cup fill
 Timed bowl rinse
 Swivel assistant's quad holder bar
 Assistant's instrumentation
 central vacuum canister w/disposable solids collector
 asepsis 3-way air/water syringe w/tubing, 5' autoclavable standard HVE lever valve w/tubing, 5' autoclavable saliva ejector lever valve w/tubing, 5'
 Swing away or over patient's lap
 Internal umbilical, 5' with 3' external
 Rear chair pivot mount

LIGHT, HALOGEN 9080

3-Axis light head movement
 Automatic on/off activation with override
 Color shade matching
 temperature setting 4200K to 5500K
 Shadow free illumination

CHAIR, HYDRAULIC 3900

Ultraleather upholstery w/wide back for elbow support
 Double articulating pinch-style headrest
 Thin back with full lumbar support
 Right/left patient access
 Swing-down locking armrests
 Hydraulic cantilever mechanism
 Emergency shut-off
 30 degree base rotation with lock
 Multifunction touchpad w/4 programmable preset positions
 Seat height: minimum 17" maximum 29"

FACTORY OPTIONS

DELIVERY SYSTEM W/EURO * 4987 \$ 6130

Handpiece illumination system
 one handpiece (5-hole), accommodates 1 add'l tubing1700-012-CS 265
 add'l handpiece illumination tubing (5-hole)0017-694-CS 220
 one handpiece (6-pin), accommodates 1 add'l tubing1700-017-CS 265
 add'l handpiece illumination tubing (6-pin)0017-994-CS 220
 (1) time delay kit per hp illumination tubing0014-122 160
 Additional handpiece position, wet1100-189-CS 385
 Additional handpiece position, air drive only1100-190-CS 185
 Less handpiece position (euro)1700-199-CS -175
 Heated syringe conversion kit (1) per syringe1107-450-CS 285
 Quick disconnect w/flow control 1/4" (for water)0016-454-CS 90
 or Quick disconnect w/flow control 3/8" (for air)0016-456-CS 90
 Touchpad, unit mount for 3900 chair1700-081-CS 450
 Standard utility center in lieu of contoured or deluxe1115-001-CS -150
 Additional umbilical (per foot)1115-999-CS 30
 Chrome accents (see page 6)9000-998-CS 120
 Bien-Air Optima MX INT electric handpiece controlBIEN-AIR 3995
 Bien-Air Optima MX INT dual electric handpiece controlBIEN-AIR-D 6375
 Satelec LED mini curing lightSATELEC-CL 1425
 Satelec SP Newtron piezo/LED piezo scalerSATELEC-S/SATELEC-S-LED 1730/2220
 Air-Techniques Polaris intraoral cameraAIRTECH-C 4995

CUSPIDOR, REAR PIVOT * 1590 2925

or ASSISTANT'S INSTRUMENTATION, REAR PIVOT1090 1225
 Quick disconnect w/flow control 1/4" (specify air or water) (1090)0016-455-CS 90
 Electric vacuum activation1400-199-CS 200
 Universal HVE in lieu of standard1400-207-CS N/C
 Additional autoclavable standard HVE
 w/tubing, 5' & autoclavable oral dry cup1400-113-CS 75
 Self-contained clean water system, single bottle 1 liter (1090)1700-118-CS 200
 Chrome accents (1590) (see page 6)9000-999-CS 120

LIGHT * (mounting options, see pages 77-79) 9080 1475

or9045 1875
 or9070 2275
Light post, pivot * 1112-644 450
 • Light post, pivot (Pelton & Crane)1112-658 450
 Monitor mount assembly (monitor not included) (see page 80)
Ring mount * (used with light post) 1331RM 740
 Top post mount (used with monitor post)1331TPM 740
 • Monitor post (for top post mount)1331-644 450

CHAIR, HYDRAULIC * 3900 6590

Additional touchpad (3900)3914-102 450
 Additional foot control (3900)3914-010 450
 Foot control in lieu of touchpad (3900)3914-010-CS N/C
 Touchpad deduct chair mount (option on unit) (3900)3914-081-CS -450
 Additional chair options (see page 70-71 for pricing, line item here)
Stool, doctor's deluxe * w/Ultraleather upholstery 6126C 715
Stool, assistant's deluxe stool * w/Ultraleather upholstery 6147C 1050
 Stool, assistant's value stool w/Ultraleather upholstery6137C 825

* **ITEM** included in AS SHOWN PACKAGE price **TOTAL**
 • **Choose only one post when sold with unit**

DESIGNER FRIENDLY™ SURFACE TREATMENTS (N/C) (see page 6 & 7)

Unit plastic finishes:	<input type="radio"/> Forest Grey	<input type="radio"/> Lemans (carbon fiber)	<input type="radio"/> Laser Leather (carbon fiber)	<input type="radio"/> Greywood (carbon fiber)
Powder coat paint for Unit, & Light	<input type="radio"/> Forest Grey <input type="radio"/> Pewter	<input type="radio"/> Shadow <input type="radio"/> Sage	<input type="radio"/> Pearl <input type="radio"/> Bronze	<input type="radio"/> Charcoal <input type="radio"/> Arctic Silver
Powder coat paint for 3900 Chair	<input type="radio"/> Forest Grey	<input type="radio"/> Shadow		
Upholstery color choice (page 132) :	<input type="radio"/> Plush		<input type="radio"/> Asepsis (3900 only)	

pivot chair mount packages

package 4 | value control head

BASE PACKAGE

\$ 14,185

- 4195 DELIVERY SYSTEM
- 3900 Chair
- 9080 Light & Post
- 6126C Dr's Stool
- 6137C Assistant's Stool

AS SHOWN PACKAGE

\$ 15,710

- ADDITIONALLY EQUIPPED WITH:
- Arm Mounted Swivel Tray
 - 1090 Assistant's Instrumentation



Lifetime warranty under hood:

handpiece control blocks, handpiece manifolds, diaphragms, water relay valves, needle control valves, toggle valves, shuttle valves, check valves

Upholstery color swatches, see page 7
 Designer Friendly™ color swatches, see page 7
 Equipment dimensions, see pages 134

Shipping weight estimate:
 delivery unit & chair 445 lb / 203 kg
 base package 566 lb / 257 kg
 as shown package 585 lb / 266 kg

POPULAR EQUIPMENT CHOICES



ADD CUSPIDOR 1590
 base **\$17,110**
 as shown **\$17,410**
 in lieu of 1090



ADD MONITOR MOUNT 1331RM
 base **\$14,925**
 as shown **\$16,450**



ADD ADD'L HVE POSITION
 W/ORAL DRY CUP
 Add **\$ 75**

STANDARD FEATURES

DELIVERY SYSTEM 4195

Automatic control for three handpieces
 asepsis 3-way air/water syringe w/tubing, 4' handpiece tubing, 4-hole Midwest, asepsis style, 4' individual pinch valve control blocks
 master on/off
 individual handpiece pressure adjustment
 individual water coolant adjustment
 non-retraction water coolant with on/off
 air coolant adjustment
 handpiece flush
 handpiece exhaust filter/oil collector
 dual handle brake release function
 self-contained clean water system, single bottle 1½ liter
 wet/dry foot control
 Flexible control arm with pneumatic brake
 vertical travel 28" / horizontal travel 62"
 Internal umbilical, 5' with 3' external from chair to utility center
 Contoured utility center
 air pressure regulator with filter
 master air shut-off valve
 Chair adapter, pivot
 Lifetime warranty under hood:
 handpiece control blocks, handpiece manifolds, diaphragms, water relay valves, needle control valves, toggle valves, shuttle valves, check valves

ASSISTANT'S INSTRUMENTATION, REAR PIVOT 1090

Central vacuum accessory package
 central vacuum canister w/disposable solids collector
 asepsis 3-way air/water syringe w/tubing, 5' autoclavable standard HVE lever valve w/tubing, 5' autoclavable saliva ejector lever valve w/tubing, 5'
 Water outlet w/flow control
 Internal umbilical, 5' with 3' external
 Rear chair pivot mount

CUSPIDOR, REAR PIVOT 1590

One-piece ceramic bowl w/touch lever water activator
 Automatic cup fill
 Timed bowl rinse
 Swivel assistant's quad holder bar
 Assistant's instrumentation
 central vacuum canister w/disposable solids collector
 asepsis 3-way air/water syringe w/tubing, 5' autoclavable standard HVE lever valve w/tubing, 5' autoclavable saliva ejector lever valve w/tubing, 5'
 Swing away or over patient's lap
 Internal umbilical, 5' with 3' external
 Rear chair pivot mount

LIGHT, HALOGEN 9080

3-Axis light head movement
 Automatic on/off activation with override
 Color shade matching
 temperature setting 4200K to 5500K
 Shadow free illumination

CHAIR, HYDRAULIC 3900

Ultraleather upholstery w/wide back for elbow support
 Double articulating pinch-style headrest
 Thin back with full lumbar support
 Right/left patient access
 Swing-down locking armrests
 Hydraulic cantilever mechanism
 Emergency shut-off
 30 degree base rotation with lock
 Multifunction touchpad w/4 programmable preset positions
 Seat height: minimum 17" maximum 29"

FACTORY OPTIONS

DELIVERY SYSTEM W/VALUE *

Handpiece illumination system		
one handpiece (5-hole), accommodates 1 add'l tubing	1700-012-CS	265
add'l handpiece illumination tubing (5-hole)	0017-694-CS	220
one handpiece (6-pin), accommodates 1 add'l tubing	1700-017-CS	265
add'l handpiece illumination tubing (6-pin)	0017-994-CS	220
(I) time delay kit per hp illumination tubing	0014-122	160
Additional handpiece position, wet	1100-189-CS	385
Additional handpiece position, air drive only	1100-190-CS	185
Less handpiece position	1700-099-CS	-100
Heated syringe conversion kit (I) per syringe	1107-450-CS	285
Quick disconnect w/flow control 1/4" (specify air or water)	0016-455-CS	90
Swivel tray, * arm mounted (over control head)	1110-468	300
Touchpad, unit mount for 3900 chair	1700-081-CS	450
Standard utility center in lieu of contoured or deluxe	1115-001-CS	-150
Additional umbilical (per foot)	1115-999-CS	30
Chrome accents (see page 6)	9000-998-CS	120
Bien-Air Optima MX INT electric handpiece control	.BIEN-AIR	3995
Bien-Air Optima MX INT dual electric handpiece control	.BIEN-AIR-D	6375
Satelec LED mini curing light	.SATELEC-CL	1425
Satelec SP Newtron piezo/LED piezo scaler	.SATELEC-S/SATELEC-S-LED	1730/2220
Air-Techniques Polaris intraoral camera	.AIRTECH-C	4995

ASSISTANT'S INSTRUMENTATION, REAR PIVOT *

1090	1225
or CUSPIDOR, REAR PIVOT	1590 2925
Quick disconnect w/flow control 1/4" (specify air or water) (1090)	0016-455-CS 90
Electric vacuum activation	1400-199-CS 200
Universal HVE in lieu of standard	1400-207-CS N/C
Additional autoclavable standard HVE	
w/tubing, 5' & autoclavable oral dry cup	1400-113-CS 75
Self-contained clean water system, single bottle 1 liter (1090)	1700-118-CS 200
Chrome accents (1590) (see page 6)	9000-999-CS 120

LIGHT * (mounting options, see pages 77-79)

9080	1475
or	9045 1875
or	9070 2275

Light post, pivot *

1112-644	450
• Light post, pivot (Pelton & Crane)	1112-658 450

Monitor mount assembly (monitor not included) (see page 80)

Ring mount (used with light post)	1331RM	740
Top post mount (used with monitor post)	1331TPM	740
• Monitor post (for top post mount)	1331-644	450

CHAIR, HYDRAULIC *

3900	6590
Additional touchpad (3900)	3914-102 450
Additional foot control (3900)	3914-010 450
Foot control in lieu of touchpad (3900)	3914-010-CS N/C
Touchpad deduct chair mount (option on unit) (3900)	3914-081-CS -450

Additional chair options (see page 70-71 for pricing, line item here)

Stool, doctor's deluxe * w/Ultraleather upholstery	6126C	715
Stool, assistant's value * w/Ultraleather upholstery	6137C	825
Stool, assistant's deluxe w/Ultraleather upholstery	6147C	1050

* **ITEM** included in AS SHOWN PACKAGE price
 • **Choose only one post when sold with unit**

TOTAL

DESIGNER FRIENDLY™ SURFACE TREATMENTS (N/C) (see page 6 & 7)

Unit plastic finishes:	<input type="radio"/> Forest Grey	<input type="radio"/> Lemans (carbon fiber)	<input type="radio"/> Laser Leather (carbon fiber)	<input type="radio"/> Greywood (carbon fiber)
Powder coat paint for Unit, & Light	<input type="radio"/> Forest Grey	<input type="radio"/> Shadow	<input type="radio"/> Pearl	<input type="radio"/> Charcoal
	<input type="radio"/> Pewter	<input type="radio"/> Sage	<input type="radio"/> Bronze	<input type="radio"/> Arctic Silver
Powder coat paint for 3900 Chair	<input type="radio"/> Forest Grey	<input type="radio"/> Shadow		
Upholstery color choice (page 132) :		<input type="radio"/> Plush	<input type="radio"/> Asepsis (3900 only)	

pivot chair mount packages

package 5 | hygienist IC control head



BASE PACKAGE **\$ 14,930**

- 4495 DELIVERY SYSTEM
- 3900 Chair
- 9080 Light & Post
- 6126C Dr's Stool

AS SHOWN PACKAGE **\$ 17,975**

- ADDITIONALLY EQUIPPED WITH:
- Arm Mounted Swivel Tray
 - 1580 Deluxe Cuspidor

Lifetime warranty under hood:

handpiece control blocks, handpiece manifolds, diaphragms, water relay valves, needle control valves, toggle valves, shuttle valves, check valves

Upholstery color swatches, see page 7
 Designer Friendly™ color swatches, see page 7
 Equipment dimensions, see pages 134

Shipping weight estimate:
 delivery unit & chair 445 lb / 203 kg
 base package 533 lb / 242 kg
 as shown package 583 lb / 265 kg

POPULAR EQUIPMENT CHOICES



ADD MONITOR MOUNT 1331RM
 base **\$15,670**
 as shown **\$18,715**



ADD ADD'L HVE POSITION
 W/ORAL DRY CUP
 Add **\$ 75**

STANDARD FEATURES

DELIVERY SYSTEM 4495

Automatic control for two handpieces
 central vacuum canister w/disposable solids collector
 asepsis 3-way air/water syringe w/tubing, 4'
 autoclavable standard HVE lever valve w/tubing, 5'
 autoclavable saliva ejector lever valve w/tubing, 5'
 handpiece tubing, 4-hole Midwest, asepsis style, 5'
 pneumatic master control block w/diaphragm
 master on/off
 individual handpiece pressure adjustment
 individual water coolant adjustment
 non-retraction water coolant with on/off
 air coolant adjustment
 handpiece flush
 handpiece exhaust filter/oil collector
 dual handle brake release function
 self-contained clean water system, single bottle 1½ liter
 wet/dry foot control
 Flexible control arm with pneumatic brake
 vertical travel 28" / horizontal travel 62"
 Internal umbilical, 5' with 3' external from
 chair to utility center
 Contoured utility center
 air pressure regulator with filter
 master air shut-off valve
 Chair adapter, pivot
 Lifetime warranty under hood:
 handpiece control blocks, handpiece manifolds,
 diaphragms, water relay valves, needle control valves,
 toggle valves, shuttle valves, check valves

CUSPIDOR, REAR PIVOT 1580

One-piece ceramic bowl w/touch lever water activator
 Automatic cup fill
 Timed bowl rinse
 Swing away or over patient's lap
 Internal umbilical, 5' with 3' external
 Rear chair pivot mount

LIGHT, HALOGEN 9080

3-Axis light head movement
 Automatic on/off activation with override
 Color shade matching
 temperature setting 4200K to 5500K
 Shadow free illumination

CHAIR, HYDRAULIC 3900

Ultraleather upholstery with wide back
 for elbow support
 Double articulating pinch-style headrest
 Thin back with full lumbar support
 Right/left patient access
 Swing-down locking armrests
 Hydraulic cantilever mechanism
 Emergency shut-off
 30 degree base rotation with lock
 Multifunction touchpad
 w/4 programmable preset positions
 Seat height: minimum 17" maximum 29"

FACTORY OPTIONS

DELIVERY SYSTEM W/HYGIENIST IC *

Handpiece illumination system		
one handpiece (5-hole), accommodates 1 add'l tubing1700-012-CS	265
add'l handpiece illumination tubing (5-hole)0017-694-CS	220
one handpiece (6-pin), accommodates 1 add'l tubing1700-017-CS	265
add'l handpiece illumination tubing (6-pin)0017-994-CS	220
(I) time delay kit per hp illumination tubing0014-122	160
Additional handpiece position, wet1100-189-CS	385
Additional handpiece position, air drive only1100-190-CS	185
Less handpiece position1700-099-CS	-100
Universal HVE in lieu of standard1400-207-CS	N/C
Additional autoclavable standard HVE		
w/tubing, 5' & autoclavable oral dry cup1400-113-CS	75
Electric vacuum activation1400-199-CS	200
Heated syringe conversion kit (I) per syringe1107-450-CS	285
Quick disconnect w/flow control 1/4" (for water)0016-454-CS	90
or Quick disconnect w/flow control 3/8" (for air)0016-456-CS	90
Swivel tray,* arm mounted (over control head)1110-468	300
Touchpad, unit mount for 3900 chair1700-081-CS	450
Standard utility center in lieu of contoured or deluxe1115-001-CS	-150
Additional umbilical (per foot)1115-999-CS	30
Chrome accents (see page 6)9000-998-CS	120
Bien-Air Optima MX INT electric handpiece controlBIEN-AIR	3995
Bien-Air Optima MX INT dual electric handpiece controlBIEN-AIR-D	6375
Satelec LED mini curing lightSATELEC-CL	1425
Satelec SP Newtron piezo/LED piezo scalerSATELEC-S/SATELEC-S-LED	1730/2220
Air-Techniques Polaris intraoral cameraAIRTECH-C	4995
CUSPIDOR, REAR PIVOT *1580	2745
Chrome accents (see page 6)9000-999-CS	120
LIGHT * (mounting options, see pages 77-79)○ 9080	1475
or○ 9045	1875
or○ 9070	2275
Light post, pivot *1112-644	450
• Light post, pivot (Pelton & Crane)1112-658	450
Monitor mount assembly (monitor not included) (see page 80)		
Ring mount (used with light post)1331RM	740
Top post mount (used with monitor post)1331TPM	740
• Monitor post (for top post mount)1331-644	450
CHAIR, HYDRAULIC *○ 3900	6590
Additional touchpad (3900)3914-102	450
Additional foot control (3900)3914-010	450
Foot control in lieu of touchpad (3900)3914-010-CS	N/C
Touchpad deduct chair mount (option on unit) (3900)3914-081-CS	-450
Additional chair options (see page 70-71 for pricing, line item here)		
Stool, doctor's deluxe * w/Ultraleather upholstery6126C	715
Stool, assistant's deluxe w/Ultraleather upholstery6147C	1050
Stool, assistant's value w/Ultraleather upholstery6137C	825

* **ITEM** included in AS SHOWN PACKAGE price
 • **Choose only one post when sold with unit**

TOTAL



DESIGNER FRIENDLY™ SURFACE TREATMENTS (N/C) (see page 6 & 7)

Unit plastic finishes:	<input type="radio"/> Forest Grey	<input type="radio"/> Lemans (carbon fiber)	<input type="radio"/> Laser Leather (carbon fiber)	<input type="radio"/> Greywood (carbon fiber)
Powder coat paint for Unit, & Light	<input type="radio"/> Forest Grey <input type="radio"/> Pewter	<input type="radio"/> Shadow <input type="radio"/> Sage	<input type="radio"/> Pearl <input type="radio"/> Bronze	<input type="radio"/> Charcoal <input type="radio"/> Arctic Silver
Powder coat paint for 3900 Chair	<input type="radio"/> Forest Grey	<input type="radio"/> Shadow		
Upholstery color choice (page 132):			<input type="radio"/> Plush	<input type="radio"/> Asepsis (3900 only)

pivot chair mount packages

package 6 | hygienist value control head

BASE PACKAGE

\$ 13,780

4458 DELIVERY SYSTEM
3900 Chair
9080 Light & Post
6126C Dr's Stool

AS SHOWN PACKAGE

\$ 14,080

ADDITIONALLY EQUIPPED WITH:
Unit Mount Touchpad
Arm Mounted Swivel Tray



Lifetime warranty under hood:

handpiece control blocks, handpiece manifolds, diaphragms, water relay valves, needle control valves, toggle valves, shuttle valves, check valves

Upholstery color swatches, see page 7
Designer Friendly™ color swatches, see page 7
Equipment dimensions, see page 134

Shipping weight estimate:
delivery unit & chair
base package
as shown package

445 lb / 203 kg
533 lb / 242 kg
538 lb / 245 kg

POPULAR EQUIPMENT CHOICES



ADD CUSPIDOR 1580
base **\$16,525**
as shown **\$16,825**



ADD MONITOR MOUNT 1331RM
base **\$14,520**
as shown **\$14,820**



ADD ADD'L HVE POSITION
W/ORAL DRY CUP
Add **\$ 75**

STANDARD FEATURES

DELIVERY SYSTEM 4458

Automatic control for two handpieces
 central vacuum canister w/disposable solids collector
 asepsis 3-way air/water syringe w/tubing, 4'
 autoclavable standard HVE lever valve w/tubing, 5'
 autoclavable saliva ejector lever valve w/tubing, 5'
 handpiece tubing, 4-hole Midwest, asepsis style, 5'
 individual pinch valve control blocks
 master on/off
 individual handpiece pressure adjustment
 individual water coolant adjustment
 non-retraction water coolant with on/off
 air coolant adjustment
 handpiece flush
 handpiece exhaust filter/oil collector
 dual handle brake release function
 self-contained clean water system, single bottle 1½ liter
 wet/dry foot control
 Flexible control arm with pneumatic brake
 vertical travel 28" / horizontal travel 62"
 Internal umbilical, 5' with 3' external from
 chair to utility center
 Contoured utility center
 air pressure regulator with filter
 master air shut-off valve
 Chair adapter, pivot
 Lifetime warranty under hood:
 handpiece control blocks, handpiece manifolds,
 diaphragms, water relay valves, needle control valves,
 toggle valves, shuttle valves, check valves

CUSPIDOR, REAR PIVOT 1580

One-piece ceramic bowl w/touch lever water activator
 Automatic cup fill
 Timed bowl rinse
 Swing away or over patient's lap
 Internal umbilical, 5' with 3' external
 Rear chair pivot mount

LIGHT, HALOGEN 9080

3-Axis light head movement
 Automatic on/off activation with override
 Color shade matching
 temperature setting 4200K to 5500K
 Shadow free illumination

CHAIR, HYDRAULIC 3900

Ultraleather upholstery with wide back
 for elbow support
 Double articulating pinch-style headrest
 Thin back with full lumbar support
 Right/left patient access
 Swing-down locking armrests
 Hydraulic cantilever mechanism
 Emergency shut-off
 30 degree base rotation with lock
 Multifunction touchpad
 w/4 programmable preset positions
 Seat height: minimum 17" maximum 29"

FACTORY OPTIONS

DELIVERY SYSTEM W/HYGIENIST VALUE *

Handpiece illumination system		
one handpiece (5-hole), accommodates 1 add'l tubing1700-012-CS	265
add'l handpiece illumination tubing (5-hole)0017-694-CS	220
one handpiece (6-pin), accommodates 1 add'l tubing1700-017-CS	265
add'l handpiece illumination tubing (6-pin)0017-994-CS	220
(1) time delay kit per hp illumination tubing0014-122	160
Additional handpiece position, wet1100-189-CS	385
Additional handpiece position, air drive only1100-190-CS	185
Less handpiece position1700-099-CS	-100
Universal HVE in lieu of standard1400-207-CS	N/C
Additional autoclavable standard HVE		
w/tubing, 5' & autoclavable oral dry cup1400-113-CS	75
Heated syringe conversion kit (1) per syringe1107-450-CS	285
Quick disconnect w/flow control 1/4" (specify air or water)0016-455-CS	90
Swivel tray,* arm mounted (over control head)1110-468	300
Touchpad,* unit mount for 3900 chair1700-081-CS	450
Standard utility center in lieu of contoured or deluxe1115-001-CS	-150
Additional umbilical (per foot)1115-999-CS	30
Chrome accents (see page 6)9000-998-CS	120
Bien-Air Optima MX INT electric handpiece controlBIEN-AIR	3995
Bien-Air Optima MX INT dual electric handpiece controlBIEN-AIR-D	6375
Satelec LED mini curing lightSATELEC-CL	1425
Satelec SP Newtron piezo/LED piezo scalerSATELEC-S/SATELEC-S-LED	1730/2220
Air-Techniques Polaris intraoral cameraAIRTECH-C	4995
CUSPIDOR, REAR PIVOT1580	2745
Chrome accents (see page 6)9000-999-CS	120
LIGHT * (mounting options, see pages 77-79)○ 9080	1475
or○ 9045	1875
or○ 9070	2275
Light post, pivot *1112-644	450
• Light post, pivot (Pelton & Crane)1112-658	450
Monitor mount assembly (monitor not included) (see page 80)		
Ring mount (used with light post)1331RM	740
Top post mount (used with monitor post)1331TPM	740
• Monitor post (for top post mount)1331-644	450
CHAIR, HYDRAULIC *○ 3900	6590
Additional touchpad (3900)3914-102	450
Additional foot control (3900)3914-010	450
Foot control in lieu of touchpad (3900)3914-010-CS	N/C
Touchpad * deduct chair mount (option on unit) (3900)3914-081-CS	- 450
Additional chair options (see page 70-71 for pricing, line item here)	
Stool, doctor's deluxe * w/Ultraleather upholstery6126C	715
Stool, assistant's deluxe w/Ultraleather upholstery6147C	1050
Stool, assistant's value w/Ultraleather upholstery6137C	825

* **ITEM** included in AS SHOWN PACKAGE price
 • **Choose only one post when sold with unit**

TOTAL

DESIGNER FRIENDLY™ SURFACE TREATMENTS (N/C) (see page 6 & 7)

Unit plastic finishes:	<input type="radio"/> Forest Grey	<input type="radio"/> Lemans (carbon fiber)	<input type="radio"/> Laser Leather (carbon fiber)	<input type="radio"/> Greywood (carbon fiber)
Powder coat paint for Unit, & Light	<input type="radio"/> Forest Grey <input type="radio"/> Pewter	<input type="radio"/> Shadow <input type="radio"/> Sage	<input type="radio"/> Pearl <input type="radio"/> Bronze	<input type="radio"/> Charcoal <input type="radio"/> Arctic Silver
Powder coat paint for 3900 Chair	<input type="radio"/> Forest Grey	<input type="radio"/> Shadow		
Upholstery color choice (page 132):		<input type="radio"/> Plush	<input type="radio"/> Asepsis (3900 only)	

affordable excellence details



auto on/off
(with adjustable micro switch,
standard on all lights)

factory installed ancillary products
(like Bien-Air electric handpiece control, Satelec ultrasonic scaler,
curing light or Air-Technique intraoral camera)

8 lustrous paint colors
(standard on delivery systems, lights
and 6300 chair)

Ultra-leather plush
upholstery
(standard on all chairs)

leave with a smile
(relax your patient with the patient controlled
back massage system; optional on 3900 chair)

double articulating
pinch-style headrest
(accommodates all
positioning needs)

3 carbon fiber looks
(standard)

no cracking or fading
(thin cast aluminum vs. plastic back)

space saving armrest
(drops down vs. swinging out)

won't rock or rust on your floor
(cast aluminum)

fixed chair mount with sidebox packages



caps won't crack or fade
(billet aluminum chrome end caps, standard)

chrome accents (option)

personalize arm movement
(Teflon bushings with friction adjustments)

optional tray holder
(metal vs. plastic)

don't worry
(lifetime warranty on internal components)

intuitive, easy-to-use touchpad
(sturdy machined aluminum housing with four soft touch programmable preset positions. Chair, unit or remote mount.)

no distortion, great fit & quality feel
(thick pressure-formed vs thin vacuum-formed plastic)

2 lustrous paint colors
(Forest Grey and Shadow standard on 3900 chair)

DESIGNER FRIENDLY	2
DELIVERY SYSTEMS WITHOUT CHAIR.....	14
PIVOT CHAIR MOUNT PACKAGES	20
FIXED CHAIR MOUNT	
WITH SIDEBOX PACKAGES	36
Build a custom package	38
Sample packages	40
Standard IC control head	40
Contoured IC control head	42
Euro control head.....	44
Value control head.....	46
Hygienist IC control head.....	48
Hygienist Value control head	50
FIXED CHAIR MOUNT	
WITHOUT SIDEBOX PACKAGES.....	52
CHAIRS + STOOLS	68
LIGHTS + MONITOR MOUNT ASSEMBLIES	74
REAR + SIDE DELIVERY SYSTEMS	82
CARTS	96
CUSPIDORS.....	106
OPTIONAL DELIVERY SYSTEMS	112
FACTORY OPTIONS + PARTS.....	120
GENERAL INFORMATION.....	132

SHOWN WITH:

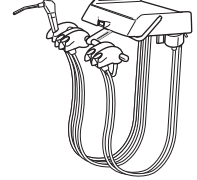
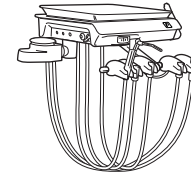
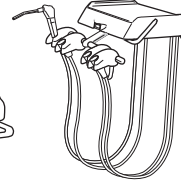
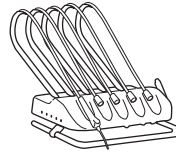
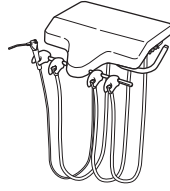
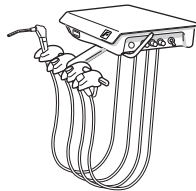
- 3900 CHAIR, SHADOW
- 4118 FIXED CHAIR MOUNT W/SIDEBOX
- VALUE CONTROL HEAD
- UNIT MOUNT TOUCHPAD
- SWIVEL TRAY
- UNIVERSAL HVE
- LIGHT POST
- MONITOR MOUNT ASSEMBLY
- 9080 LIGHT

- UPHOLSTERY | MIDNIGHT
- POWDER COAT | BRONZE
- UNIT PLASTIC | LASER LEATHER CARBON FIBER

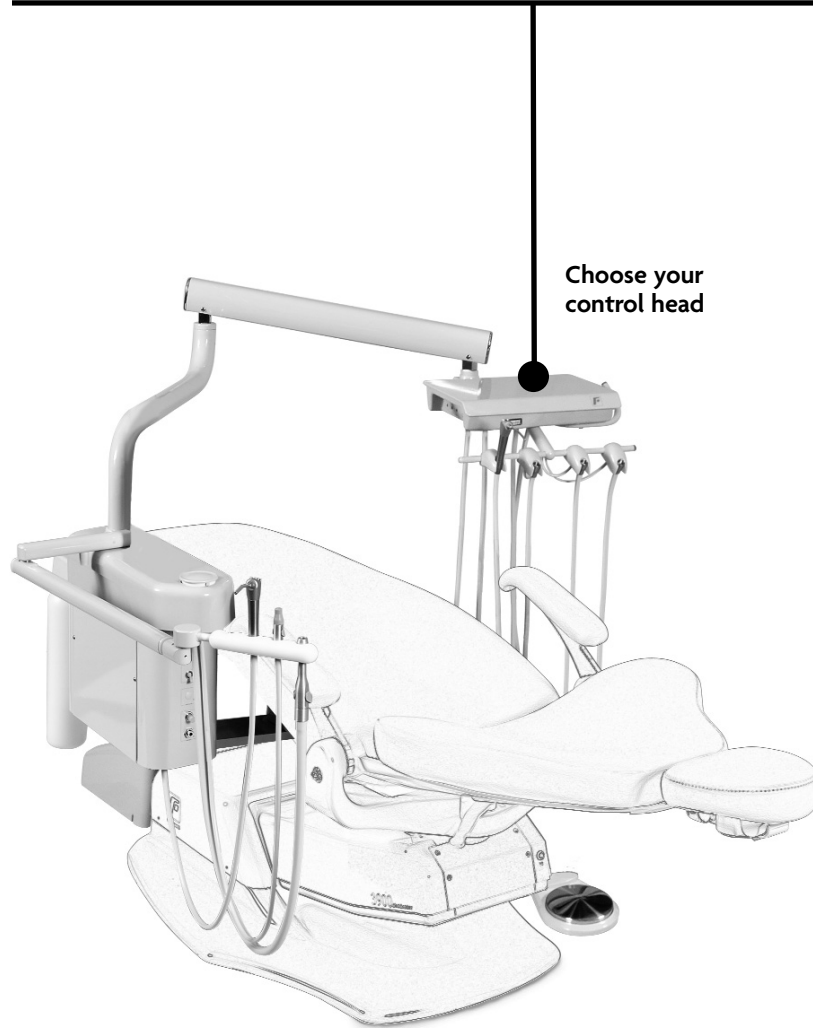
fixed chair mount with sidebox packages

build a custom package

* vacuum located on control head in lieu of telescoping arm



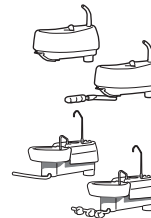
MODEL	8300 Standard IC	8350 Contoured IC	8807 Euro	4118 Value	4455 Hygienist IC *	4158 Value Hygienist *
PRICE	\$ 6,400	\$ 6,400	\$ 7,250	\$ 5,250	\$ 6,300	\$ 5,150
STANDARD FEATURES <i>(additional information, pg 14)</i>	pneumatic, 3 HP, syringe	pneumatic, 3 HP, syringe	pneumatic, 4 HP, syringe	pinch, 3 HP, syringe	pneumatic, 2 HP, syringe, HVE, SE	pinch, 2 HP, syringe, HVE, SE
PACKAGE EXAMPLE	page 40	page 42	page 44	page 46	page 48	page 50



Choose your control head

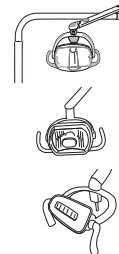
ADD EQUIPMENT:

Choose one:



- Cuspidor, Deluxe 1577 Cuspidor
- 1576 Cuspidor
- Cuspidor, Basic 1677 Cuspidor
- 1676 Cuspidor

Choose one:



- 9045 Light
 - 9080 Light
 - 9070 LED Light
- Light post sold separately. See page 74 for other light applications.*

Choose one:



- 3900 Chair, Hydraulic, Plush
- 3900 Chair, Hydraulic, Asepsis

Choose any:



- 6126C Stool, Doctor
- 6147C Stool, Assistant
- 6137C Stool, Assistant

BUILD YOUR CUSTOM PACKAGE, THEN CALCULATE YOUR PRICE ▶▶▶

OR CHOOSE FROM OUR EXAMPLE PACKAGES - see pages 40-51

STANDARD FEATURES

DELIVERY SYSTEM

Choice of Control Head
 Flexible control arm with pneumatic brake
 vertical travel 28" / horizontal travel 62"
 Sidebox with self-contained clean water system
 Telescoping arm with swivel quad holder bar
 Central vacuum accessory package
 Wet/dry foot control
 External umbilical, 5'
 Utility center
 contoured with 3900 chair, deluxe with 6300 chair
 standard with chair mounted unit
 Chair adapter, fixed
 Lifetime warranty under hood:
 handpiece control blocks, handpiece manifolds,
 diaphragms, water relay valves, needle control valves,
 toggle valves, shuttle valves, check valves

CUSPIDOR, DELUXE 1577/1576

One-piece ceramic bowl w/touch lever water activator
 Automatic cup fill
 Timed bowl rinse
 1576 includes:
 Swivel assistant's quad holder bar

CUSPIDOR, BASIC 1677/1676

Removable glass bowl, 8" diameter
 Manual cup fill
 Timed bowl rinse
 1676 includes:
 Individual assistant's instrumentation holders

(see pages 108-111 for additional cuspidor information)

LIGHT, HALOGEN 9045

Cooling fan
 Light defeat wheel
 Automatic on/off activation with override

LIGHT, HALOGEN 9080

3-Axis light head movement
 Automatic on/off activation with override

LIGHT, LED 9070

85% less energy than halogen lamp
 Two brightness settings, one non-cure setting
 Automatic on/off activation with override

(see pages 76-80 for additional light information)

CHAIR, HYDRAULIC 3900

Ultraleather upholstery
 Double articulating pinch-style headrest
 Emergency shut-off
 Multifunction Touchpad
 w/4 programmable preset positions

FACTORY OPTIONS

	PART NO	RETAIL	PRICE
DELIVERY SYSTEM MODEL CHOICE			PRICE :
Handpiece illumination system			
one handpiece (5-hole), accommodates 1 add'l tubing	1700-012-CS	\$ 265	
add'l handpiece illumination tubing (5-hole)	0017-694-CS	220	
one handpiece (6-pin), accommodates 1 add'l tubing	1700-017-CS	265	
add'l handpiece illumination tubing (6-pin)	0017-994-CS	220	
(!) time delay kit per hp illumination tubing	0014-122	160	
Additional handpiece position, wet	1100-189-CS	385	
Additional handpiece position, air drive only	1100-190-CS	185	
Less handpiece position	1700-099-CS	- 100	
Heated syringe conversion kit (!) per syringe	1107-450-CS	285	
Additional brake handle activation (left) (euro standard)	0023-642-CS	125	
Swivel tray, arm mounted (euro standard)	1110-468	300	
Self-contained clean water system,			
single bottle, 1½ liter in lieu of dual bottle	1700-201-CS	- 100	
Less self-contained clean water system, dual bottle	1700-221-CS	- 200	
Universal HVE in lieu of standard	1400-207-CS	N/C	
Additional autoclavable standard HVE			
w/tubing, 5' & autoclavable oral dry cup	1400-113-CS	75	
Quick disconnect w/flow control 1/4" (for water)	0016-454-CS	90	
Quick disconnect w/flow control 3/8" (for air)	0016-456-CS	90	
Electric vacuum activation	1400-199-CS	200	
Less telescoping arm and assistant's instrumentation	1400-000-CS	- 350	
Touchpad unit mount for 3900 chair	1700-081-CS	450	
Standard utility center in lieu of deluxe or contoured	1115-001-CS	- 150	
Additional umbilical (per foot)	1115-999-CS	30	
Durr amalgam separator ready (separator not included)	1400-270-CS	200	
Chrome accents (see page 6)	9000-998-CS	120	
Bien-Air Optima MX INT electric handpiece controlBIEN-AIR	3995	
Bien-Air Optima MX INT dual electric handpiece controlBIEN-AIR-D	6375	
Satelec LED mini curing lightSATELEC-CL	1425	
Satelec SP Newtron piezo/LED piezo scalerSATELEC-S/SATELEC-S-LED	1730/2220	
Air-Techniques Polaris intraoral cameraAIRTECH-C	4995	
CUSPIDOR, DELUXE <input type="radio"/> 1577 <input type="radio"/> 1576		1300	
or BASIC <input type="radio"/> 1677 <input type="radio"/> 1676		750	
Chrome accents (see page 6)	9000-999-CS	120	
LIGHT (mounting options, see pages 77-79)	<input type="radio"/> 9045	1875	
or <input type="radio"/> 9080		1475	
or <input type="radio"/> 9070		2275	
☛ Light post, 44"	1110-998-CS	180	
Monitor mount assembly (monitor not included) (see page 80)			
Ring mount (used with light post)	1331RM	740	
Top post mount (used with monitor post)	1331TPM	740	
Monitor post (for top post mount)	1331-998-CS	180	
CHAIR, HYDRAULIC <input type="radio"/> 3900		6590	
Additional touchpad (3900)	3914-102	450	
Additional foot control (3900)	3914-010	450	
Foot control in lieu of touchpad (3900)	3914-010-CS	N/C	
Touchpad deduct chair mount (option on unit) (3900)	3914-081-CS	- 450	
☛ Additional chair options (see page 70-71 for pricing, line item here)			
Stool, doctor's deluxe w/Ultraleather upholstery	6126C	715	
Stool, assistant's deluxe w/Ultraleather upholstery	6147C	1050	
Stool, assistant's value w/Ultraleather upholstery	6137C	825	
TOTAL			

DESIGNER FRIENDLY™ SURFACE TREATMENTS (N/C) (see page 6 & 7)

Unit plastic finishes:	<input type="radio"/> Forest Grey	<input type="radio"/> Lemans (carbon fiber)	<input type="radio"/> Laser Leather (carbon fiber)	<input type="radio"/> Greywood (carbon fiber)
Powder coat paint for Unit, & Light	<input type="radio"/> Forest Grey <input type="radio"/> Pewter	<input type="radio"/> Shadow <input type="radio"/> Sage	<input type="radio"/> Pearl <input type="radio"/> Bronze	<input type="radio"/> Charcoal <input type="radio"/> Arctic Silver
Powder coat paint for 3900 Chair	<input type="radio"/> Forest Grey	<input type="radio"/> Shadow		
Upholstery color choice (page 132) :		<input type="radio"/> Plush	<input type="radio"/> Asepsis (3900 only)	

fixed chair mount with sidebox packages

package 7 | standard IC control head



BASE PACKAGE **\$ 16,410**

- 8300 DELIVERY SYSTEM
- 3900 Chair
- 9080 Light & Post
- 6126C Dr's Stool
- 6147C Assistant's Stool

AS SHOWN PACKAGE **\$ 16,710**

- ADDITIONALLY EQUIPPED WITH:
- Unit Mount Touchpad
 - Swivel tray, arm mounted

Lifetime warranty under hood:
handpiece control blocks, handpiece manifolds, diaphragms, water relay valves, needle control valves, toggle valves, shuttle valves, check valves

Upholstery color swatches, see page 7
Designer Friendly™ color swatches, see page 7
Equipment dimensions, see pages 134

Shipping weight estimate:
delivery unit only 105 lb / 48 kg
base package 556 lb / 253 kg
as shown package 561 lb / 255 kg

POPULAR EQUIPMENT CHOICES



ADD CUSPIDOR 1577
base **\$17,710**
as shown **\$18,010**



ADD CUSPIDOR 1677
base **\$17,160**
as shown **\$17,460**



ADD MONITOR MOUNT 1331RM
base **\$17,150**
as shown **\$17,450**

STANDARD FEATURES

DELIVERY SYSTEM 8300

Automatic control for three handpieces
 asepsis 3-way air/water syringe w/tubing, 4' handpiece tubing, 4-hole Midwest, asepsis style, 4' pneumatic master control block w/diaphragm master on/off
 individual handpiece pressure adjustment
 individual water coolant adjustment
 non-retraction water coolant with on/off air coolant adjustment
 handpiece flush
 handpiece exhaust filter/oil collector
 single handle brake release function
 wet/dry foot control
 Flexible control arm with pneumatic brake vertical travel 28" / horizontal travel 62"
 Sidebox with self-contained clean water system dual bottles, 1½ liters each
 electrical outlet/UL
 Telescoping arm with swivel quad holder bar
 Central vacuum accessory package
 central vacuum canister w/disposable solids collector
 asepsis 3-way air/water syringe w/tubing, 5' autoclavable standard HVE lever valve w/tubing, 5' autoclavable saliva ejector lever valve w/tubing, 5'
 External umbilical, 5'
 Utility center
 contoured housing and cover (with this package)
 air pressure regulator with filter
 master air shut-off valve
 Chair adapter, fixed
 Lifetime warranty under hood:
 handpiece control blocks, handpiece manifolds, diaphragms, water relay valves, needle control valves, toggle valves, shuttle valves, check valves

CUSPIDOR, DELUXE 1577

One-piece ceramic bowl w/touch lever water activator
 Automatic cup fill
 Timed bowl rinse

CUSPIDOR, BASIC 1677

Removable glass bowl, 8" diameter
 Manual cup fill
 Timed bowl rinse

LIGHT, HALOGEN 9080

3-Axis light head movement
 Automatic on/off activation with override
 Color shade matching
 temperature setting 4200K to 5500K
 Shadow free illumination

CHAIR, HYDRAULIC 3900

Ultraleather upholstery with wide back for elbow support
 Double articulating pinch-style headrest
 Thin back with full lumbar support
 Right/left patient access
 Swing-down locking armrests
 Hydraulic cantilever mechanism
 Emergency shut-off
 30 degree base rotation with lock
 Multifunction touchpad
 w/4 programmable preset positions
 Seat height: minimum 17" maximum 29"

FACTORY OPTIONS

DELIVERY SYSTEM W/STANDARD IC *

DELIVERY SYSTEM W/STANDARD IC *	8300	\$ 6400	
Handpiece illumination system			
one handpiece (5-hole), accommodates 1 add'l tubing	1700-012-CS	265	
add'l handpiece illumination tubing (5-hole)	0017-694-CS	220	
one handpiece (6-pin), accommodates 1 add'l tubing	1700-017-CS	265	
add'l handpiece illumination tubing (6-pin)	0017-994-CS	220	
(!) time delay kit per hp illumination tubing	0014-122	160	
Additional handpiece position	1100-189-CS	385	
Additional handpiece position	1100-190-CS	185	
Less handpiece position	1700-099-CS	-100	
Heated syringe conversion kit (!) per syringe	1107-450-CS	285	
Additional brake handle activation (left)	0023-642-CS	125	
Swivel tray,* arm mounted option (over control head)	1110-468	300	
Self-contained clean water system,			
single bottle, 1½ liter in lieu of dual bottle	1700-201-CS	-100	
Less self-contained clean water system, dual bottle	1700-221-CS	-200	
Universal HVE in lieu of standard	1400-207-CS	N/C	
Additional autoclavable standard HVE			
w/tubing, 5' & autoclavable oral dry cup	1400-113-CS	75	
Quick disconnect w/flow control 1/4" (for water)	0016-454-CS	90	
Quick disconnect w/flow control 3/8" (for air)	0016-456-CS	90	
Electric vacuum activation	1400-199-CS	200	
Less telescoping arm and assistant's instrumentation	1400-000-CS	-350	
Touchpad * unit mount for 3900 chair	1700-081-CS	450	
Standard utility center in lieu of deluxe or contoured	1115-001-CS	-150	
Additional umbilical (per foot)	1115-999-CS	30	
Durr amalgam separator ready (separator not included)	1400-270-CS	200	
Chrome accents (see page 6)	9000-998-CS	120	
Bien-Air Optima MX INT electric handpiece controlBIEN-AIR	3995	
Bien-Air Optima MX INT dual electric handpiece controlBIEN-AIR-D	6375	
Satelec LED mini curing lightSATELEC-CL	1425	
Satelec SP Newton piezo/LED piezo scalerSATELEC-S/SATELEC-S-LED	1730/2220	
Air-Techniques Polaris intraoral cameraAIRTECH-C	4995	
CUSPIDOR, DELUXE	○ 1577	1300	
or BASIC	○ 1677	750	
Chrome accents (see page 6)	9000-999-CS	120	
LIGHT * (mounting options, see pages 77-79)	○ 9080	1475	
or	○ 9045	1875	
or	○ 9070	2275	
light post, 44" *	1110-998-CS	180	
Monitor mount assembly (monitor not included) (see page 80)			
Ring mount (used with light post)	1331RM	740	
Top post mount (used with monitor post)	1331TPM	740	
Monitor post (for top post mount)	1331-998-CS	180	
CHAIR, HYDRAULIC *	○ 3900	6590	
Additional touchpad (3900)	3914-102	450	
Additional foot control (3900)	3914-010	450	
Foot control in lieu of touchpad (3900)	3914-010-CS	N/C	
Touchpad * deduct chair mount (option on unit) (3900)	3914-081-CS	- 450	
Additional chair options (see page 70-71 for pricing, line item here)			
Stool, doctor's deluxe * w/Ultraleather upholstery	6126C	715	
Stool, assistant's deluxe * w/Ultraleather upholstery	6147C	1050	
Stool, assistant's value w/Ultraleather upholstery	6137C	825	

* ITEM included in AS SHOWN PACKAGE price

TOTAL

DESIGNER FRIENDLY™ SURFACE TREATMENTS (N/C) (see page 6 & 7)

Unit plastic finishes:	○ Forest Grey	○ Lemans (carbon fiber)	○ Laser Leather (carbon fiber)	○ Greywood (carbon fiber)
Powder coat paint for Unit, & Light	○ Forest Grey	○ Shadow	○ Pearl	○ Charcoal
	○ Pewter	○ Sage	○ Bronze	○ Arctic Silver
Powder coat paint for 3900 Chair	○ Forest Grey	○ Shadow		
Upholstery color choice (page 132):		○ Plush		○ Asepsis (3900 only)

fixed chair mount with sidebox packages

package 8 | contoured IC control head

BASE PACKAGE

\$ 16,410

8350 DELIVERY SYSTEM
3900 Chair
9080 Light & Post
6126C Dr's Stool
6147C Assistant's Stool

AS SHOWN PACKAGE

\$ 17,710

ADDITIONALLY EQUIPPED WITH:
1577 Deluxe Cuspidor



Lifetime warranty under hood:

handpiece control blocks, handpiece manifolds, diaphragms, water relay valves, needle control valves, toggle valves, shuttle valves, check valves

Upholstery color swatches, see page 7
Designer Friendly™ color swatches, see page 7
Equipment dimensions, see pages 134

Shipping weight estimate:

delivery unit only	105 lb / 48 kg
base package	556 lb / 253 kg
as shown package	573 lb / 260 kg

POPULAR EQUIPMENT CHOICES



ADD CUSPIDOR 1677
base **\$17,160**
as shown **\$17,160**
in lieu of 1577



ADD ARM MOUNTED
SWIVEL TRAY
base **\$16,710**
as shown **\$18,010**



ADD MONITOR MOUNT 1331RM
base **\$17,150**
as shown **\$18,450**

STANDARD FEATURES

DELIVERY SYSTEM 8350

Automatic control for three handpieces
 asepsis 3-way air/water syringe w/tubing, 4' handpiece tubing, 4-hole Midwest, asepsis style, 4' pneumatic master control block w/diaphragm master on/off
 individual handpiece pressure adjustment
 individual water coolant adjustment
 non-retraction water coolant with on/off air coolant adjustment
 handpiece flush
 handpiece exhaust filter/oil collector
 single handle brake release function
 wet/dry foot control
 Flexible control arm with pneumatic brake vertical travel 28" / horizontal travel 62"
 Sidebox with self-contained clean water system dual bottles, 1½ liters each electrical outlet/UL
 Telescoping arm with swivel quad holder bar
 Central vacuum accessory package
 central vacuum canister w/disposable solids collector
 asepsis 3-way air/water syringe w/tubing, 5' autoclavable standard HVE lever valve w/tubing, 5' autoclavable saliva ejector lever valve w/tubing, 5'
 External umbilical, 5'
 Utility center
 contoured housing and cover (with this package)
 air pressure regulator with filter
 master air shut-off valve
 Chair adapter, fixed
 Lifetime warranty under hood:
 handpiece control blocks, handpiece manifolds, diaphragms, water relay valves, needle control valves, toggle valves, shuttle valves, check valves

CUSPIDOR, DELUXE 1577

One-piece ceramic bowl w/touch lever water activator
 Automatic cup fill
 Timed bowl rinse

CUSPIDOR, BASIC 1677

Removable glass bowl, 8" diameter
 Manual cup fill
 Timed bowl rinse

LIGHT, HALOGEN 9080

3-Axis light head movement
 Automatic on/off activation with override
 Color shade matching
 temperature setting 4200K to 5500K
 Shadow free illumination

CHAIR, HYDRAULIC 3900

Ultraleather upholstery with wide back for elbow support
 Double articulating pinch-style headrest
 Thin back with full lumbar support
 Right/left patient access
 Swing-down locking armrests
 Hydraulic cantilever mechanism
 Emergency shut-off
 30 degree base rotation with lock
 Multifunction touchpad
 w/4 programmable preset positions
 Seat height: minimum 17" maximum 29"

FACTORY OPTIONS

DELIVERY SYSTEM W/CONTOURED IC *

DELIVERY SYSTEM W/CONTOURED IC *	8350	\$ 6400	
Handpiece illumination system			
one handpiece (5-hole), accommodates 1 add'l tubing	1700-012-CS	265	
add'l handpiece illumination tubing (5-hole)	0017-694-CS	220	
one handpiece (6-pin), accommodates 1 add'l tubing	1700-017-CS	265	
add'l handpiece illumination tubing (6-pin)	0017-994-CS	220	
(!) time delay kit per hp illumination tubing	0014-122	160	
Additional handpiece position, wet	1100-189-CS	385	
Additional handpiece position, air drive only	1100-190-CS	185	
Less handpiece position	1700-099-CS	-100	
Heated syringe conversion kit (!) per syringe	1107-450-CS	285	
Additional brake handle activation (left)	0023-642-CS	125	
Swivel tray, arm mounted option (over control head)	1110-468	300	
Self-contained clean water system,			
single bottle, 1½ liter in lieu of dual bottle	1700-201-CS	-100	
Less self-contained clean water system, dual bottle	1700-221-CS	-200	
Universal HVE in lieu of standard	1400-207-CS	N/C	
Additional autoclavable standard HVE			
w/tubing, 5' & autoclavable oral dry cup	1400-113-CS	75	
Quick disconnect w/flow control 1/4" (for water)	0016-454-CS	90	
Quick disconnect w/flow control 3/8" (for air)	0016-456-CS	90	
Electric vacuum activation	1400-199-CS	200	
Less telescoping arm and assistant's instrumentation	1400-000-CS	-350	
Touchpad, unit mount for 3900 chair	1700-081-CS	450	
Standard utility center in lieu of deluxe or contoured	1115-001-CS	-150	
Additional umbilical (per foot)	1115-999-CS	30	
Durr amalgam separator ready (separator not included)	1400-270-CS	200	
Chrome accents (see page 6)	9000-998-CS	120	
Bien-Air Optima MX INT electric handpiece control	BIEN-AIR	3995	
Bien-Air Optima MX INT dual electric handpiece control	BIEN-AIR-D	6375	
Satelec LED mini curing light	SATELEC-CL	1425	
Satelec SP Newtron piezo/LED piezo scaler	SATELEC-S/SATELEC-S-LED	1730/2220	
Air-Techniques Polaris intraoral camera	AIRTECH-C	4995	
CUSPIDOR, DELUXE *	1577	1300	
or BASIC	1677	750	
Chrome accents (see page 6)	9000-999-CS	120	
LIGHT * (mounting options, see pages 77-79)	9080	1475	
or	9045	1875	
or	9070	2275	
light post * 44"	1110-998-CS	180	
Monitor mount assembly (monitor not included) (see page 80)			
Ring mount (used with light post)	1331RM	740	
Top post mount (used with monitor post)	1331TPM	740	
Monitor post (for top post mount)	1331-998-CS	180	
CHAIR, HYDRAULIC *	3900	6590	
Additional touchpad (3900)	3914-102	450	
Additional foot control (3900)	3914-010	450	
Foot control in lieu of touchpad (3900)	3914-010-CS	N/C	
Touchpad deduct chair mount (option on unit) (3900)	3914-081-CS	-450	
Additional chair options (see page 70-71 for pricing, line item here)			
Stool, doctor's deluxe * w/Ultraleather upholstery	6126C	715	
Stool, assistant's deluxe * w/Ultraleather upholstery	6147C	1050	
Stool, assistant's value w/Ultraleather upholstery	6137C	825	
* ITEM included in AS SHOWN PACKAGE price			TOTAL

DESIGNER FRIENDLY™ SURFACE TREATMENTS (N/C) (see page 6 & 7)

Unit plastic finishes:	<input type="radio"/> Forest Grey	<input type="radio"/> Lemans (carbon fiber)	<input type="radio"/> Laser Leather (carbon fiber)	<input type="radio"/> Greywood (carbon fiber)
Powder coat paint for Unit, & Light	<input type="radio"/> Forest Grey <input type="radio"/> Pewter	<input type="radio"/> Shadow <input type="radio"/> Sage	<input type="radio"/> Pearl <input type="radio"/> Bronze	<input type="radio"/> Charcoal <input type="radio"/> Arctic Silver
Powder coat paint for 3900 Chair	<input type="radio"/> Forest Grey	<input type="radio"/> Shadow		
Upholstery color choice (page 132) :		<input type="radio"/> Plush	<input type="radio"/> Asepsis (3900 only)	

fixed chair mount with sidebox packages

package 9 | euro control head

BASE PACKAGE **\$ 19,860**

8807 DELIVERY SYSTEM
6300 Chair, 9045 Light & Post
6126C Dr's Stool, 6147C Assistant's Stool

AS LOW AS **\$ 17,260**

Substitute 3900 Chair & 9080 Light
(in lieu of 6300 Chair & 9045 Light)

AS SHOWN PACKAGE **\$ 21,360**

ADDITIONALLY EQUIPPED WITH:
Touchpad in lieu of foot control
1576 Deluxe Cuspidor



Lifetime warranty under hood:
handpiece control blocks, handpiece manifolds, diaphragms, water relay valves, needle control valves, toggle valves, shuttle valves, check valves

Upholstery color swatches, see page 7
Designer Friendly™ color swatches, see page 7
Equipment dimensions, see page 134

Shipping weight estimate:
delivery unit only 110 lb / 50 kg
base package 626 lb / 285 kg
as shown package 646 lb / 294 kg

POPULAR EQUIPMENT CHOICES



ADD CUSPIDOR 1676
base **\$20,610**
as shown **\$20,810**
in lieu of 1576



ADD ADD'L HVE POSITION
W/ORAL DRY CUP
Add **\$ 75**



ADD MONITOR MOUNT 1331RM
base **\$20,600**
as shown **\$22,100**
(monitor not included)

STANDARD FEATURES

DELIVERY SYSTEM 8807

Automatic control for four handpieces
 asepsis 3-way air/water syringe w/tubing, 4'
 handpiece tubing, 4-hole Midwest, asepsis style, 4'
 pneumatic master control block w/diaphragm
 master on/off
 individual handpiece pressure adjustment
 individual water coolant adjustment
 non-retraction water coolant with on/off
 air coolant adjustment
 handpiece flush
 handpiece exhaust filter/oil collector
 dual handle brake release function
 swivel instrument tray
 wet/dry foot control
 Flexible control arm with pneumatic brake
 vertical travel 28" / horizontal travel 62"
 Sidebox with self-contained clean water system
 dual bottles, 1½ liters each
 electrical outlet/UL
 Telescoping arm with swivel quad holder bar
 Central vacuum accessory package
 central vacuum canister w/disposable solids collector
 asepsis 3-way air/water syringe w/tubing, 5'
 autoclavable standard HVE lever valve w/tubing, 5'
 autoclavable saliva ejector lever valve w/tubing, 5'
 External umbilical, 5'
 Utility center
 deluxe housing and cover (with this package)
 air pressure regulator with filter
 master air shut-off valve
 Chair adapter, fixed
 Lifetime warranty under hood:
 handpiece control blocks, handpiece manifolds,
 diaphragms, water relay valves, needle control valves,
 toggle valves, shuttle valves, check valves

CUSPIDOR, DELUXE 1576

One-piece ceramic bowl w/touch lever water activator
 Automatic cup fill
 Timed bowl rinse
 Swivel assistant's quad holder bar

CUSPIDOR, BASIC 1676

Removable glass bowl, 8" diameter
 Manual cup fill
 Timed bowl rinse
 Individual assistant's instrumentation holders

LIGHT, HALOGEN 9045

Automatic on/off activation with override
 Cooling fan
 Light defeat wheel
 Color shade matching, temp. setting 5000K, constant
 Shadow free illumination
 Easy release autoclavable handles

CHAIR, HYDRAULIC 6300

Ultraleather upholstery w/elbow support fold-up wings
 Double articulating pinch-style headrest
 Thin back w/full lumbar support
 Right/left patient access
 Swing-down locking armrests
 Hydraulic cantilever mechanism
 Emergency shut-off
 30 degree base rotation with lock
 Multifunction foot control
 w/4 programmable preset positions
 Soft-touch back massager
 Seat height: minimum 17" maximum 29"

FACTORY OPTIONS

DELIVERY SYSTEM W/EURO *

DELIVERY SYSTEM W/EURO *	8807	\$ 7250	
Handpiece illumination system			
one handpiece (5-hole), accommodates 1 add'l tubing1700-012-CS	265	
add'l handpiece illumination tubing (5-hole)0017-694-CS	220	
one handpiece (6-pin), accommodates 1 add'l tubing1700-017-CS	265	
add'l handpiece illumination tubing (6-pin)0017-994-CS	220	
(1) time delay kit per hp illumination tubing0014-122	160	
Additional handpiece position, wet1100-189-CS	385	
Additional handpiece position, air drive only1100-190-CS	185	
Less handpiece position (euro)1700-199-CS	-175	
Heated syringe conversion kit (1) per syringe1107-450-CS	285	
Self-contained clean water system,			
single bottle, 1½ liter in lieu of dual bottle1700-201-CS	-100	
Less self-contained clean water system, dual bottle1700-221-CS	-200	
Universal HVE in lieu of standard1400-207-CS	N/C	
Additional autoclavable standard HVE			
w/tubing, 5' & autoclavable oral dry cup1400-113-CS	75	
Quick disconnect w/flow control 1/4" (for water)0016-454-CS	90	
Quick disconnect w/flow control 3/8" (for air)0016-456-CS	90	
Electric vacuum activation1400-199-CS	200	
Less telescoping arm and assistant's instrumentation1400-000-CS	-350	
Touchpad unit mount for 6300 chair1700-082-CS	600	
Touchpad, unit mount for 3900 chair1700-081-CS	450	
Standard utility center in lieu of deluxe or contoured1115-001-CS	-150	
Additional umbilical (per foot)1115-999-CS	30	
Durr amalgam separator ready (separator not included)1400-270-CS	200	
Chrome accents (see page 6)9000-998-CS	120	
Bien-Air Optima MX INT electric handpiece controlBIEN-AIR	3995	
Bien-Air Optima MX INT dual electric handpiece controlBIEN-AIR-D	6375	
Satelec LED mini curing lightSATELEC-CL	1425	
Satelec SP Newtron piezo/LED piezo scalerSATELEC-S/SATELEC-S-LED	1730/2220	
Air-Techniques Polaris intraoral cameraAIRTECH-C	4995	
CUSPIDOR, DELUXE *	○ 1576	1300	
or BASIC	○ 1676	750	
Chrome accents (see page 6)9000-999-CS	120	
LIGHT * (mounting options, see pages 77-79)	9045	1875	
or	○ 9080	1475	
or	○ 9070	2275	
light post, 44" *	1110-998-CS	180	
Monitor mount assembly (monitor not included) (see page 80)			
Ring mount (used with light post)1331RM	740	
Top post mount (used with monitor post)1331TPM	740	
Monitor post (for top post mount)1331-998-CS	180	
CHAIR, HYDRAULIC *	○ 6300	8790	
or	○ 3900	6590	
Additional touchpad (3900/6300)3914-102/6114-102	450/500	
Additional foot control (3900/6300)3914-010/6114-010	450/425	
Foot control in lieu of touchpad (3900)3914-010-CS	N/C	
Touchpad * in lieu of foot control (6300)6114-102-CS	200	
Touchpad deduct chair mount (option on unit) (3900)3914-081-CS	-450	
Touchpad deduct foot control (option on unit) (6300)6114-082-CS	-400	
Additional chair options (see page 70-71 for pricing, line item here)			
Stool, doctor's deluxe * w/Ultraleather upholstery6126C	715	
Stool, assistant's deluxe * w/Ultraleather upholstery6147C	1050	
Stool, assistant's value w/Ultraleather upholstery6137C	825	

* ITEM included in AS SHOWN PACKAGE price

TOTAL

DESIGNER FRIENDLY™ SURFACE TREATMENTS (N/C) (see page 6 & 7)

Unit plastic finishes:	<input type="radio"/> Forest Grey	<input type="radio"/> Lemans (carbon fiber)	<input type="radio"/> Laser Leather (carbon fiber)	<input type="radio"/> Greywood (carbon fiber)
Powder coat paint for Unit, & Light	<input type="radio"/> Forest Grey <input type="radio"/> Pewter	<input type="radio"/> Shadow <input type="radio"/> Sage	<input type="radio"/> Pearl <input type="radio"/> Bronze	<input type="radio"/> Charcoal <input type="radio"/> Arctic Silver
Powder coat paint for 3900 Chair	<input type="radio"/> Forest Grey	<input type="radio"/> Shadow		
Upholstery color choice (page 132):		<input type="radio"/> Plush	<input type="radio"/> Asepsis (3900 only)	

fixed chair mount with sidebox packages

package 10 | value control head

BASE PACKAGE

\$ 15,035

- 4118 DELIVERY SYSTEM
- 3900 Chair
- 9080 Light & Post
- 6126C Dr's Stool
- 6137C Assistant's Stool

AS SHOWN PACKAGE

\$ 15,785

- ADDITIONALLY EQUIPPED WITH:
- Unit Mount Touchpad
 - 1676 Basic Cuspidor



Lifetime warranty under hood:

handpiece control blocks, handpiece manifolds, diaphragms, water relay valves, needle control valves, toggle valves, shuttle valves, check valves

Upholstery color swatches, see page 7
Designer Friendly™ color swatches, see page 7
Equipment dimensions, see pages 134

Shipping weight estimate:

delivery unit only	104 lb / 48 kg
base package	547 lb / 249 kg
as shown package	567 lb / 258 kg

POPULAR EQUIPMENT CHOICES



ADD CUSPIDOR 1576
base **\$16,335**
as shown **\$16,335**
in lieu of 1676



ADD ARM MOUNTED
SWIVEL TRAY
base **\$15,335**
as shown **\$16,085**



ADD MONITOR MOUNT 1331RM
base **\$15,775**
as shown **\$16,525**

STANDARD FEATURES

DELIVERY SYSTEM 4118

Automatic control for three handpieces
 asepsis 3-way air/water syringe w/tubing, 4' handpiece tubing, 4-hole Midwest, asepsis style, 4' individual pinch valve control blocks
 master on/off
 individual handpiece pressure adjustment
 individual water coolant adjustment
 non-retraction water coolant adjustment
 air coolant adjustment
 handpiece flush
 handpiece exhaust filter/oil collector
 single handle brake release function
 wet/dry foot control
 Flexible control arm with pneumatic brake
 vertical travel 28" / horizontal travel 62"
 Sidebox with self-contained clean water system
 dual bottles, 1½ liters each
 electrical outlet/UL
 Telescoping arm with swivel quad holder bar
 Central vacuum accessory package
 central vacuum canister w/disposable solids collector
 asepsis 3-way air/water syringe w/tubing, 5' autoclavable standard HVE lever valve w/tubing, 5' autoclavable saliva ejector lever valve w/tubing, 5'
 External umbilical, 5'
 Utility center
 contoured housing and cover (with this package)
 air pressure regulator with filter
 master air shut-off valve
 Chair adapter, fixed
 Lifetime warranty under hood:
 handpiece control blocks, handpiece manifolds, diaphragms, water relay valves, needle control valves, toggle valves, shuttle valves, check valves

CUSPIDOR, BASIC 1676

Removable glass bowl, 8" diameter
 Manual cup fill
 Timed bowl rinse
 Individual assistant's instrumentation holders

CUSPIDOR, DELUXE 1576

One-piece ceramic bowl w/touch lever water activator
 Automatic cup fill
 Timed bowl rinse
 Swivel assistant's quad holder bar

LIGHT, HALOGEN 9080

3-Axis light head movement
 Automatic on/off activation with override
 Color shade matching
 temperature setting 4200K to 5500K
 Shadow free illumination

CHAIR, HYDRAULIC 3900

Ultraleather upholstery with wide back for elbow support
 Double articulating pinch-style headrest
 Thin back with full lumbar support
 Right/left patient access
 Swing-down locking armrests
 Hydraulic cantilever mechanism
 Emergency shut-off
 30 degree base rotation with lock
 Multifunction touchpad
 w/4 programmable preset positions
 Seat height: minimum 17" maximum 29"

FACTORY OPTIONS

DELIVERY SYSTEM W/VALUE *

Handpiece illumination system			
one handpiece (5-hole), accommodates 1 add'l tubing	1700-012-CS	265	
add'l handpiece illumination tubing (5-hole)	0017-694-CS	220	
one handpiece (6-pin), accommodates 1 add'l tubing	1700-017-CS	265	
add'l handpiece illumination tubing (6-pin)	0017-994-CS	220	
(!) time delay kit per hp illumination tubing	0014-122	160	
Additional handpiece position, wet	1100-189-CS	385	
Additional handpiece position, air drive only	1100-190-CS	185	
Less handpiece position	1700-099-CS	-100	
Heated syringe conversion kit (!) per syringe	1107-450-CS	285	
Additional brake handle activation (left)	0023-642-CS	125	
Swivel tray, arm mounted option (over control head)	1110-468	300	
Self-contained clean water system,			
single bottle, 1½ liter in lieu of dual bottle	1700-201-CS	-100	
Less self-contained clean water system, dual bottle	1700-221-CS	-200	
Universal HVE in lieu of standard	1400-207-CS	N/C	
Additional autoclavable standard HVE			
w/tubing, 5' & autoclavable oral dry cup	1400-113-CS	75	
Quick disconnect w/flow control 1/4" (for water)	0016-454-CS	90	
Quick disconnect w/flow control 3/8" (for air)	0016-456-CS	90	
Electric vacuum activation	1400-199-CS	200	
Less telescoping arm and assistant's instrumentation	1400-000-CS	-350	
Touchpad * unit mount for 3900 chair	1700-081-CS	450	
Standard utility center in lieu of deluxe or contoured	1115-001-CS	-150	
Additional umbilical (per foot)	1115-999-CS	30	
Durr amalgam separator ready (separator not included)	1400-270-CS	200	
Chrome accents (see page 6)	9000-998-CS	120	
Bien-Air Optima MX INT electric handpiece control	.BIEN-AIR	3995	
Bien-Air Optima MX INT dual electric handpiece control	.BIEN-AIR-D	6375	
Satelec LED mini curing light	.SATELEC-CL	1425	
Satelec SP Newton piezo/LED piezo scaler	.SATELEC-S/SATELEC-S-LED	1730/2220	
Air-Techniques Polaris intraoral camera	.AIRTECH-C	4995	
CUSPIDOR, BASIC *	1676	750	
or DELUXE	1576	1300	
Chrome accents (see page 6)	9000-999-CS	120	
LIGHT * (mounting options, see pages 77-79)	9080	1475	
or	9045	1875	
or	9070	2275	
light post, 44" *	1110-998-CS	180	
Monitor mount assembly (monitor not included) (see page 80)			
Ring mount (used with light post)	1331RM	740	
Top post mount (used with monitor post)	1331TPM	740	
Monitor post (for top post mount)	1331-998-CS	180	
CHAIR, HYDRAULIC *	3900	6590	
Additional touchpad (3900)	3914-102	450	
Additional foot control (3900)	3914-010	450	
Foot control in lieu of touchpad (3900)	3914-010-CS	N/C	
Touchpad * deduct chair mount (option on unit) (3900)	3914-081-CS	-450	
Additional chair options (see page 70-71 for pricing, line item here)			
Stool, doctor's deluxe * w/Ultraleather upholstery	6126C	715	
Stool, assistant's value * w/Ultraleather upholstery	6137C	825	
Stool, assistant's deluxe w/Ultraleather upholstery	6147C	1050	
* ITEM included in AS SHOWN PACKAGE price			
		TOTAL	

DESIGNER FRIENDLY™ SURFACE TREATMENTS (N/C) (see page 6 & 7)

Unit plastic finishes:	<input type="radio"/> Forest Grey	<input type="radio"/> Lemans (carbon fiber)	<input type="radio"/> Laser Leather (carbon fiber)	<input type="radio"/> Greywood (carbon fiber)
Powder coat paint for Unit, & Light	<input type="radio"/> Forest Grey	<input type="radio"/> Shadow	<input type="radio"/> Pearl	<input type="radio"/> Charcoal
	<input type="radio"/> Pewter	<input type="radio"/> Sage	<input type="radio"/> Bronze	<input type="radio"/> Arctic Silver
Powder coat paint for 3900 Chair	<input type="radio"/> Forest Grey	<input type="radio"/> Shadow		
Upholstery color choice (page 132) :		<input type="radio"/> Plush	<input type="radio"/> Asepsis (3900 only)	

fixed chair mount with sidebox packages

package 11 | hygienist IC control head



BASE PACKAGE **\$ 15,260**

- 4455 DELIVERY SYSTEM
- 3900 Chair
- 9080 Light & Post
- 6126C Dr's Stool

AS SHOWN PACKAGE **\$ 15,560**

- ADDITIONALLY EQUIPPED WITH:
- Unit Mount Touchpad
 - Arm Mounted Swivel Tray

Lifetime warranty under hood:
handpiece control blocks, handpiece manifolds, diaphragms, water relay valves, needle control valves, toggle valves, shuttle valves, check valves

Upholstery color swatches, see page 7
Designer Friendly™ color swatches, see page 7
Equipment dimensions, see pages 134

Shipping weight estimate:
delivery unit only 105 lb / 48 kg
base package 514 lb / 234 kg
as shown package 519 lb / 236 kg

POPULAR EQUIPMENT CHOICES



ADD CUSPIDOR 1577
base **\$16,560**
as shown **\$16,860**



ADD CUSPIDOR 1677
base **\$16,010**
as shown **\$16,310**



ADD MONITOR MOUNT 1331RM
base **\$16,000**
as shown **\$16,300**
(monitor not included)

STANDARD FEATURES

DELIVERY SYSTEM 4455

Automatic control for two handpieces
 central vacuum canister w/disposable solids collector
 asepsis 3-way air/water syringe w/tubing, 5'
 autoclavable standard HVE lever valve w/tubing, 5'
 autoclavable saliva ejector lever valve w/tubing, 5'
 handpiece tubing, 4-hole Midwest, asepsis style, 4'
 pneumatic master control block w/diaphragm
 master on/off
 individual handpiece pressure adjustment
 individual water coolant adjustment
 non-retraction water coolant adjustment
 air coolant adjustment
 handpiece flush
 handpiece exhaust filter/oil collector
 single handle brake release function
 wet/dry foot control
 Flexible control arm with pneumatic brake
 vertical travel 28" / horizontal travel 62"
 Sidebox with self-contained clean water system
 dual bottles, 1½ liters each
 electrical outlet/UL
 External umbilical, 5'
 Utility center
 contoured housing and cover (with this package)
 air pressure regulator with filter
 master air shut-off valve
 Chair adapter, fixed
 Lifetime warranty under hood:
 handpiece control blocks, handpiece manifolds,
 diaphragms, water relay valves, needle control valves,
 toggle valves, shuttle valves, check valves

CUSPIDOR, DELUXE 1577

One-piece ceramic bowl w/touch lever water activator
 Automatic cup fill
 Timed bowl rinse

CUSPIDOR, BSIC 1677

Removable glass bowl, 8" diameter
 Manual cup fill
 Timed bowl rinse

LIGHT, HALOGEN 9080

3-Axis light head movement
 Automatic on/off activation with override
 Color shade matching
 temperature setting 4200K to 5500K
 Shadow free illumination

CHAIR, HYDRAULIC 3900

Ultraleather upholstery with wide back
 for elbow support
 Double articulating pinch-style headrest
 Thin back with full lumbar support
 Right/left patient access
 Swing-down locking armrests
 Hydraulic cantilever mechanism
 Emergency shut-off
 30 degree base rotation with lock
 Multifunction touchpad
 w/4 programmable preset positions
 Seat height: minimum 17" maximum 29"

FACTORY OPTIONS

DELIVERY SYSTEM W/HYGIENIST IC *

	PART NO	RETAIL	PRICE
DELIVERY SYSTEM W/HYGIENIST IC *	4455	\$ 6300	
Handpiece illumination system			
one handpiece (5-hole), accommodates 1 add'l tubing	1700-012-CS	265	
add'l handpiece illumination tubing (5-hole)	0017-694-CS	220	
one handpiece (6-pin), accommodates 1 add'l tubing	1700-017-CS	265	
add'l handpiece illumination tubing (6-pin)	0017-994-CS	220	
(I) time delay kit per hp illumination tubing	0014-122	160	
Additional handpiece position, wet	1100-189-CS	385	
Additional handpiece position, air drive only	1100-190-CS	185	
Less handpiece position	1700-099-CS	-100	
Heated syringe conversion kit (I) per syringe	1107-450-CS	285	
Additional brake handle activation (left)	0023-642-CS	125	
Swivel tray,* arm mounted option (over control head)	1110-468	300	
Self-contained clean water system,			
single bottle, 1½ liter in lieu of dual bottle	1700-201-CS	-100	
Less self-contained clean water system, dual bottle	1700-221-CS	-200	
Universal HVE in lieu of standard	1400-207-CS	N/C	
Additional autoclavable standard HVE			
w/tubing, 5' & autoclavable oral dry cup	1400-113-CS	75	
Quick disconnect w/flow control 1/4" (for water)	0016-454-CS	90	
Quick disconnect w/flow control 3/8" (for air)	0016-456-CS	90	
Electric vacuum activation	1400-199-CS	200	
Touchpad * unit mount for 3900 chair	1700-081-CS	450	
Standard utility center in lieu of deluxe or contoured	1115-001-CS	-150	
Additional umbilical (per foot)	1115-999-CS	30	
Durr amalgam separator ready (separator not included)	1400-270-CS	200	
Chrome accents (see page 6)	9000-998-CS	120	
Bien-Air Optima MX INT electric handpiece control	BIEN-AIR	3995	
Bien-Air Optima MX INT dual electric handpiece control	BIEN-AIR-D	6375	
Satelec LED mini curing light	SATELEC-CL	1425	
Satelec SP Newtron piezo/LED piezo scaler	SATELEC-S/SATELEC-S-LED	1730/2220	
Air-Techniques Polaris intraoral camera	AIRTECH-C	4995	
CUSPIDOR, DELUXE	<input type="radio"/> 1577	1300	
or BASIC	<input type="radio"/> 1677	750	
Chrome accents (see page 6)	9000-999-CS	120	
LIGHT * (mounting options, see pages 77-79)	<input type="radio"/> 9080	1475	
or	<input type="radio"/> 9045	1875	
or	<input type="radio"/> 9070	2275	
light post, 44" *	1110-998-CS	180	
Monitor mount assembly (monitor not included) (see page 80)			
Ring mount (used with light post)	1331RM	740	
Top post mount (used with monitor post)	1331TPM	740	
Monitor post (for top post mount)	1331-998-CS	180	
CHAIR, HYDRAULIC *	<input type="radio"/> 3900	6590	
Additional touchpad (3900)	3914-102	450	
Additional foot control (3900)	3914-010	450	
Foot control in lieu of touchpad (3900)	3914-010-CS	N/C	
Touchpad * deduct chair mount (option on unit) (3900)	3914-081-CS	- 450	
Additional chair options (see page 70-71 for pricing, line item here)			
Stool, doctor's deluxe * w/Ultraleather upholstery	6126C	715	
Stool, assistant's deluxe w/Ultraleather upholstery	6147C	1050	
Stool, assistant's value w/Ultraleather upholstery	6137C	825	
* ITEM included in AS SHOWN PACKAGE price			
	TOTAL		

DESIGNER FRIENDLY™ SURFACE TREATMENTS (N/C) (see page 6 & 7)

Unit plastic finishes:	<input type="radio"/> Forest Grey	<input type="radio"/> Lemans (carbon fiber)	<input type="radio"/> Laser Leather (carbon fiber)	<input type="radio"/> Greywood (carbon fiber)
Powder coat paint for Unit, & Light	<input type="radio"/> Forest Grey <input type="radio"/> Pewter	<input type="radio"/> Shadow <input type="radio"/> Sage	<input type="radio"/> Pearl <input type="radio"/> Bronze	<input type="radio"/> Charcoal <input type="radio"/> Arctic Silver
Powder coat paint for 3900 Chair	<input type="radio"/> Forest Grey	<input type="radio"/> Shadow		
Upholstery color choice (page 132):		<input type="radio"/> Plush	<input type="radio"/> Asepsis (3900 only)	

fixed chair mount with sidebox packages

package 12 | hygienist value control head



BASE PACKAGE **\$ 14,110**

- 4158 DELIVERY SYSTEM
- 3900 Chair
- 9080 Light & Post
- 6126C Dr's Stool

AS SHOWN PACKAGE **\$ 14,860**

- ADDITIONALLY EQUIPPED WITH:
- 1677 Deluxe Cuspidor

Lifetime warranty under hood:
handpiece control blocks, handpiece manifolds, diaphragms, water relay valves, needle control valves, toggle valves, shuttle valves, check valves

Upholstery color swatches, see page 7
Designer Friendly™ color swatches, see page 7
Equipment dimensions, see pages 134

Shipping weight estimate:
delivery unit only 105 lb / 48 kg
base package 514 lb / 233 kg
as shown package 528 lb / 240 kg

POPULAR EQUIPMENT CHOICES



ADD CUSPIDOR 1577
base **\$15,410**
as shown **\$15,410**
in lieu of 1677



ADD ARM MOUNTED
SWIVEL TRAY
base **\$14,410**
as shown **\$15,160**



ADD MONITOR MOUNT 1331RM
base **\$14,850**
as shown **\$15,600**
(monitor not included)

STANDARD FEATURES

DELIVERY SYSTEM 4158

Automatic control for two handpieces
 central vacuum canister w/disposable solids collector
 asepsis 3-way air/water syringe w/tubing, 5'
 autoclavable standard HVE lever valve w/tubing, 5'
 autoclavable saliva ejector lever valve w/tubing, 5'
 handpiece tubing, 4-hole Midwest, asepsis style, 4'
 individual pinch valve control block
 master on/off
 individual handpiece pressure adjustment
 individual water coolant adjustment
 non-retraction water coolant adjustment
 air coolant adjustment
 handpiece flush
 handpiece exhaust filter/oil collector
 single handle brake release function
 wet/dry foot control
 Flexible control arm with pneumatic brake
 vertical travel 28" / horizontal travel 62"
 Sidebox with self-contained clean water system
 dual bottles, 1½ liters each
 electrical outlet/UL
 External umbilical, 5'
 Utility center
 contoured housing and cover (with this package)
 air pressure regulator with filter
 master air shut-off valve
 Chair adapter, fixed
 Lifetime warranty under hood:
 handpiece control blocks, handpiece manifolds,
 diaphragms, water relay valves, needle control valves,
 toggle valves, shuttle valves, check valves

CUSPIDOR, DELUXE 1577

One-piece ceramic bowl w/touch lever water activator
 Automatic cup fill
 Timed bowl rinse

CUSPIDOR, BASIC 1677

Removable glass bowl, 8" diameter
 Manual cup fill
 Timed bowl rinse

LIGHT, HALOGEN 9080

3-Axis light head movement
 Automatic on/off activation with override
 Color shade matching
 temperature setting 4200K to 5500K
 Shadow free illumination

CHAIR, HYDRAULIC 3900

Ultraleather upholstery with wide back
 for elbow support
 Double articulating pinch-style headrest
 Thin back with full lumbar support
 Right/left patient access
 Swing-down locking armrests
 Hydraulic cantilever mechanism
 Emergency shut-off
 30 degree base rotation with lock
 Multifunction touchpad
 w/4 programmable preset positions
 Seat height: minimum 17" maximum 29"

FACTORY OPTIONS

DELIVERY SYSTEM W/HYGIENIST VALUE *

Handpiece illumination system		
one handpiece (5-hole), accommodates 1 add'l tubing	1700-012-CS	265
add'l handpiece illumination tubing (5-hole)	0017-694-CS	220
one handpiece (6-pin), accommodates 1 add'l tubing	1700-017-CS	265
add'l handpiece illumination tubing (6-pin)	0017-994-CS	220
(1) time delay kit per hp illumination tubing	0014-122	160
Additional handpiece position, wet	1100-189-CS	385
Additional handpiece position, air drive only	1100-190-CS	185
Less handpiece position	1700-099-CS	-100
Heated syringe conversion kit (1) per syringe	1107-450-CS	285
Additional brake handle activation (left)	0023-642-CS	125
Swivel tray, arm mounted option (over control head)	1110-468	300
Self-contained clean water system,		
single bottle, 1½ liter in lieu of dual bottle	1700-201-CS	-100
Less self-contained clean water system, dual bottle	1700-221-CS	-200
Universal HVE in lieu of standard	1400-207-CS	N/C
Additional autoclavable standard HVE		
w/tubing, 5' & autoclavable oral dry cup	1400-113-CS	75
Quick disconnect w/flow control 1/4" (for water)	0016-454-CS	90
Quick disconnect w/flow control 3/8" (for air)	0016-456-CS	90
Electric vacuum activation	1400-199-CS	200
Touchpad unit mount for 3900 chair	1700-081-CS	450
Standard utility center in lieu of deluxe or contoured	1115-001-CS	-150
Additional umbilical (per foot)	1115-999-CS	30
Durr amalgam separator ready (separator not included)	1400-270-CS	200
Chrome accents (see page 6)	9000-998-CS	120
Bien-Air Optima MX INT electric handpiece control	BIEN-AIR	3995
Bien-Air Optima MX INT dual electric handpiece control	BIEN-AIR-D	6375
Satelec LED mini curing light	SATELEC-CL	1425
Satelec SP Newtron piezo/LED piezo scaler	SATELEC-S/SATELEC-S-LED	1730/2220
Air-Techniques Polaris intraoral camera	AIRTECH-C	4995
CUSPIDOR, BASIC *	1677	750
or DELUXE	1577	1300
Chrome accents (see page 6)	9000-999-CS	120
LIGHT * (mounting options, see pages 77-79)	9080	1475
or	9045	1875
or	9070	2275
light post, 44" *	1110-998-CS	180
Monitor mount assembly (monitor not included) (see page 80)		
Ring mount (used with light post)	1331RM	740
Top post mount (used with monitor post)	1331TPM	740
Monitor post (for top post mount)	1331-998-CS	180
CHAIR, HYDRAULIC *	3900	6590
Additional touchpad (3900)	3914-102	450
Additional foot control (3900)	3914-010	450
Foot control in lieu of touchpad (3900)	3914-010-CS	N/C
Touchpad deduct chair mount (option on unit) (3900)	3914-081-CS	-450
Additional chair options (see page 70-71 for pricing, line item here)		
Stool, doctor's deluxe * w/Ultraleather upholstery	6126C	715
Stool, assistant's deluxe w/Ultraleather upholstery	6147C	1050
Stool, assistant's value w/Ultraleather upholstery	6137C	825

* ITEM included in AS SHOWN PACKAGE price

TOTAL

DESIGNER FRIENDLY™ SURFACE TREATMENTS (N/C) (see page 6 & 7)

Unit plastic finishes:	<input type="radio"/> Forest Grey	<input type="radio"/> Lemans (carbon fiber)	<input type="radio"/> Laser Leather (carbon fiber)	<input type="radio"/> Greywood (carbon fiber)
Powder coat paint for Unit, & Light	<input type="radio"/> Forest Grey	<input type="radio"/> Shadow	<input type="radio"/> Pearl	<input type="radio"/> Charcoal
	<input type="radio"/> Pewter	<input type="radio"/> Sage	<input type="radio"/> Bronze	<input type="radio"/> Arctic Silver
Powder coat paint for 3900 Chair	<input type="radio"/> Forest Grey	<input type="radio"/> Shadow		
Upholstery color choice (page 132):		<input type="radio"/> Plush	<input type="radio"/> Asepsis (3900 only)	

affordable excellence details

leave with a smile

(relax your patient with the patient controlled back massage system; optional on 3900 chair)

3 carbon fiber looks
(standard)

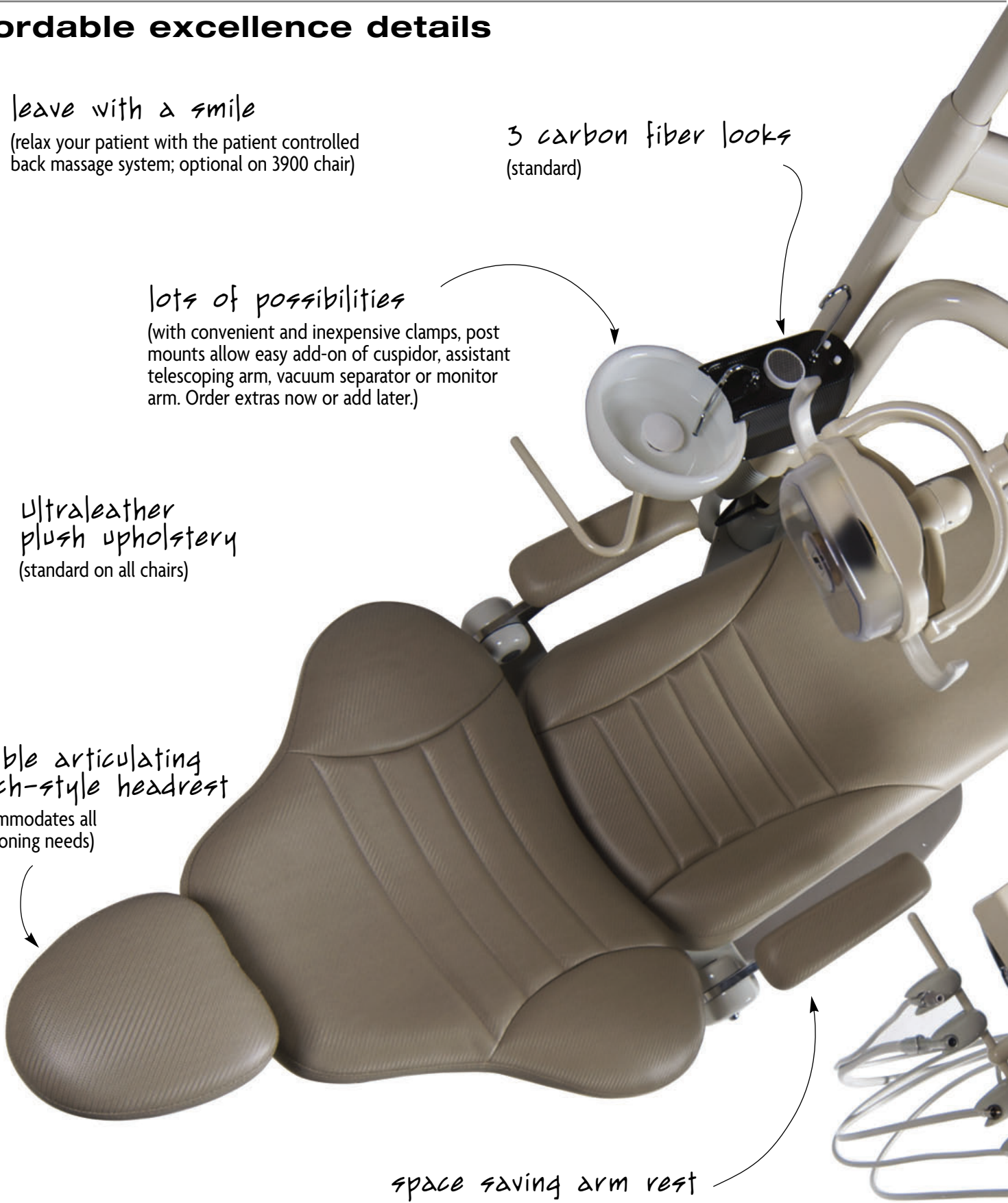
lots of possibilities

(with convenient and inexpensive clamps, post mounts allow easy add-on of cuspidor, assistant telescoping arm, vacuum separator or monitor arm. Order extras now or add later.)

*Ultra leather
plush upholstery*
(standard on all chairs)

*double articulating
pinch-style headrest*
(accommodates all
positioning needs)

space saving arm rest
(drops down vs. swinging out)



fixed chair mount without sidebox packages



8 lustrous paint colors
(for delivery systems and lights)

2 lustrous paint colors
(Forest Grey and Shadow standard on 3900 chair)

you're in control
(Feather Touch Movement is achieved with Teflon bushings and friction adjustment set screws, you adjust the resistance by turning the set screw)

peace of mind
(lifetime warranty on internal components)

intuitive, easy-to-use touchpad
(sturdy machined aluminum housing with four soft touch programmable preset positions. Chair, unit or remote mount.)

DESIGNER FRIENDLY	2
DELIVERY SYSTEMS WITHOUT CHAIR.....	14
PIVOT CHAIR MOUNT PACKAGES	20
FIXED CHAIR MOUNT WITH SIDEBOX PACKAGES	36
FIXED CHAIR MOUNT WITHOUT SIDEBOX PACKAGES.....	52
Build a custom package.....	54
Sample packages	56
Standard IC control head.....	56
Contoured IC control head.....	58
Euro control head	60
Value control head.....	62
Hygienist IC control head.....	64
Hygienist Value control head	66
CHAIRS + STOOLS	68
LIGHTS + MONITOR MOUNT ASSEMBLIES	74
REAR + SIDE DELIVERY SYSTEMS	82
CARTS	96
CUSPIDORS.....	106
OPTIONAL DELIVERY SYSTEMS	112
FACTORY OPTIONS + PARTS.....	120
GENERAL INFORMATION.....	132

SHOWN WITH:

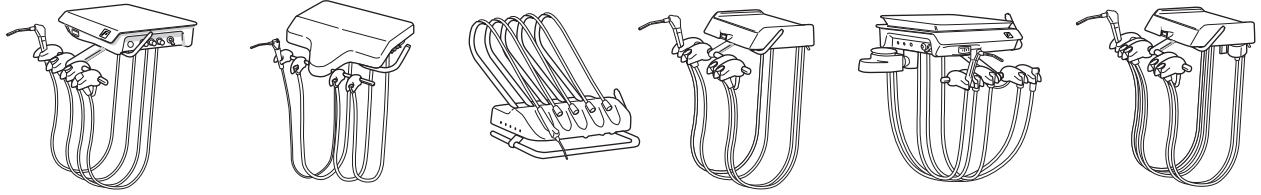
- 3900 CHAIR, FOREST GREY
- 4548 FIXED CHAIR MOUNT W/O SIDEBOX
- STANDARD HYGIENIST IC CONTROL HEAD
- UNIT MOUNT TOUCHPAD
- SWIVEL TRAY
- UNIVERSAL HVE
- BASIC CUSPIDOR
- LIGHT POST
- MONITOR MOUNT ASSEMBLY
- 9080 LIGHT

- UPHOLSTERY | RAFFIA DURANGO
- POWDER COAT | PEARL
- UNIT PLASTIC | LASER LEATHER CARBON FIBER

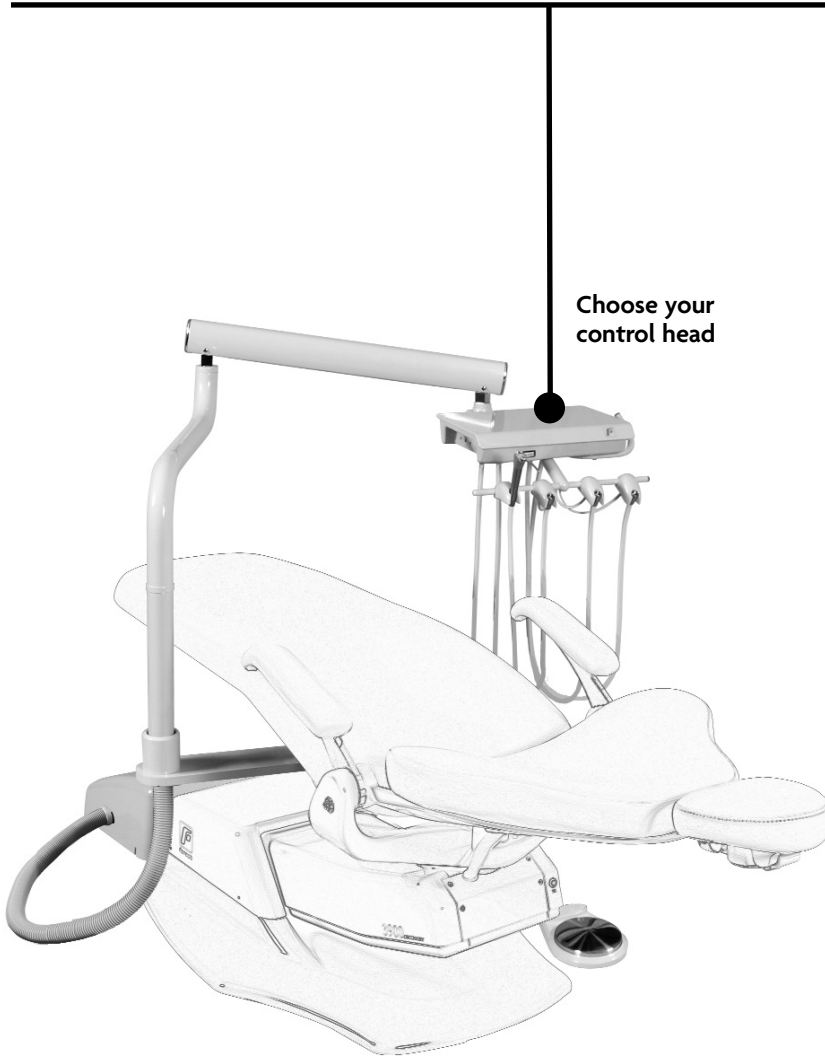
fixed chair mount without sidebox packages

build a custom package

* vacuum located on control head



MODEL	4338 Standard IC	8138 Contoured IC	4167 Euro	4124 Value	4548 Hygienist IC *	4558 Value Hygienist *
PRICE	\$ 4,535	\$ 4,535	\$ 5,385	\$ 3,385	\$ 5,070	\$ 3,920
STANDARD FEATURES <i>(additional information, pg 14)</i>	pneumatic, 3 HP, syringe	pneumatic, 3 HP, syringe	pneumatic, 4 HP, syringe	pinch, 3 HP, syringe	pneumatic, 2 HP, syringe, HVE, SE	pinch, 2 HP, syringe, HVE, SE
PACKAGE EXAMPLE	page 56	page 58	page 60	page 62	page 64	page 66



Choose your control head

ADD EQUIPMENT:

Choose one:

1075 Assistant's Instrumentation

Cuspidor, Deluxe 1570 Cuspidor
 1575 Cuspidor

Cuspidor, Basic 1630 Cuspidor
 1635 Cuspidor

Choose one:

9045 Light

9080 Light

9070 LED Light

*Light post sold separately.
See page 74 for other light
applications.*

Choose one:

3900 Chair, Hydraulic, Plush

6300 Chair, Hydraulic, Asepsis

Choose any:

6126C Stool, Doctor

6147C Stool, Assistant's

6137C Stool, Assistant's

BUILD YOUR CUSTOM PACKAGE, THEN CALCULATE YOUR PRICE ▶▶▶

OR CHOOSE FROM OUR EXAMPLE PACKAGES - see pages 56-67

STANDARD FEATURES

DELIVERY SYSTEM

Choice of Control Head
 Flexible control arm with pneumatic brake
 vertical travel 28" / horizontal travel 62"
 Self-contained clean water system, single bottle 1½ liter
 Wet/dry foot control
 External umbilical, 5'
 Utility center
 contoured with 3900 chair, deluxe with 6300 chair
 standard with chair mounted unit
 Chair adapter, fixed
 Lifetime warranty under hood:
 handpiece control blocks, handpiece manifolds,
 diaphragms, water relay valves, needle control valves,
 toggle valves, shuttle valves, check valves

ASSISTANT'S INSTRUMENTATION, 1075

Central vacuum accessory package
 Post mount, 2"
(see pages 118-119 for additional information)

CUSPIDOR, DELUXE 1570/1575

One-piece ceramic bowl w/touch lever water activator
 Automatic cup fill
 Timed bowl rinse
 1575 includes:
 Swivel assistant's quad holder bar
 Assistant's instrumentation

CUSPIDOR, BASIC 1630/1635

Removable glass bowl, 8" diameter
 Manual cup fill
 Timed bowl rinse
 External umbilical, 5'
 Post mount, 2"
 1635 includes:
 Individual assistant's instrumentation holders
 Assistant's instrumentation
(see pages 108-111 for additional cuspidor information)

LIGHT, HALOGEN 9045

Cooling fan
 Light defeat wheel
 Automatic on/off activation with override

LIGHT, HALOGEN 9080

3-Axis light head movement
 Automatic on/off activation with override

LIGHT, LED 9070

85% less energy than halogen lamp
 Two brightness settings, one non-cure setting
 Automatic on/off activation with override

(see pages 76-80 for additional light information)

CHAIR, HYDRAULIC 3900

Ultraleather upholstery
 Double articulating pinch-style headrest
 Emergency shut-off
 Multifunction Touchpad
 w/4 programmable preset positions

FACTORY OPTIONS

	PART NO	RETAIL	PRICE
DELIVERY SYSTEM MODEL CHOICE _____			PRICE : _____
Handpiece illumination system			
one handpiece (5-hole), accommodates 1 add'l tubing	1700-012-CS	\$ 265	_____
add'l handpiece illumination tubing (5-hole)	0017-694-CS	220	_____
one handpiece (6-pin), accommodates 1 add'l tubing	1700-017-CS	265	_____
add'l handpiece illumination tubing (6-pin)	0017-994-CS	220	_____
(I) time delay kit per hp illumination tubing	0014-122	160	_____
Additional handpiece position, wet	1100-189-CS	385	_____
Additional handpiece position, air drive only	1100-190-CS	185	_____
Less handpiece position	1700-099-CS	-100	_____
Less handpiece position (euro)	1700-199-CS	-175	_____
Heated syringe conversion kit (I) per syringe	1107-450-CS	285	_____
Quick disconnect w/flow control 1/4" (for water)	0016-454-CS	90	_____
or Quick disconnect w/flow control 3/8" (for air)	0016-456-CS	90	_____
Additional brake handle activation (left) (euro standard)	0023-642-CS	125	_____
Swivel tray, arm mounted (euro standard)	1110-468	300	_____
Touchpad, unit mount for 3900 chair	1700-081-CS	450	_____
Standard utility center in lieu of contoured or deluxe	1115-001-CS	-150	_____
Additional umbilical (per foot)	1115-999-CS	30	_____
Chrome accents (see page 6)	9000-998-CS	120	_____
Bien-Air Optima MX INT electric handpiece control	BIEN-AIR	3995	_____
Bien-Air Optima MX INT dual electric handpiece control	BIEN-AIR-D	6375	_____
Satelec LED mini curing light	SATELEC-CL	1425	_____
Satelec SP Newtron piezo/LED piezo scaler	SATELEC-S/SATELEC-S-LED	1730/2220	_____
Air-Techniques Polaris intraoral camera	AIRTECH-C	4995	_____
ASSISTANT'S INSTRUMENTATION	<input type="radio"/> 1075	725	_____
or CUSPIDOR, deluxe	<input type="radio"/> 1570	1755	_____
or with assistant's instrumentation	<input type="radio"/> 1575	2145	_____
or CUSPIDOR, basic	<input type="radio"/> 1630	1005	_____
or with assistant's instrumentation	<input type="radio"/> 1635	1395	_____
Electric vacuum activation (1075, 1575, 1635)	1400-199-CS	200	_____
Universal HVE in lieu of standard (1075, 1575, 1635)	1400-207-CS	N/C	_____
Additional autoclavable standard HVE			
w/tubing 5' & autoclavable oral dry cup (1075, 1575, 1635)	1400-113-CS	75	_____
Chrome accents (1570, 1575, 1630, 1635) (see page 6)	9000-999-CS	120	_____
LIGHT (mounting options, see pages 77-79)	<input type="radio"/> 9045	1875	_____
or	<input type="radio"/> 9080	1475	_____
or	<input type="radio"/> 9070	2275	_____
☛ Light post, 35"	1110-998-1-CS	230	_____
Monitor mount assembly (monitor not included) (see page 80)			
Ring mount (used with light post)	1331RM	740	_____
Top post mount (used with monitor post)	1331TPM	740	_____
Monitor post (for top post mount)	1331-997	230	_____
CHAIR, HYDRAULIC	<input type="radio"/> 3900	6590	_____
Additional touchpad (3900)	3914-102	450	_____
Additional foot control (3900)	3914-010	450	_____
Foot control in lieu of touchpad (3900)	3914-010-CS	N/C	_____
Touchpad deduct chair mount (option on unit) (3900)	3914-081-CS	-450	_____
☛ Additional chair options (see page 70-71 for pricing, line item here)			_____
Stool, doctor's deluxe w/Ultraleather upholstery	6126C	715	_____
Stools, assistant's deluxe w/Ultraleather upholstery	6147C	1050	_____
Stools, assistant's value w/Ultraleather upholstery	6137C	825	_____
TOTAL			_____

DESIGNER FRIENDLY™ SURFACE TREATMENTS (N/C) (see page 6 & 7)

Unit plastic finishes:	<input type="radio"/> Forest Grey	<input type="radio"/> Lemans (carbon fiber)	<input type="radio"/> Laser Leather (carbon fiber)	<input type="radio"/> Greywood (carbon fiber)
Powder coat paint for Unit, & Light	<input type="radio"/> Forest Grey <input type="radio"/> Pewter	<input type="radio"/> Shadow <input type="radio"/> Sage	<input type="radio"/> Pearl <input type="radio"/> Bronze	<input type="radio"/> Charcoal <input type="radio"/> Arctic Silver
Powder coat paint for 3900 Chair	<input type="radio"/> Forest Grey	<input type="radio"/> Shadow		
Upholstery color choice (page 132):		<input type="radio"/> Plush	<input type="radio"/> Asepsis (3900 only)	

fixed chair mount without sidebox packages

package 13 | standard IC control head

BASE PACKAGE

\$ 14,370

4338 DELIVERY SYSTEM
3900 Chair
9080 Light & Post
6126C Dr's Stool
6137C Assistant's Stool

AS SHOWN PACKAGE

\$ 15,395

ADDITIONALLY EQUIPPED WITH:
Arm Mounted Swivel Tray
1075 Assistant's Instrumentation



Lifetime warranty under hood:

handpiece control blocks, handpiece manifolds, diaphragms, water relay valves, needle control valves, toggle valves, shuttle valves, check valves

Upholstery color swatches, see page 7
Designer Friendly™ color swatches, see page 7
Equipment dimensions, see pages 134

Shipping weight estimate:

delivery unit only	95 lb / 44 kg
base package	544 lb / 247 kg
as shown package	562 lb / 255 kg

POPULAR EQUIPMENT CHOICES



ADD CUSPIDOR 1635
base **\$15,765**
as shown **\$16,065**
in lieu of 1075



ADD CUSPIDOR 1575
base **\$16,515**
as shown **\$16,815**
in lieu of 1075



ADD MONITOR MOUNT 1331RM
base **\$15,110**
as shown **\$16,135**
(monitor not included)

STANDARD FEATURES

DELIVERY SYSTEM 4338

Automatic control for three handpieces
 asepsis 3-way air/water syringe w/tubing, 5'
 handpiece tubing, 4-hole Midwest, asepsis style, 5'
 pneumatic master control block w/diaphragm
 master on/off
 individual handpiece pressure adjustment
 individual water coolant adjustment
 non-retraction water coolant with on/off
 air coolant adjustment
 handpiece flush
 handpiece exhaust filter/oil collector
 single handle brake release function
 self-contained clean water system, single bottle 1½ liter
 wet/dry foot control
 Flexible control arm with pneumatic brake
 vertical travel 28" / horizontal travel 62"
 External umbilical, 5'
 Utility center
 Contoured housing and cover (with package)
 air pressure regulator with filter
 master air shut-off valve
 Chair adapter, fixed
 Lifetime warranty under hood:
 handpiece control blocks, handpiece manifolds,
 diaphragms, water relay valves, needle control valves,
 toggle valves, shuttle valves, check valves

ASSISTANT'S INSTRUMENTATION 1075

Central vacuum accessory package
 central vacuum canister w/disposable solids collector
 asepsis 3-way air/water syringe w/tubing, 5'
 autoclavable standard HVE lever valve w/tubing, 5'
 autoclavable saliva ejector lever valve w/tubing, 5'
 external umbilical
 Post mount, 2"

CUSPIDOR, BASIC 1635

Removable glass bowl, 8" diameter
 Manual cup fill
 Timed bowl rinse
 Individual assistant's instrumentation holders
 Assistant's instrumentation
 central vacuum canister w/disposable solids collector
 asepsis 3-way air/water syringe w/tubing, 5'
 autoclavable standard HVE lever valve w/tubing, 5'
 autoclavable saliva ejector lever valve w/tubing, 5'
 external umbilical, 5'
 Post mount, 2"

LIGHT, HALOGEN 9080

3-Axis light head movement
 Automatic on/off activation with override
 Color shade matching
 temperature setting 4200K to 5500K
 Shadow free illumination

CHAIR, HYDRAULIC 3900

Ultraleather upholstery with wide back for elbow support
 Double articulating pinch-style headrest
 Thin back with full lumbar support
 Right/left patient access
 Swing-down locking armrests
 Hydraulic cantilever mechanism
 Emergency shut-off
 30 degree base rotation with lock
 Multifunction touchpad
 w/4 programmable preset positions
 Seat height: minimum 17" maximum 29"

FACTORY OPTIONS

DELIVERY SYSTEM W/STANDARD IC *

Handpiece illumination system		
one handpiece (5-hole), accommodates 1 add'l tubing	1700-012-CS	265
add'l handpiece illumination tubing (5-hole)	0017-694-CS	220
one handpiece (6-pin), accommodates 1 add'l tubing	1700-017-CS	265
add'l handpiece illumination tubing (6-pin)	0017-994-CS	220
(1) time delay kit per hp illumination tubing	0014-122	160
Additional handpiece position, wet	1100-189-CS	385
Additional handpiece position, air drive only	1100-190-CS	185
Less handpiece position	1700-099-CS	-100
Heated syringe conversion kit (1) per syringe	1107-450-CS	285
Quick disconnect w/flow control 1/4" (for water)	0016-454-CS	90
or Quick disconnect w/flow control 3/8" (for air)	0016-456-CS	90
Additional brake handle activation (left)	0023-642-CS	125
Swivel tray,* arm mounted (over control head)	1110-468	300
Touchpad, unit mount for 3900 chair	1700-081-CS	450
Standard utility center in lieu of contoured or deluxe	1115-001-CS	-150
Additional umbilical (per foot)	1115-999-CS	30
Chrome accents (see page 6)	9000-998-CS	120
Bien-Air Optima MX INT electric handpiece control	.BIEN-AIR	3995
Bien-Air Optima MX INT dual electric handpiece control	.BIEN-AIR-D	6375
Satelec LED mini curing light	.SATELEC-CL	1425
Satelec SP Newtron piezo/LED piezo scaler	.SATELEC-S/SATELEC-S-LED	1730/2220
Air-Techniques Polaris intraoral camera	.AIRTECH-C	4995

ASSISTANT'S INSTRUMENTATION *

ASSISTANT'S INSTRUMENTATION *	1075	725
or CUSPIDOR, DELUXE	1575	2145
or BASIC	1635	1395
Electric vacuum activation	1400-199-CS	200
Universal HVE in lieu of standard	1400-207-CS	N/C
Additional autoclavable standard HVE		
w/tubing, 5' & autoclavable oral dry cup	1400-113-CS	75
Chrome accents (1575/1635) (see page 6)	9000-999-CS	120
LIGHT * (mounting options, see pages 77-79)	9080	1475
or	9045	1875
or	9070	2275

Light post, 35" *

Light post, 35" *	1110-998-1-CS	230
Monitor mount assembly (monitor not included) (see page 80)		
Ring mount (used with light post)	1331RM	740
Top post mount (used with monitor post)	1331TPM	740
Monitor post (for top post mount)	1331-997	230

CHAIR, HYDRAULIC *

CHAIR, HYDRAULIC *	3900	6590
Additional touchpad (3900)	3914-102	450
Additional foot control (3900)	3914-010	450
Foot control in lieu of touchpad (3900)	3914-010-CS	N/C
Touchpad deduct chair mount (option on unit) (3900)	3914-081-CS	-450

Additional chair options (see page 70-71 for pricing, line item here)

Stool, doctor's deluxe * w/Ultraleather upholstery	6126C	715
Stool, assistant's value * w/Ultraleather upholstery	6137C	825
Stool, assistant's deluxe w/Ultraleather upholstery	6147C	1050

* ITEM included in AS SHOWN PACKAGE price

TOTAL

DESIGNER FRIENDLY™ SURFACE TREATMENTS (N/C) (see page 6 & 7)

Unit plastic finishes:	<input type="radio"/> Forest Grey	<input type="radio"/> Lemans (carbon fiber)	<input type="radio"/> Laser Leather (carbon fiber)	<input type="radio"/> Greywood (carbon fiber)
Powder coat paint for Unit, & Light	<input type="radio"/> Forest Grey	<input type="radio"/> Shadow	<input type="radio"/> Pearl	<input type="radio"/> Charcoal
	<input type="radio"/> Pewter	<input type="radio"/> Sage	<input type="radio"/> Bronze	<input type="radio"/> Arctic Silver
Powder coat paint for 3900 Chair	<input type="radio"/> Forest Grey	<input type="radio"/> Shadow		
Upholstery color choice (page 132):		<input type="radio"/> Plush	<input type="radio"/> Asepsis (3900 only)	

fixed chair mount without sidebox packages

package 14 | contoured IC control head

BASE PACKAGE **\$ 17,195**

8138 DELIVERY SYSTEM
6300 Chair
9045 Light & Post
6126C Dr's Stool
6147C Assistant's Stool

AS LOW AS **\$ 14,595**

Substitute 3900 Chair & 9080 Light
(in lieu of 6300 Chair & 9045 Light)

AS SHOWN PACKAGE **\$ 19,540**

ADDITIONALLY EQUIPPED WITH:
Unit Mount Touchpad
1575 Deluxe Cuspidor



Lifetime warranty under hood:
handpiece control blocks, handpiece manifolds, diaphragms, water relay valves, needle control valves, toggle valves, shuttle valves, check valves

Upholstery color swatches, see page 7
Designer Friendly™ color swatches, see page 7
Equipment dimensions, see pages 134

Shipping weight estimate:
delivery unit only 95 lb / 44 kg
base package 618 lb / 281 kg
as shown package 648 lb / 294 kg

POPULAR EQUIPMENT CHOICES



ADD ASSISTANT'S
INSTRUMENTATION 1075
base **\$17,920**
as shown **\$18,120**
in lieu of 1575



ADD CUSPIDOR 1635
base **\$18,590**
as shown **\$18,790**
in lieu of 1575



ADD ARM MOUNTED
SWIVEL TRAY
base **\$17,495**
as shown **\$19,840**

STANDARD FEATURES

DELIVERY SYSTEM 8138

Automatic control for three handpieces
 asepsis 3-way air/water syringe w/tubing, 5'
 handpiece tubing, 4-hole Midwest, asepsis style, 5'
 pneumatic master control block w/diaphragm
 master on/off
 individual handpiece pressure adjustment
 individual water coolant adjustment
 non-retraction water coolant with on/off
 air coolant adjustment
 handpiece flush
 handpiece exhaust filter/oil collector
 single handle brake release function
 self-contained clean water system, single bottle 1½ liter
 wet/dry foot control
 Flexible control arm with pneumatic brake
 vertical travel 28" / horizontal travel 62"
 External umbilical, 5'
 Utility center
 Deluxe housing and cover (with package)
 air pressure regulator with filter
 master air shut-off valve
 Chair adapter, fixed
 Lifetime warranty under hood:
 handpiece control blocks, handpiece manifolds,
 diaphragms, water relay valves, needle control valves,
 toggle valves, shuttle valves, check valves

ASSISTANT'S INSTRUMENTATION 1075

Central vacuum accessory package
 central vacuum canister w/disposable solids collector
 asepsis 3-way air/water syringe w/tubing, 5'
 autoclavable standard HVE lever valve w/tubing, 5'
 autoclavable saliva ejector lever valve w/tubing, 5'
 external umbilical
 Post mount, 2"

CUSPIDOR, DELUXE 1575

One-piece ceramic bowl w/touch lever water activator
 Automatic cup fill
 Timed bowl rinse
 Swivel assistant's quad holder bar
 Assistant's instrumentation
 central vacuum canister w/disposable solids collector
 asepsis 3-way air/water syringe w/tubing, 5'
 autoclavable standard HVE lever valve w/tubing, 5'
 autoclavable saliva ejector lever valve w/tubing, 5'
 external umbilical, 5'
 Post mount, 2"

LIGHT, HALOGEN 9045

Cooling fan
 Light defeat wheel
 Color shade matching, temp. setting 5000K, constant
 Shadow free illumination
 Easy release autoclavable handles
 Automatic on/off activation with override

CHAIR, HYDRAULIC 6300

Ultraleather upholstery w/elbow support fold-up wings
 Double articulating pinch-style headrest
 Thin back w/full lumbar support
 Right/left patient access
 Swing-down locking armrests
 Hydraulic cantilever mechanism
 Emergency shut-off
 30 degree base rotation with lock
 Multifunction foot control
 w/4 programmable preset positions
 Soft-touch back massager
 Seat height: minimum 17" maximum 29"

FACTORY OPTIONS

DELIVERY SYSTEM W/CONTOURED IC *

	PART NO	RETAIL	PRICE
DELIVERY SYSTEM W/CONTOURED IC *	8138	\$ 4535	
Handpiece illumination system			
one handpiece (5-hole), accommodates 1 add'l tubing	1700-012-CS	265	
add'l handpiece illumination tubing (5-hole)	0017-694-CS	220	
one handpiece (6-pin), accommodates 1 add'l tubing	1700-017-CS	265	
add'l handpiece illumination tubing (6-pin)	0017-994-CS	220	
(I) time delay kit per hp illumination tubing	0014-122	160	
Additional handpiece position, wet	1100-189-CS	385	
Additional handpiece position, air drive only	1100-190-CS	185	
Less handpiece position	1700-099-CS	-100	
Heated syringe conversion kit (I) per syringe	1107-450-CS	285	
Quick disconnect w/flow control 1/4" (for water)	0016-454-CS	90	
or Quick disconnect w/flow control 3/8" (for air)	0016-456-CS	90	
Additional brake handle activation (left)	0023-642-CS	125	
Swivel tray, arm mounted (over control head)	1110-468	300	
Touchpad * unit mount for 6300 chair	1700-082-CS	600	
Touchpad, unit mount for 3900 chair	1700-081-CS	450	
Standard utility center in lieu of contoured or deluxe	1115-001-CS	-150	
Additional umbilical (per foot)	1115-999-CS	30	
Chrome accents (see page 6)	9000-998-CS	120	
Bien-Air Optima MX INT electric handpiece control	.BIEN-AIR	3995	
Bien-Air Optima MX INT dual electric handpiece control	.BIEN-AIR-D	6375	
Satelec LED mini curing light	.SATELEC-CL	1425	
Satelec SP Newtron piezo/LED piezo scaler	.SATELEC-S/SATELEC-S-LED	1730/2220	
Air-Techniques Polaris intraoral camera	.AIRTECH-C	4995	
CUSPIDOR, DELUXE *	1575	2145	
or BASIC	1635	1395	
or ASSISTANT'S INSTRUMENTATION	1075	725	
Electric vacuum activation	1400-199-CS	200	
Universal HVE in lieu of standard	1400-207-CS	N/C	
Additional autoclavable standard HVE			
w/tubing, 5' & autoclavable oral dry cup	1400-113-CS	75	
Chrome accents (1575, 1635) (see page 6)	9000-999-CS	120	
LIGHT * (mounting options, see pages 77-79)	9045	1875	
or	9080	1475	
or	9070	2275	
Light post, 35" *	1110-998-1-CS	230	
Monitor mount assembly (monitor not included) (see page 80)			
Ring mount (used with light post)	1331RM	740	
Top post mount (used with monitor post)	1331TPM	740	
Monitor post (for top post mount)	1331-997	230	
CHAIR, HYDRAULIC *	6300	8790	
or	3900	6590	
Additional touchpad (3900/6300)	3914-102/6114-102	450/500	
Additional foot control (3900/6300)	3914-010/6114-010	450/425	
Foot control in lieu of touchpad (3900)	3914-010-CS	N/C	
Touchpad in lieu of foot control (6300)	6114-102-CS	200	
Touchpad deduct chair mount (option on unit) (3900)	3914-081-CS	-450	
Touchpad * deduct foot control (option on unit) (6300)	6114-082-CS	-400	
Additional chair options (see page 70-71 for pricing, line item here)			
Stool, doctor's deluxe * w/Ultraleather upholstery	6126C	715	
Stool, assistant's deluxe * w/Ultraleather upholstery	6147C	1050	
Stool, assistant's value w/Ultraleather upholstery	6137C	825	
* ITEM included in AS SHOWN PACKAGE price			
		TOTAL	

DESIGNER FRIENDLY™ SURFACE TREATMENTS (N/C) (see page 6 & 7)

Unit plastic finishes:	<input type="radio"/> Forest Grey	<input type="radio"/> Lemans (carbon fiber)	<input type="radio"/> Laser Leather (carbon fiber)	<input type="radio"/> Greywood (carbon fiber)
Powder coat paint for Unit, & Light	<input type="radio"/> Forest Grey <input type="radio"/> Pewter	<input type="radio"/> Shadow <input type="radio"/> Sage	<input type="radio"/> Pearl <input type="radio"/> Bronze	<input type="radio"/> Charcoal <input type="radio"/> Arctic Silver
Powder coat paint for 3900 Chair	<input type="radio"/> Forest Grey	<input type="radio"/> Shadow		
Upholstery color choice (page 132):		<input type="radio"/> Plush	<input type="radio"/> Asepsis (3900 only)	

fixed chair mount without sidebox packages

package 15 | euro control head

BASE/AS SHOWN PACKAGE \$ 15,445

4167 DELIVERY SYSTEM

3900 Chair

9080 Light & Post

6126C Dr's Stool

6147C Assistant's Stool



Lifetime warranty under hood:
handpiece control blocks, handpiece manifolds, diaphragms, water relay valves, needle control valves, toggle valves, shuttle valves, check valves

Upholstery color swatches, see page 7
Designer Friendly™ color swatches, see page 7
Equipment dimensions, see pages 134

Shipping weight estimate:
delivery unit only 100 lb / 46 kg
base package 558 lb / 253 kg
as shown package 558 lb / 253 kg

POPULAR EQUIPMENT CHOICES



ADD ASSISTANT'S
INSTRUMENTATION 1075
base **\$16,170**



ADD CUSPIDOR 1575
base **\$17,590**



ADD MONITOR MOUNT 1331RM
base **\$16,185**
(monitor not included)

STANDARD FEATURES

DELIVERY SYSTEM 4167

Automatic control for four handpieces
 asepsis 3-way air/water syringe w/tubing, 4'
 handpiece tubing, 4-hole Midwest, asepsis style, 4'
 pneumatic master control block w/diaphragm
 master on/off
 individual handpiece pressure adjustment
 individual water coolant adjustment
 non-retraction water coolant with on/off
 air coolant adjustment
 handpiece flush
 handpiece exhaust filter/oil collector
 dual handle brake release function
 swivel instrument tray
 self-contained clean water system, single bottle 1½ liter
 wet/dry foot control
 Flexible control arm with pneumatic brake
 vertical travel 28" / horizontal travel 62"
 External umbilical, 5'
 Utility center
 Contoured housing and cover
 air pressure regulator with filter
 master air shut-off valve
 Chair adapter, fixed
 Lifetime warranty under hood:
 handpiece control blocks, handpiece manifolds,
 diaphragms, water relay valves, needle control valves,
 toggle valves, shuttle valves, check valves

ASSISTANT'S INSTRUMENTATION 1075

Central vacuum accessory package
 central vacuum canister w/disposable solids collector
 asepsis 3-way air/water syringe w/tubing, 5'
 autoclavable standard HVE lever valve w/tubing, 5'
 autoclavable saliva ejector lever valve w/tubing, 5'
 external umbilical
 Post mount, 2"

CUSPIDOR, DELUXE 1575

One-piece ceramic bowl w/touch lever water activator
 Automatic cup fill
 Timed bowl rinse
 Swivel assistant's quad holder bar
 Assistant's instrumentation
 central vacuum canister w/disposable solids collector
 asepsis 3-way air/water syringe w/tubing, 5'
 autoclavable standard HVE lever valve w/tubing, 5'
 autoclavable saliva ejector lever valve w/tubing, 5'
 external umbilical, 5'
 Post mount, 2"

LIGHT, HALOGEN 9080

3-Axis light head movement
 Automatic on/off activation with override
 Color shade matching
 temperature setting 4200K to 5500K
 Shadow free illumination

CHAIR, HYDRAULIC 3900

Ultraleather upholstery with wide back
 for elbow support
 Double articulating pinch-style headrest
 Thin back with full lumbar support
 Right/left patient access
 Swing-down locking armrests
 Hydraulic cantilever mechanism
 Emergency shut-off
 30 degree base rotation with lock
 Multifunction touchpad w/4 programmable preset positions
 Seat height: minimum 17" maximum 29"

FACTORY OPTIONS

DELIVERY SYSTEM W/EURO *

	PART NO	RETAIL	PRICE
DELIVERY SYSTEM W/EURO *	4167	\$ 5385	
Handpiece illumination system			
one handpiece (5-hole), accommodates 1 add'l tubing	1700-012-CS	265	
add'l handpiece illumination tubing (5-hole)	0017-694-CS	220	
one handpiece (6-pin), accommodates 1 add'l tubing	1700-017-CS	265	
add'l handpiece illumination tubing (6-pin)	0017-994-CS	220	
(I) time delay kit per hp illumination tubing	0014-122	160	
Additional handpiece position, wet	1100-189-CS	385	
Additional handpiece position, air drive only	1100-190-CS	185	
Less handpiece position (euro)	1700-199-CS	-175	
Heated syringe conversion kit (I) per syringe	1107-450-CS	285	
Quick disconnect w/flow control 1/4" (for water)	0016-454-CS	90	
or Quick disconnect w/flow control 3/8" (for air)	0016-456-CS	90	
Touchpad unit mount for 3900 chair	1700-081-CS	450	
Standard utility center in lieu of deluxe or contoured	1115-001-CS	-150	
Additional umbilical (per foot)	1115-999-CS	30	
Chrome accents (see page 6)	9000-998-CS	120	
Bien-Air Optima MX INT electric handpiece control	.BIEN-AIR	3995	
Bien-Air Optima MX INT dual electric handpiece control	.BIEN-AIR-D	6375	
Satelec LED mini curing light	.SATELEC-CL	1425	
Satelec SP Newtron piezo/LED piezo scaler	.SATELEC-S/SATELEC-S-LED	1730/2220	
Air-Techniques Polaris intraoral camera	.AIRTECH-C	4995	
ASSISTANT'S INSTRUMENTATION	○ 1075	725	
or CUSPIDOR, DELUXE	○ 1575	2145	
or BASIC	○ 1635	1395	
Electric vacuum activation	1400-199-CS	200	
Universal HVE in lieu of standard	1400-207-CS	N/C	
Additional autoclavable standard HVE			
w/tubing, 5' & autoclavable oral dry cup	1400-113-CS	75	
Chrome accents (1575/1635) (see page 6)	9000-999-CS	120	
LIGHT * (mounting options, see pages 77-79)	○ 9080	1475	
or	○ 9045	1875	
or	○ 9070	2275	
light post * 35"	1110-998-1-CS	230	
Monitor mount assembly (monitor not included) (see page 80)			
Ring mount (used with light post)	1331RM	740	
Top post mount (used with monitor post)	1331TPM	740	
Monitor post (for top post mount)	1331-997	230	
CHAIR, HYDRAULIC *	○ 3900	6590	
Additional touchpad (3900)	3914-102	450	
Additional foot control (3900)	3914-010	450	
Foot control in lieu of touchpad (3900)	3914-010-CS	N/C	
Touchpad deduct chair mount (option on unit) (3900)	3914-081-CS	-450	
Additional chair options (see page 70-71 for pricing, line item here)			
Stool, doctor's deluxe * w/Ultraleather upholstery	6126C	715	
Stool, assistant's deluxe * w/Ultraleather upholstery	6147C	1050	
Stool, assistant's value w/Ultraleather upholstery	6137C	825	

* ITEM included in AS SHOWN PACKAGE price

TOTAL

DESIGNER FRIENDLY™ SURFACE TREATMENTS (N/C) (see page 6 & 7)

Unit plastic finishes:	○ Forest Grey	○ Lemans (carbon fiber)	○ Laser Leather (carbon fiber)	○ Greywood (carbon fiber)
Powder coat paint for Unit, & Light	○ Forest Grey ○ Pewter	○ Shadow ○ Sage	○ Pearl ○ Bronze	○ Charcoal ○ Arctic Silver
Powder coat paint for 3900 Chair	○ Forest Grey	○ Shadow		
Upholstery color choice (page 132):		○ Plush	○ Asepsis (3900 only)	

fixed chair mount without sidebox packages

package 16 | value control head

BASE PACKAGE

\$ 13,220

- 4124 DELIVERY SYSTEM
- 3900 Chair
- 9080 Light & Post
- 6126C Dr's Stool
- 6137C Assistant's Stool

AS SHOWN PACKAGE

\$ 14,615

- ADDITIONALLY EQUIPPED WITH:
- Unit Mount Touchpad
 - 1635 Basic Cuspidor



Lifetime warranty under hood:

handpiece control blocks, handpiece manifolds, diaphragms, water relay valves, needle control valves, toggle valves, shuttle valves, check valves

Upholstery color swatches, see page 7
 Designer Friendly™ color swatches, see page 7
 Equipment dimensions, see pages 134

Shipping weight estimate:

delivery only	95 lb / 44 kg
base package	544 lb / 247 kg
as shown package	564 lb / 256 kg

POPULAR EQUIPMENT CHOICES



ADD ASSISTANT'S
 INSTRUMENTATION 1075
 base **\$13,945**
 as shown **\$13,945**
 in lieu of 1635



ADD CUSPIDOR 1575
 base **\$15,365**
 as shown **\$15,365**
 in lieu of 1635



ADD ARM MOUNTED
 SWIVEL TRAY
 base **\$13,520**
 as shown **\$14,915**

STANDARD FEATURES

DELIVERY SYSTEM 4124

Automatic control for three handpieces
 asepsis 3-way air/water syringe w/tubing, 5'
 handpiece tubing, 4-hole Midwest, asepsis style, 5'
 individual pinch valve control block
 master on/off
 individual handpiece pressure adjustment
 individual water coolant adjustment
 non-retraction water coolant with on/off
 air coolant adjustment
 handpiece flush
 handpiece exhaust filter/oil collector
 single handle brake release function
 self-contained clean water system, single bottle 1½ liter
 wet/dry foot control
 Flexible control arm with pneumatic brake
 vertical travel 28" / horizontal travel 62"
 External umbilical, 5'
 Utility center
 Contoured housing and cover (with package)
 air pressure regulator with filter
 master air shut-off valve
 Chair adapter, fixed
 Lifetime warranty under hood:
 handpiece control blocks, handpiece manifolds,
 diaphragms, water relay valves, needle control valves,
 toggle valves, shuttle valves, check valves

ASSISTANT'S INSTRUMENTATION 1075

Central vacuum accessory package
 central vacuum canister w/disposable solids collector
 asepsis 3-way air/water syringe w/tubing, 5'
 autoclavable standard HVE lever valve w/tubing, 5'
 autoclavable saliva ejector lever valve w/tubing, 5'
 external umbilical
 Post mount, 2"

CUSPIDOR, BASIC 1635

Removable glass bowl, 8" diameter
 Manual cup fill
 Timed bowl rinse
 Individual assistant's instrumentation holders
 Assistant's instrumentation
 central vacuum canister w/disposable solids collector
 asepsis 3-way air/water syringe w/tubing, 5'
 autoclavable standard HVE lever valve w/tubing, 5'
 autoclavable saliva ejector lever valve w/tubing, 5'
 external umbilical, 5'
 Post mount, 2"

LIGHT, HALOGEN 9080

3-Axis light head movement
 Automatic on/off activation with override
 Color shade matching
 temperature setting 4200K to 5500K
 Shadow free illumination

CHAIR, HYDRAULIC 3900

Ultraleather upholstery with wide back
 for elbow support
 Double articulating pinch-style headrest
 Thin back with full lumbar support
 Right/left patient access
 Swing-down locking armrests
 Hydraulic cantilever mechanism
 Emergency shut-off
 30 degree base rotation with lock
 Multifunction touchpad w/4 programmable preset positions
 Seat height: minimum 17" maximum 29"

FACTORY OPTIONS

DELIVERY SYSTEM W/VALUE *

Handpiece illumination system
 one handpiece (5-hole), accommodates 1 add'l tubing1700-012-CS 265
 add'l handpiece illumination tubing (5-hole)0017-694-CS 220
 one handpiece (6-pin), accommodates 1 add'l tubing1700-017-CS 265
 add'l handpiece illumination tubing (6-pin)0017-994-CS 220
 (1) time delay kit per hp illumination tubing0014-122 160
 Additional handpiece position, wet1100-189-CS 385
 Additional handpiece position, air drive only1100-190-CS 185
 Less handpiece position1700-099-CS -100
 Heated syringe conversion kit (1) per syringe1107-450-CS 285
 Quick disconnect w/flow control 1/4" (specify air or water)0016-455-CS 90
 Additional brake handle activation (left)0023-642-CS 125
 Swivel tray, arm mounted (over control head)1110-468 300
Touchpad * unit mount for 3900 chair1700-081-CS 450
 Standard utility center in lieu of contoured or deluxe1115-001-CS -150
 Additional umbilical (per foot)1115-999-CS 30
 Chrome accents (see page 6)9000-998-CS 120
 Bien-Air Optima MX INT electric handpiece controlBIEN-AIR 3995
 Bien-Air Optima MX INT dual electric handpiece controlBIEN-AIR-D 6375
 Satelec LED mini curing lightSATELEC-CL 1425
 Satelec SP Newtron piezo/LED piezo scalerSATELEC-S/SATELEC-S-LED 1730/2220
 Air-Techniques Polaris intraoral cameraAIRTECH-C 4995

CUSPIDOR, BASIC *

1635 1395
 or DELUXE 1575 2145
 or ASSISTANT'S INSTRUMENTATION 1075 725
 Electric vacuum activation1400-199-CS 200
 Universal HVE in lieu of standard1400-207-CS N/C
 Additional autoclavable standard HVE

w/tubing, 5' & autoclavable oral dry cup1400-113-CS 75
 Chrome accents (1575/1635) (see page 6)9000-999-CS 120

LIGHT * (mounting options, see pages 77-79) 9080 1475
 or 9045 1875
 or 9070 2275

Light post, 35" *1110-998-1-CS 230

Monitor mount assembly (monitor not included) (see page 80)
 Ring mount (used with light post)1331RM 740
 Top post mount (used with monitor post)1331TPM 740
 Monitor post (for top post mount)1331-997 230

CHAIR, HYDRAULIC * 3900 6590

Additional touchpad (3900)3914-102 450
 Additional foot control (3900)3914-010 450
 Foot control in lieu of touchpad (3900)3914-010-CS N/C

Touchpad * deduct chair mount (option on unit) (3900) 3914-081-CS - 450

Additional chair options (see page 70-71 for pricing, line item here)

Stool, doctor's deluxe * w/Ultraleather upholstery6126C 715

Stool, assistant's value * w/Ultraleather upholstery6137C 825

Stool, assistant's deluxe w/Ultraleather upholstery6147C 1050

* ITEM included in AS SHOWN PACKAGE price **TOTAL**

DESIGNER FRIENDLY™ SURFACE TREATMENTS (N/C) (see page 6 & 7)

Unit plastic finishes:	<input type="radio"/> Forest Grey	<input type="radio"/> Lemans (carbon fiber)	<input type="radio"/> Laser Leather (carbon fiber)	<input type="radio"/> Greywood (carbon fiber)
Powder coat paint for Unit, & Light	<input type="radio"/> Forest Grey <input type="radio"/> Pewter	<input type="radio"/> Shadow <input type="radio"/> Sage	<input type="radio"/> Pearl <input type="radio"/> Bronze	<input type="radio"/> Charcoal <input type="radio"/> Arctic Silver
Powder coat paint for 3900 Chair	<input type="radio"/> Forest Grey	<input type="radio"/> Shadow		
Upholstery color choice (page 132) :	<input type="radio"/> Plush		<input type="radio"/> Asepsis (3900 only)	

fixed chair mount without sidebox packages

package 17 | hygienist IC control head

BASE PACKAGE

\$ 14,080

4548 DELIVERY SYSTEM
3900 Chair
9080 Light & Post
6126C Dr's Stool

AS SHOWN PACKAGE

\$ 16,135

ADDITIONALLY EQUIPPED WITH:
Arm Mounted Swivel Tray
1570 Deluxe Cuspidor



Lifetime warranty under hood:

handpiece control blocks, handpiece manifolds, diaphragms, water relay valves, needle control valves, toggle valves, shuttle valves, check valves

Upholstery color swatches, see page 7
Designer Friendly™ color swatches, see page 7
Equipment dimensions, see pages 134

Shipping weight estimate:

delivery unit only	95 lb / 44 kg
base package	511 lb / 232 kg
as shown package	539 lb / 245 kg

POPULAR EQUIPMENT CHOICES



ADD CUSPIDOR 1630
base **\$15,085**
as shown **\$15,385**
in lieu of 1570



ADD MONITOR MOUNT 1331RM
base **\$14,820**
as shown **\$16,875**



ADD ADD'L HVE POSITION
W/ORAL DRY CUP
Add **\$ 75**

STANDARD FEATURES

DELIVERY SYSTEM 4548

Automatic control for two handpieces
 asepsis 3-way air/water syringe w/tubing, 5'
 handpiece tubing, 4-hole Midwest, asepsis style, 5'
 pneumatic master control block w/diaphragm
 master on/off
 individual handpiece pressure adjustment
 individual water coolant adjustment
 non-retraction water coolant with on/off
 air coolant adjustment
 handpiece flush
 handpiece exhaust filter/oil collector
 single handle brake release function
 self-contained clean water system, single bottle 1½ liter
 wet/dry foot control
 Flexible control arm with pneumatic brake
 vertical travel 28" / horizontal travel 62"
 External umbilical, 5'
 Utility center
 Contoured housing and cover (with package)
 air pressure regulator with filter
 master air shut-off valve
 Chair adapter, fixed
 Lifetime warranty under hood:
 handpiece control blocks, handpiece manifolds,
 diaphragms, water relay valves, needle control valves,
 toggle valves, shuttle valves, check valves

CUSPIDOR, DELUXE 1570

One-piece ceramic bowl w/touch lever water activator
 Automatic cup fill
 Timed bowl rinse
 External umbilical, 5'
 Post mount, 2"

CUSPIDOR, BASIC 1630

Removable glass bowl, 8" diameter
 Manual cup fill
 Timed bowl rinse
 External umbilical, 5'
 Post mount, 2"

LIGHT, HALOGEN 9080

3-Axis light head movement
 Automatic on/off activation with override
 Color shade matching
 temperature setting 4200K to 5500K
 Shadow free illumination

CHAIR, HYDRAULIC 3900

Ultraleather upholstery with wide back
 for elbow support
 Double articulating pinch-style headrest
 Thin back with full lumbar support
 Right/left patient access
 Swing-down locking armrests
 Hydraulic cantilever mechanism
 Emergency shut-off
 30 degree base rotation with lock
 Multifunction touchpad
 w/4 programmable preset positions
 Seat height: minimum 17" maximum 29"

FACTORY OPTIONS

DELIVERY SYSTEM W/HYGIENIST IC *

	PART NO	RETAIL	PRICE
DELIVERY SYSTEM W/HYGIENIST IC *	4548	\$ 5070	
Handpiece illumination system			
one handpiece (5-hole), accommodates 1 add'l tubing	1700-012-CS	265	
add'l handpiece illumination tubing (5-hole)	0017-694-CS	220	
one handpiece (6-pin), accommodates 1 add'l tubing	1700-017-CS	265	
add'l handpiece illumination tubing (6-pin)	0017-994-CS	220	
(1) time delay kit per hp illumination tubing	0014-122	160	
Additional handpiece position, wet	1100-189-CS	385	
Additional handpiece position, air drive only	1100-190-CS	185	
Less handpiece position	1700-099-CS	-100	
Electric vacuum activation	1400-199-CS	200	
Universal HVE in lieu of standard	1400-207-CS	N/C	
Additional autoclavable standard HVE			
w/tubing, 5' & autoclavable oral dry cup	1400-113-CS	75	
Heated syringe conversion kit (1) per syringe	1107-450-CS	285	
Quick disconnect w/flow control 1/4" (for water)	0016-454-CS	90	
or Quick disconnect w/flow control 3/8" (for air)	0016-456-CS	90	
Additional brake handle activation (left)	0023-642-CS	125	
Swivel tray,* arm mounted (over control head)	1110-468	300	
Touchpad, unit mount for 3900 chair	1700-081-CS	450	
Standard utility center in lieu of contoured or deluxe	1115-001-CS	-150	
Additional umbilical (per foot)	1115-999-CS	30	
Chrome accents (see page 6)	9000-998-CS	120	
Bien-Air Optima MX INT electric handpiece control	BIEN-AIR	3995	
Bien-Air Optima MX INT dual electric handpiece control	BIEN-AIR-D	6375	
Satelec LED mini curing light	SATELEC-CL	1425	
Satelec SP Newtron piezo/LED piezo scaler	SATELEC-S/SATELEC-S-LED	1730/2220	
Air-Techniques Polaris intraoral camera	AIRTECH-C	4995	
CUSPIDOR, DELUXE *	1570	1755	
or BASIC	1630	1005	
Chrome accents (see page 6)	9000-999-CS	120	
LIGHT * (mounting options, see pages 77-79)	9080	1475	
or	9045	1875	
or	9070	2275	
Light post, 35" *	1110-998-1-CS	230	
Monitor mount assembly (monitor not included) (see page 80)			
Ring mount (used with light post)	1331RM	740	
Top post mount (used with monitor post)	1331TPM	740	
Monitor post (for top post mount)	1331-997	230	
CHAIR, HYDRAULIC *	3900	6590	
Additional touchpad (3900)	3914-102	450	
Additional foot control (3900)	3914-010	450	
Foot control in lieu of touchpad (3900)	3914-010-CS	N/C	
Touchpad deduct chair mount (option on unit) (3900)	3914-081-CS	-450	
Additional chair options (see page 70-71 for pricing, line item here)			
Stool, doctor's deluxe * w/Ultraleather upholstery	6126C	715	
Stool, assistant's deluxe w/Ultraleather upholstery	6147C	1050	
Stool, assistant's value w/Ultraleather upholstery	6137C	825	
* ITEM included in AS SHOWN PACKAGE price		TOTAL	

DESIGNER FRIENDLY™ SURFACE TREATMENTS (N/C) (see page 6 & 7)

Unit plastic finishes:	<input type="radio"/> Forest Grey	<input type="radio"/> Lemans (carbon fiber)	<input type="radio"/> Laser Leather (carbon fiber)	<input type="radio"/> Greywood (carbon fiber)
Powder coat paint for Unit, & Light	<input type="radio"/> Forest Grey <input type="radio"/> Pewter	<input type="radio"/> Shadow <input type="radio"/> Sage	<input type="radio"/> Pearl <input type="radio"/> Bronze	<input type="radio"/> Charcoal <input type="radio"/> Arctic Silver
Powder coat paint for 3900 Chair	<input type="radio"/> Forest Grey	<input type="radio"/> Shadow		
Upholstery color choice (page 132) :		<input type="radio"/> Plush	<input type="radio"/> Asepsis (3900 only)	

fixed chair mount without sidebox packages

package 18 | hygienist value control head

BASE/AS SHOWN PACKAGE \$ 12,930

- 4558 DELIVERY SYSTEM
- 3900 Chair
- 9080 Light & Post
- 6126C Dr's Stool
- Unit Mount Touchpad



Lifetime warranty under hood:

handpiece control blocks, handpiece manifolds, diaphragms, water relay valves, needle control valves, toggle valves, shuttle valves, check valves

Upholstery color swatches, see page 7
 Designer Friendly™ color swatches, see page 7
 Equipment dimensions, see pages 134

Shipping weight estimate:
 delivery only 95 lb / 44 kg
 base package 511 lb / 232 kg
 as shown package 511 lb / 232 kg

POPULAR EQUIPMENT CHOICES



ADD CUSPIDOR 1570
 base **\$14,685**
 as shown **\$14,685**



ADD CUSPIDOR 1630
 base **\$13,935**
 as shown **\$13,935**



ADD ARM MOUNTED
 SWIVEL TRAY
 base **\$13,230**
 as shown **\$13,230**

STANDARD FEATURES

DELIVERY SYSTEM 4558

Automatic control for two handpieces
 asepsis 3-way air/water syringe w/tubing, 5'
 handpiece tubing, 4-hole Midwest, asepsis style, 5'
 individual pinch valve control block
 master on/off
 individual handpiece pressure adjustment
 individual water coolant adjustment
 non-retraction water coolant with on/off
 air coolant adjustment
 handpiece flush
 handpiece exhaust filter/oil collector
 single handle brake release function
 self-contained clean water system, single bottle 1½ liter
 wet/dry foot control
 Flexible control arm with pneumatic brake
 vertical travel 28" / horizontal travel 62"
 External umbilical, 5'
 Utility center
 Contoured housing and cover (with package)
 air pressure regulator with filter
 master air shut-off valve
 Chair adapter, fixed
 Lifetime warranty under hood:
 handpiece control blocks, handpiece manifolds,
 diaphragms, water relay valves, needle control valves,
 toggle valves, shuttle valves, check valves

CUSPIDOR, DELUXE 1570

One-piece ceramic bowl w/touch lever water activator
 Automatic cup fill
 Timed bowl rinse
 External umbilical, 5'
 Post mount, 2"

CUSPIDOR, BASIC 1630

Removable glass bowl, 8" diameter
 Manual cup fill
 Timed bowl rinse
 External umbilical, 5'
 Post mount, 2"

LIGHT, HALOGEN 9080

3-Axis light head movement
 Automatic on/off activation with override
 Color shade matching
 temperature setting 4200K to 5500K
 Shadow free illumination

CHAIR, HYDRAULIC 3900

Ultraleather upholstery with wide back
 for elbow support
 Double articulating pinch-style headrest
 Thin back with full lumbar support
 Right/left patient access
 Swing-down locking armrests
 Hydraulic cantilever mechanism
 Emergency shut-off
 30 degree base rotation with lock
 Multifunction touchpad
 w/4 programmable preset positions
 Seat height: minimum 17" maximum 29"

FACTORY OPTIONS

DELIVERY SYSTEM W/VALUE HYGIENIST *

	4558	\$ 3920	
Handpiece illumination system			
one handpiece (5-hole), accommodates 1 add'l tubing1700-012-CS	265	
add'l handpiece illumination tubing (5-hole)0017-694-CS	220	
one handpiece (6-pin), accommodates 1 add'l tubing1700-017-CS	265	
add'l handpiece illumination tubing (6-pin)0017-994-CS	220	
(I) time delay kit per hp illumination tubing0014-122	160	
Additional handpiece position, wet1100-189-CS	385	
Additional handpiece position, air drive only1100-190-CS	185	
Less handpiece position1700-099-CS	-100	
Electric vacuum activation1400-199-CS	200	
Universal HVE in lieu of standard1400-207-CS	N/C	
Additional autoclavable standard HVE			
w/tubing, 5' & autoclavable oral dry cup1400-113-CS	75	
Heated syringe conversion kit (I) per syringe1107-450-CS	285	
Quick disconnect w/flow control 1/4" (specify air or water)0016-455-CS	90	
Additional brake handle activation (left)0023-642-CS	125	
Swivel tray, arm mounted (over control head)1110-468	300	
Touchpad * unit mount for 3900 chair1700-081-CS	450	
Standard utility center in lieu of contoured or deluxe1115-001-CS	-150	
Additional umbilical (per foot)1115-999-CS	30	
Chrome accents (see page 6)9000-998-CS	120	
Bien-Air Optima MX INT electric handpiece controlBIEN-AIR	3995	
Bien-Air Optima MX INT dual electric handpiece controlBIEN-AIR-D	6375	
Satelec LED mini curing lightSATELEC-CL	1425	
Satelec SP Newtron piezo/LED piezo scalerSATELEC-S/SATELEC-S-LED	1730/2220	
Air-Techniques Polaris intraoral cameraAIRTECH-C	4995	
CUSPIDOR, DELUXE○ 1570	1755	
or BASIC○ 1630	1005	
Chrome accents (see page 6)9000-999-CS	120	
LIGHT * (mounting options, see pages 77-79)○ 9080	1475	
or○ 9045	1875	
or○ 9070	2275	
Light post, 35" *1110-998-1-CS	230	
Monitor mount assembly (monitor not included) (see page 80)			
Ring mount (used with light post)1331RM	740	
Top post mount (used with monitor post)1331TPM	740	
Monitor post (for top post mount)1331-997	230	
CHAIR, HYDRAULIC *○ 3900	6590	
Additional touchpad (3900)3914-102	450	
Additional foot control (3900)3914-010	450	
Foot control in lieu of touchpad (3900)3914-010-CS	N/C	
Touchpad * deduct chair mount (option on unit) (3900)3914-081-CS	- 450	
Additional chair options (see page 70-71 for pricing, line item here)			
Stool, doctor's deluxe * w/Ultraleather upholstery6126C	715	
Stool, assistant's deluxe w/Ultraleather upholstery6147C	1050	
Stool, assistant's value w/Ultraleather upholstery6137C	825	

* ITEM included in AS SHOWN PACKAGE price **TOTAL**

DESIGNER FRIENDLY™ SURFACE TREATMENTS (N/C) (see page 6 & 7)

Unit plastic finishes:	○ Forest Grey	○ Lemans (carbon fiber)	○ Laser Leather (carbon fiber)	○ Greywood (carbon fiber)
Powder coat paint for Unit, & Light	○ Forest Grey	○ Shadow	○ Pearl	○ Charcoal
	○ Pewter	○ Sage	○ Bronze	○ Arctic Silver
Powder coat paint for 3900 Chair	○ Forest Grey	○ Shadow		
Upholstery color choice (page 132):		○ Plush	○ Asepsis (3900 only)	

affordable excellence details

great look and rich feel

(plush ultraleather upholstery feels like soft leather and is standard on all chairs and stools)

leave with a smile

(relax your patient with the patient controlled back massage system; optional on 3900 chair)

think thin

(thin back improves access to patient)

space saving armrests

(drops down vs swinging out)

check your speed

(slow it down so your patient can't feel it move or eject them out if you're in a hurry)

no cracking or fading

(thin cast aluminum vs. plastic back)

built to last

(machine billet aluminum housing)

so many choices

(touchpad or foot control locations of your choosing be it a counter, your unit control head, a chair or the floor; 4 maximum)

no distortion, great fit & quality feel

(thick pressure-formed vs thin vacuum-formed plastic)

double articulating pinch-style headrest

(accommodates all positioning needs on the 3900 chair)

won't rust on your floor

(cast aluminum)



ultra leather upholstery
(standard on all chairs and stools)



DESIGNER FRIENDLY2

DELIVERY SYSTEMS WITHOUT CHAIR.....14

PIVOT CHAIR MOUNT PACKAGES20

FIXED CHAIR MOUNT WITH SIDEBOX PACKAGES36

FIXED CHAIR MOUNT WITHOUT SIDEBOX PACKAGES.....52

CHAIRS + STOOLS68

 3900 Hydraulic patient chair70

 Doctor + Assistant's stools71

LIGHTS + MONITOR MOUNT ASSEMBLIES74

REAR + SIDE DELIVERY SYSTEMS82

CARTS96

CUSPIDORS106

OPTIONAL DELIVERY SYSTEMS112

FACTORY OPTIONS + PARTS120

GENERAL INFORMATION.....132

SHOWN CLOCKWISE, TOP RIGHT:

- 6300 CHAIR | DUAL COLOR: RAVEN WING + DOE
OPTIONAL TOUCHPAD
- 6126C DOCTOR STOOL | DOE
- 3900 CHAIR, FOREST GREY | GREEN TEA
- 3900 CHAIR, SHADOW | PARROT

chairs + stools

3900 hydraulic patient chair



MODEL 3900 (110V) / 3901 (220V)
\$ 6,590

STANDARD FEATURES

HYDRAULIC CHAIR 3900

- Ultraleather upholstery with wide back for elbow support
- Double articulating pinch-style headrest
- Thin back with full lumbar support
- Right/left patient access
- Swing-down locking armrests
- Hydraulic cantilever mechanism
- Emergency shut-off
- 30 degree base rotation with lock
- Multifunction touchpad
 - w/4 programmable preset positions, accommodates 3 additional controls
- Seat height: minimum 17" maximum 29"

HYDRAULIC CHAIR 3901

Same as above, with additional feature:

220 Volt

FACTORY OPTIONS

	MODEL CHOICE	PRICE :	
CHAIR		\$ 250	
Ultraleather Raffia or special color upholstery (upcharge)	3907-999-SP	250	
Pedo booster seat	3907-180	450	
Additional touchpad	3914-102	N/C	
Foot control in lieu of touchpad	3914-010-CS	450	
Additional foot control	3914-010	-450	
Touchpad deduct chair mount (option on unit) (3900)	3914-081-CS	385	
Chair adapter, fixed	1115-195	180	
44" light post without slot, chair mount (w/Forest light bushing)	1110-794	180	
44" light post w/slot for monitor cord (w/Forest light bushing)	1110-050		
Light posts with pivot mount (for unit mount lights see page 76) (for post mount monitor assemblies see page 80)			
Pivot light post, Forest 3900 (light not included)	1112-644-3	950	
Pivot light post, P&C, 3900 (light not included)	1112-658-3	950	
Pivot monitor post, 3900 (monitor mount assembly not included)	1331-644-3	740	
Monitor mount assembly, top post mount (see page 80)	1331TPM	350	
Contoured utility center housing & cover	3900-001	485	
Soft-touch back massage option (see 6300 for details)	3900-100		

TOTAL



ULTRALEATHER UPHOLSTERY STANDARD (see page 7 for color swatches)

Raffia Ultraleather (upcharge):	<input type="radio"/> Durango Dust	<input type="radio"/> Noche	
Ultraleather:	<input type="radio"/> Baltic	<input type="radio"/> Neptune	<input type="radio"/> Pearlized Green Tea
	<input type="radio"/> Cactus	<input type="radio"/> Papyrus	<input type="radio"/> Pearlized Mica
	<input type="radio"/> Charcoal	<input type="radio"/> Parrot	<input type="radio"/> Pearlized Midnight
	<input type="radio"/> Diplomat Blue	<input type="radio"/> Raven Wing	<input type="radio"/> Pearlized Pewter
	<input type="radio"/> Doe	<input type="radio"/> Sassy	
	<input type="radio"/> Dove Grey	<input type="radio"/> Stone	
	<input type="radio"/> Grenadine	<input type="radio"/> Walnut	



DESIGNER FRIENDLY™ SURFACE TREATMENTS (N/C) (see page 6 & 7)

Powder coat paint	<input type="radio"/> Forest Grey	<input type="radio"/> Shadow
-------------------	-----------------------------------	------------------------------



0459

Shipping weight: 335 lb / 152 kg



MODEL 6126C
\$ 715



MODEL 6137C
\$ 825



MODEL 6147C
\$ 1050

STANDARD FEATURES

DOCTOR'S DELUXE 6126C

- Ultraleather upholstery
- 5-leg base
- Twin wheel hard floor casters
- Pneumatic cylinder height adjustment, 16-1/4" – 20-1/2"
- Backrest w/height adjustment
- Tilt seat function
- Contoured seat

ASSISTANT'S STANDARD 6137C

- Ultraleather upholstery
- 5-leg base
- Twin wheel hard floor casters
- Pneumatic cylinder height adjustment, 22-1/2" – 31-1/4"
- Contoured seat
- Torso support w/height adjustment & release lever
- Footring w/height adjustment

ASSISTANT'S DELUXE 6147C

Same as 6137C stool with additional features:

- Backrest w/height adjustment

Shipping weight:

6126C 34 lb / 16 kg

6137C 33 lb / 15 kg

6147C 42 lb / 19 kg

FACTORY OPTIONS

	PART NO	RETAIL	PRICE
STOOLMODEL CHOICE			PRICE : _____
Vinyl in lieu of Ultraleather*	.6007-999-CS	\$ -100	_____
Twin wheel carpet casters	.0010-401-CS	N/C	_____
⇒ Cylinder choices (upcharge)			
Doctor's long cylinder, 17-1/4" – 23-3/4"	.6000-300-CS	N/C	_____
Doctor's X-long cylinder, 19-1/2" – 27"	.6000-297-CS	50	_____
Doctor's XX-long cylinder, 20-3/4" – 31-1/4"	.6000-296-CS	60	_____
Assistant's short cylinder, 21-1/4" – 27"	.6000-303-CS	70	_____
		TOTAL	_____

*Specify vinyl manufacturer and color (not all colors may be available).
Call Forest for ordering details.)

⇒ ULTRALEATHER UPHOLSTERY STANDARD (see page 7 for color swatches)

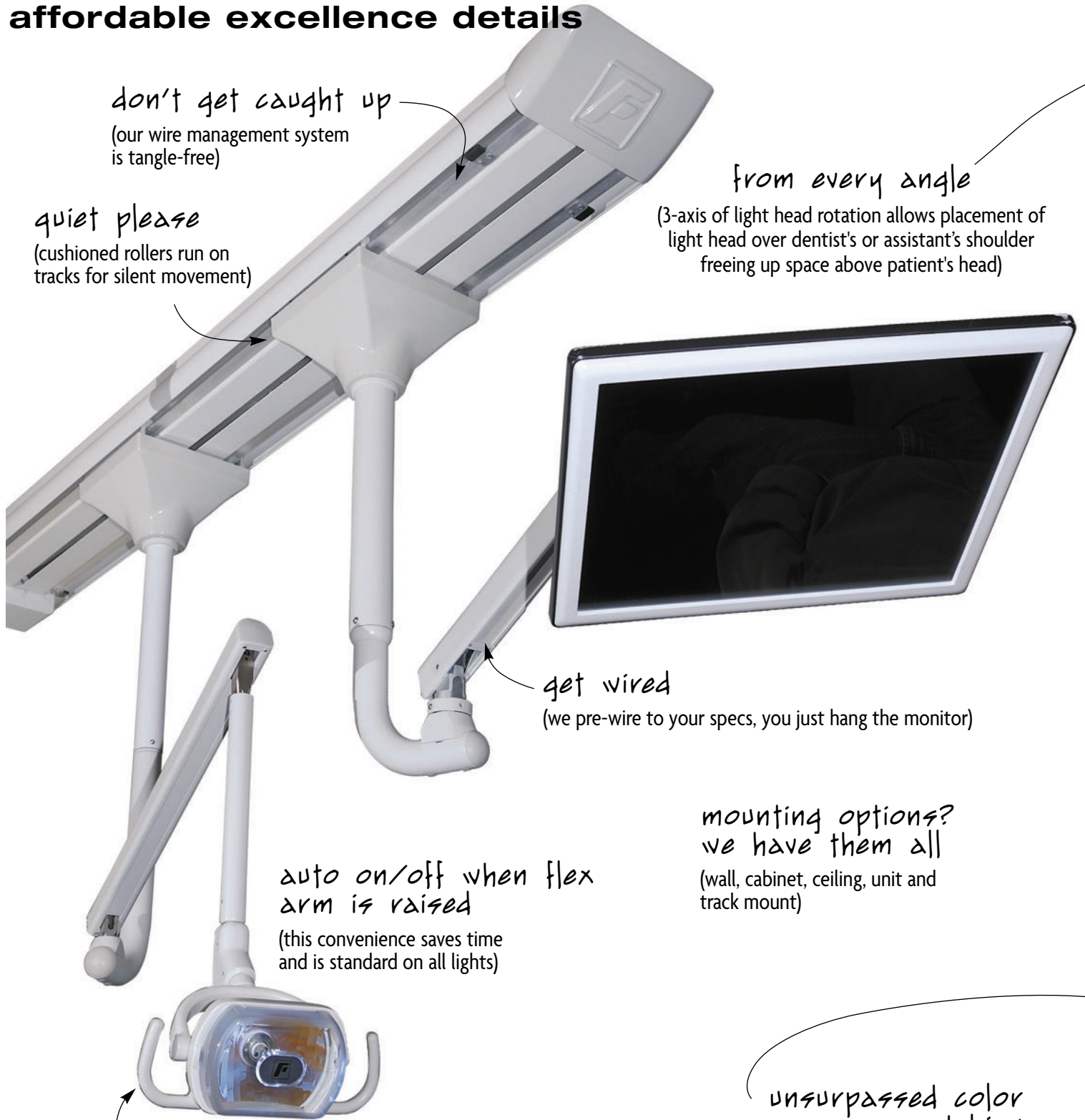
- | | | | |
|---------------|-------------------------------------|----------------------------------|---|
| Ultraleather: | <input type="radio"/> Baltic | <input type="radio"/> Neptune | <input type="radio"/> Pearlized Green Tea |
| | <input type="radio"/> Cactus | <input type="radio"/> Papyrus | <input type="radio"/> Pearlized Mica |
| | <input type="radio"/> Charcoal | <input type="radio"/> Parrot | <input type="radio"/> Pearlized Midnight |
| | <input type="radio"/> Diplomat Blue | <input type="radio"/> Raven Wing | <input type="radio"/> Pearlized Pewter |
| | <input type="radio"/> Doe | <input type="radio"/> Sassy | |
| | <input type="radio"/> Dove Grey | <input type="radio"/> Stone | |
| | <input type="radio"/> Grenadine | <input type="radio"/> Walnut | |

affordable excellence details

don't get caught up
(our wire management system
is tangle-free)

quiet please
(cushioned rollers run on
tracks for silent movement)

from every angle
(3-axis of light head rotation allows placement of
light head over dentist's or assistant's shoulder
freeing up space above patient's head)



get wired
(we pre-wire to your specs, you just hang the monitor)

auto on/off when flex
arm is raised
(this convenience saves time
and is standard on all lights)

mounting options?
we have them all
(wall, cabinet, ceiling, unit and
track mount)

from every angle
(3-axis of light head rotation allows placement of
light head over dentist's or assistant's shoulder
freeing up space above patient's head)

unsurpassed color
matching
(has a light defeat wheel that lets you
choose from 2400 to 500 foot candles
while maintaining a 5000 Kelvin white
light [no yellowing]; great for composites,
shade matching and tissue examination)

lights + monitor mount assemblies



be happy, be green

(LED's save the environment and money at the same time; 46 watts consume 85% less energy than halogen lights and **7-year warranty** on LED optics)

add barriers

(rotate the handle to an up or down position)

precise light pattern

(3 x 6 area keeps light out of patient's eyes with 3 settings: super bright, normal and non-curing)



whisper cooling fan

(quiet fan keeps the light safe to touch, even if left on all day; prolongs the bulb life, bulb socket, wiring and reflector)

DESIGNER FRIENDLY	2
DELIVERY SYSTEMS WITHOUT CHAIR.....	14
PIVOT CHAIR MOUNT PACKAGES.....	20
FIXED CHAIR MOUNT WITH SIDEBOX PACKAGES	36
FIXED CHAIR MOUNT WITHOUT SIDEBOX PACKAGES.....	52
CHAIRS + STOOLS	68
LIGHTS + MONITOR MOUNT ASSEMBLIES	74
Post mount lights.....	76
Track mount lights.....	77
Ceiling mount lights.....	78
Cabinet + wall mount lights.....	79
Ceiling + post monitor mount assembly.....	80
REAR + SIDE DELIVERY SYSTEMS	82
CARTS	96
CUSPIDORS.....	106
OPTIONAL DELIVERY SYSTEMS.....	112
FACTORY OPTIONS + PARTS.....	120
GENERAL INFORMATION.....	132

SHOWN CLOCKWISE, TOP:

9070 L.E.D. LIGHT

9045 LIGHT

TRACK | 9080T LIGHT + 1380T MONITOR MOUNT ASSEMBLY

lights + monitor mount assemblies

post mount lights



MODEL 9080 (110V) / 9081 (220V)
HALOGEN LIGHT
\$ 1475



MODEL 9045 (110V) / 9046 (220V)
HALOGEN LIGHT
\$ 1875



MODEL 9070 (110V) / 9071 (220V)
LED LIGHT
\$ 2275

STANDARD FEATURES

LIGHTS

MODEL 9080

- 3-Axis light head movement
- Automatic on/off activation with override
- Additional bulb
- Color temperature, 4,200 to 5,500 Kelvin
- 110V 1A or 220V 1A

MODEL 9045

- Automatic on/off activation with override
- Cooling fan
- Easy release autoclavable handles
- Additional bulb
- Color temperature, 5,000 Kelvin, constant
- 110V 1.5A or 220V 3A

MODEL 9070

- 85% less energy than halogen lamp
- 3-Axis light head movement
- Automatic on/off activation with override
- Color temperature, 5250 Kelvin, constant
- Two brightness settings, 3250fc and 2000fc
- One non-cure setting, 1500fc
- Autoclavable handles
- 7-year warranty on LED optics
- 110V 1A or 220V 1A, accommodates 12V - 24V

Shipping weight:
9080, 9045, 9070 32 lb / 15 kg

FACTORY OPTIONS

	PART NO	RETAIL	PRICE
LIGHT MODEL CHOICE _____			PRICE : _____
Replacement bulb (9045/9080)0014-300	\$ 35	_____
Light posts, (includes Forest bushing):			
44" w/slot for sidebox access1110-900	180	_____
44" without slot, chair mount1110-794	180	_____
35" w/post clamp1110-820	230	_____
Light posts, with monitor cord slot (includes Forest bushing):			
44" w/dual slot for sidebox access1110-170	180	_____
44" w/single slot, chair mount1110-050	180	_____
35" w/single slot & post clamp1110-045	230	_____

TOTAL _____

DESIGNER FRIENDLY™ SURFACE TREATMENTS (N/C) (see page 6 & 7)

- Powder coat paint finishes
- | | | | |
|-----------------------------------|------------------------------|------------------------------|-------------------------------------|
| <input type="radio"/> Forest Grey | <input type="radio"/> Shadow | <input type="radio"/> Pearl | <input type="radio"/> Charcoal |
| <input type="radio"/> Pewter | <input type="radio"/> Sage | <input type="radio"/> Bronze | <input type="radio"/> Arctic Silver |

lights + monitor mount assemblies

track mount lights



Shown with optional
monitor mount assembly
(monitor not included)

MODEL 1380T
MONITOR MOUNT ASSEMBLY
\$ 1780

MODEL 9080T (110V) / 9081T (220V)
LIGHT/TRACK
\$ 2950

MODEL 9045T (110V) / 9046T (220V)
LIGHT/TRACK
\$ 3350

MODEL 9070T (110V) / 9071T (220V)
LIGHT/TRACK
\$ 3750

STANDARD FEATURES

LIGHT + TRACK ASSEMBLY

- Pre-wired through flex arm
- Track/Trolley assembly
- Vertical light tube with 6 inch horizontal side off-set for clearance of optional monitor
- Flex arm & light head assembly
- Trolley mounting plate and shroud
- ➡ Drop post (specify ceiling height)

MONITOR MOUNT ASSEMBLY

- Pre-wired from track through flex arm
- Coax cable
- Low voltage wiring (2 conductor 18 awg wire) 2 each
- VGA shielded cable
- ICW EV65 monitor mount
- Rex positioning handles
- Monitor Requirements:
- 12 volt with power supply
- weight: up to 18 lbs max, width of 19"

Shipping weight:
9080, 9045, 9070 115 lb / 53 kg
1380T 140 lb / 64 kg (includes mount/track weight)

FACTORY OPTIONS

LIGHT / TRACK	MODEL CHOICE _____	PRICE :	_____
Monitor mount assembly	1380T	\$ 1780	_____
S Video, cable pre-installed0014-282	35	_____
RCA cables (3 conductor), pre-installed0014-283	35	_____

TOTAL

➡ ****SPECIFY MOUNTING HEIGHT**** _____

➡ DESIGNER FRIENDLY™ SURFACE TREATMENTS (N/C) (see page 6 & 7)

- Powder coat paint finishes
- | | | | |
|-----------------------------------|------------------------------|------------------------------|-------------------------------------|
| <input type="radio"/> Forest Grey | <input type="radio"/> Shadow | <input type="radio"/> Pearl | <input type="radio"/> Charcoal |
| <input type="radio"/> Pewter | <input type="radio"/> Sage | <input type="radio"/> Bronze | <input type="radio"/> Arctic Silver |

lights + monitor mount assemblies

ceiling mount lights



MODEL 9080-C
220V 9081-C
\$ 1975



MODEL 9045-C
220V 9046-C
\$ 2375



MODEL 9070-C
220V 9071-C
\$ 2775

STANDARD FEATURES

LIGHTS

☛ Ceiling mounting plate and shroud with drop post
☛ specify ceiling height

MODEL 9080-C

3-Axis light head movement
Automatic on/off activation with override
Additional bulb
Color temperature, 4,200 to 5,500 Kelvin
110V 1A or 220V 1A

MODEL 9045-C

Automatic on/off activation with override
Cooling fan
Easy release autoclavable handles
Additional bulb
Color temperature, 5,000 Kelvin, constant
110V 1.5A or 220V 3A

MODEL 9070-C

85% less energy than halogen lamp
3-Axis light head movement
Automatic on/off activation with override
Color temperature, 5250 Kelvin, constant
Two brightness settings, 3250fc and 2000fc
One non-cure setting, 1500fc
Autoclavable handles
7-year warranty on LED optics
110V 1A or 220V 1A, accommodates 12V - 24V

Shipping weight:

9080-C, 9045-C, 9070-C 50 lb / 23 kg

FACTORY OPTIONS

LIGHTMODEL CHOICE..... PRICE : _____
Replacement bulb (9045C/9080)0014-300 \$ 35 _____

TOTAL _____

☛ ****SPECIFY MOUNTING HEIGHT**** _____

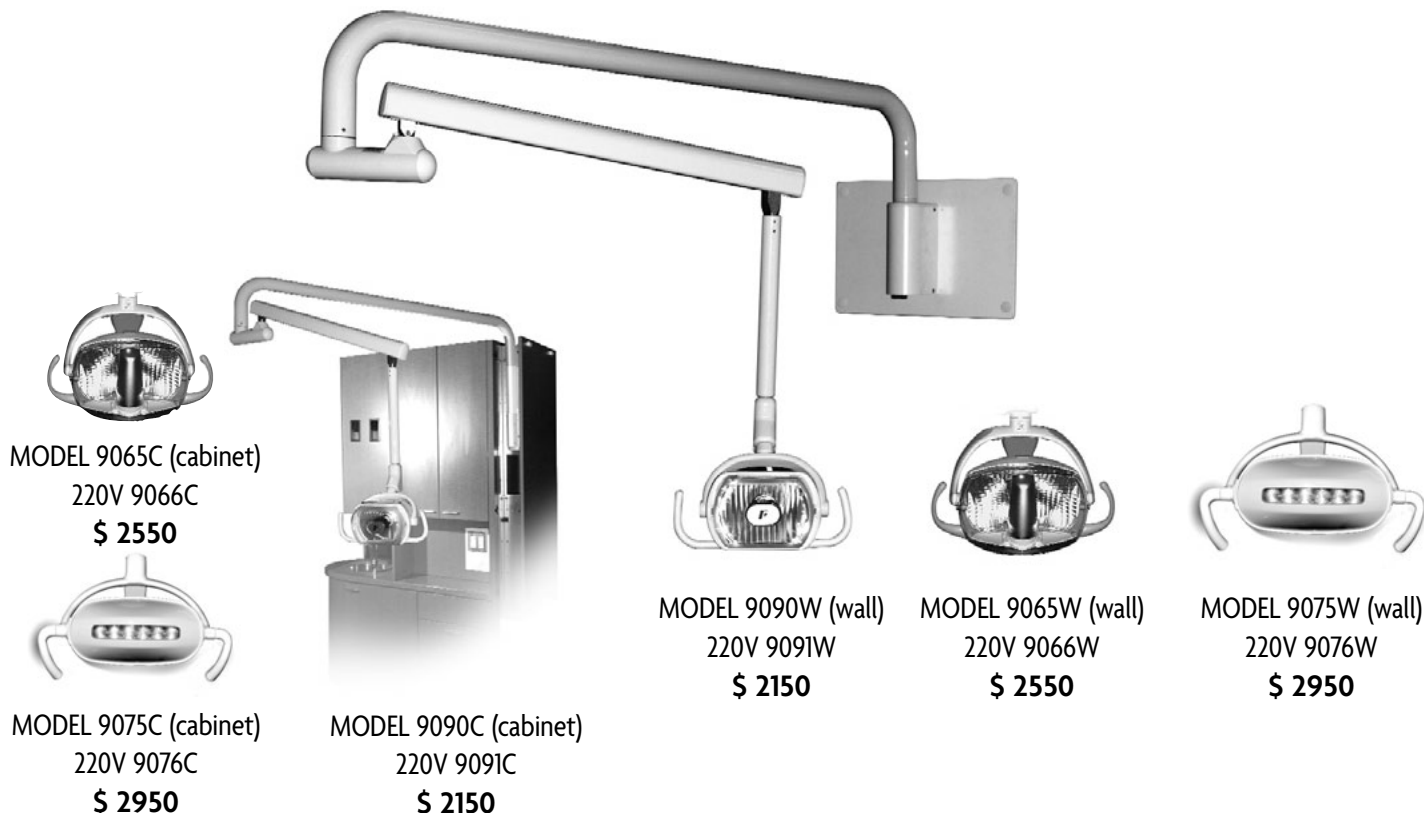
for monitor mount assembly, see page 80

☛ DESIGNER FRIENDLY™ SURFACE TREATMENTS (N/C) (see page 6 & 7)

Powder coat paint finishes Forest Grey Shadow Pearl Charcoal
 Pewter Sage Bronze Arctic Silver

lights + monitor mount assemblies

cabinet + wall mount lights



MODEL 9065C (cabinet)
220V 9066C
\$ 2550

MODEL 9075C (cabinet)
220V 9076C
\$ 2950

MODEL 9090C (cabinet)
220V 9091C
\$ 2150

MODEL 9090W (wall)
220V 9091W
\$ 2150

MODEL 9065W (wall)
220V 9066W
\$ 2550

MODEL 9075W (wall)
220V 9076W
\$ 2950

STANDARD FEATURES

LIGHTS

Cabinet mount, internal vertical mount with post
Wall mount, vertical mounting plate

MODEL 9090

3-Axis light head movement
Automatic on/off activation with override
Additional bulb
Color temperature, 4,200 to 5,500 Kelvin
120V 1A or 220V 1A

MODEL 9065

Automatic on/off activation with override
Cooling fan
Easy release autoclavable handles
Additional bulb
Color temperature, 5,000 Kelvin, constant
110V 1.5A, 220V 3A

MODEL 9075

85% less energy than halogen lamp
3-Axis light head movement
Automatic on/off activation with override
Color temperature, 5250 Kelvin, constant
Two brightness settings, 3250fc and 2000fc
One non-cure setting, 1500fc
Autoclavable handles
7-year warranty on LED optics
110V 1A or 220V 1A, accommodates 12V - 24V

FACTORY OPTIONS

LIGHTMODEL CHOICE.....
Replacement bulb (9065/9090)0014-300
Cabinet mounting options:
Horizontal top cabinet mount in lieu of internal mount (see page 137) .. .1110-881-CS
Vertical exterior cabinet mount in lieu of internal mount (see page 137) .. .1110-886-CS

PART NO

RETAIL

PRICE

TOTAL

Shipping weight:

9090/65/75C 60 lb / 28 kg 9090/65/75W 65 lb / 30 kg



DESIGNER FRIENDLY™ SURFACE TREATMENTS (N/C) (see page 6 & 7)

Powder coat paint finishes Forest Grey Shadow Pearl Charcoal
 Pewter Sage Bronze Arctic Silver

lights + monitor mount assemblies

ceiling + post monitor mount assemblies



MODEL 1380-C
CEILING MOUNT
\$ 1650



MODEL 1331RM
RING POST MOUNT
\$ 740

MODEL 1331TPM
TOP POST MOUNT
\$ 740



ORGANIZER BIN
MOUNT 1300-025
\$ 350

(see page 82 for example)
used with rear delivery systems
and carts with storage
organizer bin

(monitors and posts not included)

STANDARD FEATURES

FACTORY OPTIONS

PART NO

RETAIL

PRICE

MONITOR MOUNT ASSEMBLY

MONITOR MOUNT ASSEMBLY, CEILING MOUNT 1380-C

Ceiling mounting plate and shroud

⇒ Drop post (specify ceiling height)

Coax cable

Low voltage wiring (2 conductor 18 awg wire) 2 each

VGA shielded cable

ICW EV65 monitor mount

Rex positioning handles

Monitor Requirements:

12 volt with power supply

weight: 8-1/4 to 13 lbs max, width of 19"

MONITOR MOUNT ASSEMBLY, RING POST MOUNT 1331RM

ICW Paralink monitor mount

Rex positioning handles

22" ring mount rigid arm

MONITOR MOUNT ASSEMBLY, TOP POST MOUNT 1331TPM

ICW Paralink monitor mount

Rex positioning handles

22" top post mount rigid arm

ORGANIZER BIN MOUNT 1300-025

Forest's unique locking tilt mechanism with knob

1/2" pin

Shipping weight:

1380-C 25 lb / 12 kg

1331RM, 1331TPM 15 lb / 7 kg

1300-025 5 lb / 2 kg

MONITOR MOUNT ASSEMBLYMODEL CHOICE_____

PRICE :

S Video, cable pre-installed (1380-C)0014-282

\$ 35

RCA cables (3 conductor), cable pre-installed (1380-C)0014-283

35

LIGHT POST (1331RM)

44" w/dual slot, fixed sidebox mount, w/Forest light bushing1110-170

180

35" w/slot & post clamp, fixed mount, w/Forest light bushing1110-045

230

⇒ Pivot light posts & requirements(call to order)

MONITOR POST (1331TPM)

30" w/dual slot, fixed sidebox mount, w/oilite bushing1331-998

180

30" w/slot & post clamp, fixed mount, w/oilite bushing1331-997

230

⇒ Pivot monitor posts & requirements(call to order)

TOTAL

⇒ ****SPECIFY MOUNTING HEIGHT**** _____



DESIGNER FRIENDLY™ SURFACE TREATMENTS (N/C) (see page 6 & 7)

- Powder coat paint finishes
- Forest Grey
 - Shadow
 - Pearl
 - Charcoal
 - Pewter
 - Sage
 - Bronze
 - Arctic Silver

affordable excellence details

large ventilated garage

(large rust-free powder coated aluminum chassis located below hinged work surface to house factory installed ancillary products: Bien-Air electric handpiece, Satelec scaler, curing light or Air Techniques intraoral camera)



low voltage wiring
(to power bus plus 110V power cord, standard)

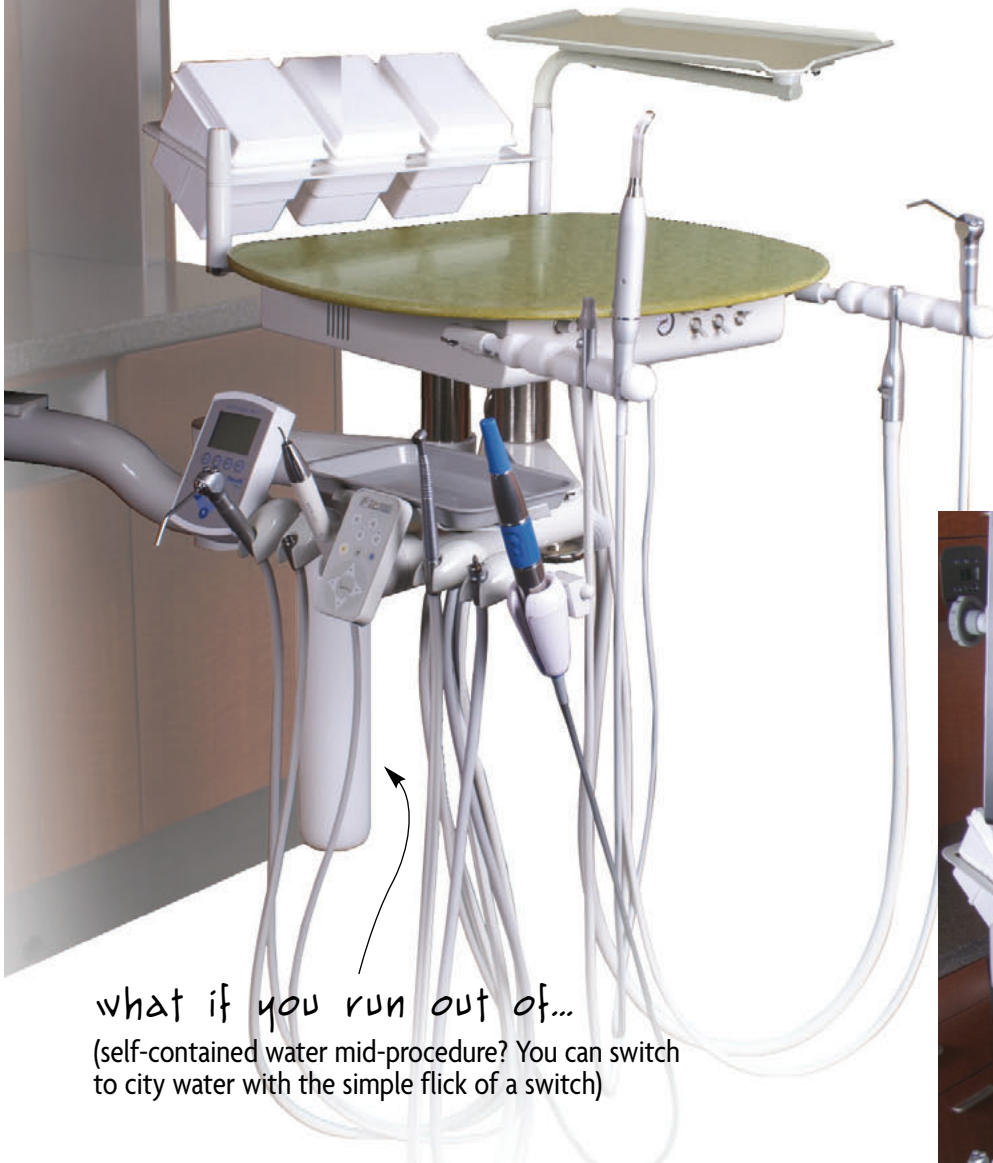
**NEW
AT FOREST
7000 SERIES**
the ultimate
multi-function
delivery system

store key consumables

(three bin storage organizer assembly to store commonly used items such as cotton balls and 2x2's)

handles all your delivery needs

(three handpiece control block standard, also available with 4, or industry leading 5, handpiece positions)

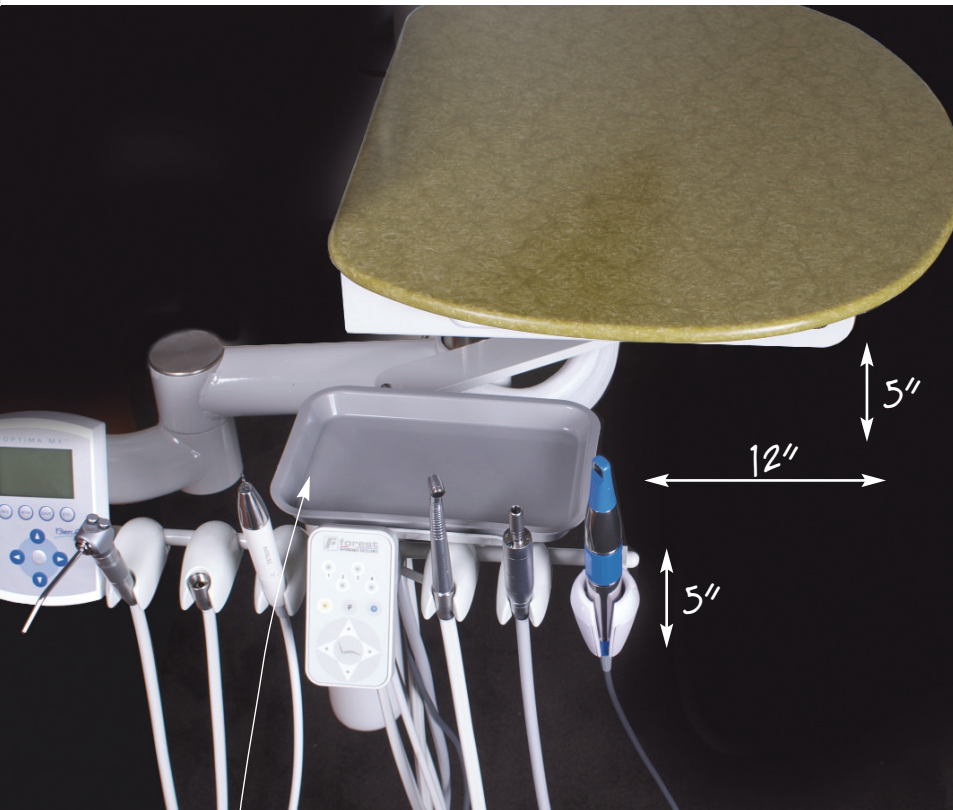


what if you run out of...
(self-contained water mid-procedure? You can switch to city water with the simple flick of a switch)



up, down and all around...

(Handpiece holder bar and assistant's work surface move independent of each other; an industry leading total 10" of separate vertical travel and 12" of horizontal travel, which allows you and your chair side to adjust equipment around your natural posture)



say hi to your "burr buddy"
(includes Zirc covered instrument tray, standard)

*the Ferrari of organization
system support centers*

(Designed to be the most expansive interchangeable support system for cassettes, tubs, monitor, keyboard and mouse. Grow your work surface to four swivel trays or three swivel trays and one monitor mount.)

DESIGNER FRIENDLY	2
DELIVERY SYSTEMS WITHOUT CHAIR.....	14
PIVOT CHAIR MOUNT PACKAGES	20
FIXED CHAIR MOUNT WITH SIDEBOX PACKAGES	36
FIXED CHAIR MOUNT WITHOUT SIDEBOX PACKAGES.....	52
CHAIRS + STOOLS	68
LIGHTS + MONITOR MOUNT ASSEMBLIES	74
REAR + SIDE DELIVERY SYSTEMS	82
Rear mount, side delivery.....	84
Rear wall mount, side delivery	86
Rear beneath counter mount, side delivery.....	87
Rear or side beneath the counter mount.....	88
Rear beneath counter mount.....	89
Side cabinet mount	90
Side wall mount	92
Cabinetry mounting configurations.....	94
CARTS	96
CUSPIDORS.....	106
OPTIONAL DELIVERY SYSTEMS	112
FACTORY OPTIONS + PARTS.....	120
GENERAL INFORMATION.....	132

SHOWN, ALL:

7681

rear + side delivery systems

rear mount, side delivery

CABINET MOUNTING CONFIGURATIONS

(see pages 94-95)



Beneath counter mount

MODEL 7381
\$ 4810



Under cabinet mount

MODEL 7383
\$ 4750



Floor mount

MODEL 7382
\$ 4495



Wall mount

MODEL 7380
\$ 4550

STANDARD FEATURES

ASSISTANT'S SWING DELIVERY SYSTEM 7300 SERIES

- Vertical travel, 10"
- Pneumatic work surface easy lift/close mechanism
- Central vacuum accessory package
 - canister w/disposable solids collector
 - asepsis 3-way air/water syringe w/tubing, 5'
 - autoclavable universal HVE lever valve w/tubing, 5'
 - autoclavable saliva ejector lever valve w/tubing, 5'
- Self contained clean water system, single bottle
 - 1½ liter w/quick disconnect bottle assembly
- Dual assistant's quad holder assemblies
- Universal heavy duty mounting plate
 - 11" x 14-1/2", beneath counter (7381)
 - Wall mount panel, 18" x 24", wall mount (7380)
- Solid work surface 18" x 24"
- Covered storage organizer with frame
- Arm mounted tray holder
- Umbilical, 7'
- Assistant's utility center w/o housing and cover (7381 & 7383)
- Assistant's utility center with housing and cover (7380)
 - air pressure regulator with filter
 - master shut-off valve
- In floor recessed utility center with housing & cover (7382)

FACTORY OPTIONS

FACTORY OPTIONS	PART NO	RETAIL	PRICE
DELIVERY SYSTEM	MODEL CHOICE		PRICE :
Universal HVE in lieu of standard	.1400-207-CS	\$ N/C	
Additional standard autoclavable HVE			
w/tubing, 5' & autoclavable oral dry cup	.1400-113-CS	75	
Heated syringe conversion kit (1) per syringe	.1107-450-CS	285	
Quick disconnect w/flow control 1/4" (for water)	.0016-454-CS	90	
Quick disconnect w/flow control 3/8" (for air)	.0016-456-CS	90	
Less covered storage organizer with frame	.1110-185-CS	- 200	
Less arm mounted tray holder	.1110-908-CS	- 150	
Touchpad for 3900 chair (25 ft. Cable) (deduct page 71)	.1700-081-1-CS	450	
Touchpad for 6300 chair (25 ft. Cable) (deduct page 70)	.1700-082-1-CS	600	
Monitor mount assembly (monitor not included)	.1300-025	350	
Additional tray holder (limit 3)	.1110-909-CS	300	
Standard utility center housing & cover (7381 & 7383)	.1115-020	100	
Special color solid work surface upgrade	.0023-776-SSV	(call for price)	
Universal mounting plate, 10"x24" in lieu of 11"x14-1/2"	.0010-084-CS	110	
Additional umbilical (per foot)	.1115-998-CS	20	
Satelec SP Newtron piezo/LED piezo scaler	.SATELEC-S/SATELEC-S-LED	1730/2220	

TOTAL

DESIGNER FRIENDLY™ SURFACE TREATMENTS (N/C) (see page 6 & 7)

- Powder coat paint finishes:
- Forest Grey
 - Shadow
 - Pearl
 - Charcoal
 - Pewter
 - Sage
 - Bronze
 - Arctic Silver

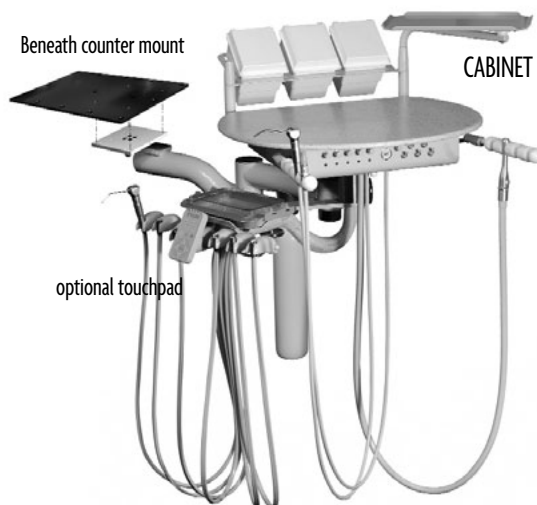
Specify solid work surface color (see page 132):

Specify wall laminate color (see page 132):

Mounting plate dimensions, see page 138-139

Shipping weight:

7380, 7381, 7382, 7383 125 lb / 57 kg



MODEL 7681
\$ 6310

CABINET MOUNTING CONFIGURATIONS (see pages 94-95)



MODEL 7683
\$ 6255



MODEL 7682
\$ 5995



MODEL 7680
\$ 6050

STANDARD FEATURES

DUO SWING DELIVERY SYSTEM 7600 SERIES

Same as Assistant's (page 84), with additional features:

- Vertical travel, 10"
- Duo control
 - automatic control for three handpieces
 - asepsis 3-way air water syringe w/tubing, 5' handpiece tubing, 4-hole Midwest, asepsis style, 5' pneumatic master control block w/diaphragm master on/off
 - individual handpiece pressure adjustment
 - individual water coolant adjustment
 - non-retraction water coolant with on/off air coolant adjustment
 - handpiece flush
 - handpiece exhaust filter/oil collector
 - wet/dry foot control
- Universal heavy duty mounting plate
 - 11" x 14-1/2"; beneath counter (7681)
 - Wall mount panel 18" x 24"; wall mount (7680)
 - "Burr Buddy" sliding tray holder and covered Zirc tray
 - Standard utility center w/o housing and cover (7681, 7683)
 - Standard utility center with housing and cover (7680)
 - air pressure regulator with filter
 - master air shut-off valve
 - In floor recessed utility center with housing & cover (7682)
- Lifetime warranty under hood:
 - handpiece control blocks, handpiece manifolds, diaphragms, water relay valves, needle control valves, toggle valves, shuttle valves, check valves

Mounting plate dimensions, see page 138-139

Shipping weight:
7680, 7681, 7682, 7683 130 lb / 59 kg

FACTORY OPTIONS

DELIVERY SYSTEM	PART NO	RETAIL	PRICE
DELIVERY SYSTEM	MODEL CHOICE	PRICE:	
Handpiece Illumination System			
one handpiece (5-hole), accommodates 1 add'l tubing	.1700-012-CS	\$ 265	
add'l handpiece illumination tubing (5-hole)	.0017-694-CS	220	
one handpiece (6-pin), accommodates 1 add'l tubing	.1700-017-CS	265	
add'l handpiece illumination tubing (6-pin)	.0017-994-CS	220	
(1) Time delay kit per HP illumination tubing	.0014-122	160	
Additional handpiece position, wet	.1100-189-CS	385	
Additional handpiece position, air drive only	.1100-190-CS	185	
Less handpiece position	.1700-099-CS	-100	
Universal HVE in lieu of standard	.1400-207-CS	N/C	
Additional standard autoclavable HVE			
w/tubing, 5' & autoclavable oral dry cup	.1400-113-CS	75	
Heated syringe conversion kit (1) per syringe	.1107-450-CS	285	
Quick disconnect w/flow control 1/4" (for water)	.0016-454-CS	90	
Quick disconnect w/flow control 3/8" (for air)	.0016-456-CS	90	
Less covered storage organizer with frame	.1110-185-CS	-200	
Less arm mounted tray holder	.1110-908-CS	-150	
Touchpad for 3900 chair (25 ft. Cable) (deduct page 71)	.1700-081-1-CS	450	
Touchpad for 6300 chair (25 ft. Cable) (deduct page 70)	.1700-082-1-CS	600	
Monitor mount assembly (monitor not included)	.1300-025	350	
Additional tray holder (limit 3 add'l)	.1110-909-CS	300	
Standard utility center housing & cover (7681 & 7683)	.1115-020	100	
Special color solid work surface upgrade	.0023-776-SSV	(call for price)	
Universal mounting plate, 10"x24" in lieu of 11"x14-1/2"	.0010-084-CS	110	
Additional umbilical (per foot)	.1115-999-CS	30	
Bien-Air Optima MX INT electric handpiece control	.BIEN-AIR	3995	
Bien-Air Optima MX INT dual electric handpiece control	.BIEN-AIR-D	6375	
Satelec LED mini curing light	.SATELEC-CL	1425	
Satelec SP Newtron piezo/LED piezo scaler	.SATELEC-S/SATELEC-S-LED	1730/2220	
Air-Techniques Polaris intraoral camera	.AIRTECH-C	4995	

TOTAL



DESIGNER FRIENDLY™ SURFACE TREATMENTS (N/C) (see page 6 & 7)

- Powder coat paint finishes:
- Forest Grey
 - Shadow
 - Pearl
 - Charcoal
 - Pewter
 - Sage
 - Bronze
 - Arctic Silver

Specify solid work surface color (see page 132):

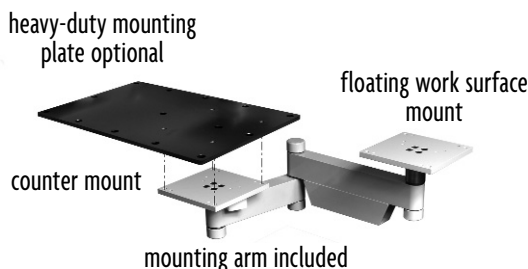
Specify wall laminate color (see page 132):

rear + side delivery systems

rear beneath counter mount, side delivery



MODEL 3485
\$ 3405



CABINET MOUNTING CONFIGURATIONS
(see pages 94-95)



MODEL 3685
\$ 4730

STANDARD FEATURES

ASSISTANT'S SWING DELIVERY SYSTEM 3485

Central vacuum accessory package
 arm mounted central vacuum canister
 w/disposable solids collector
 asepsis 3-way air/water syringe w/tubing, 5'
 autoclavable standard HVE lever valve w/tubing, 5'
 autoclavable saliva ejector lever valve w/tubing, 5'
 Self contained clean water system, single bottle 1½ liter
 Dual assistant's holder quad assemblies
 Beneath counter rigid arm assembly
 Laminate work surface, 17" x 19"
 Mounting Plate, 10" x 24"
 Covered storage organizer with frame
 Arm mounted tray holder
 Umbilical, 7'
 Assistant's utility center without housing & cover
 Air pressure regulator with filter master shut-off valve
 Lifetime warranty:
 handpiece control blocks, handpiece manifolds,
 diaphragms, water relay valves, needle control valves,
 toggle valves, shuttle valves, check valves

DUO SWING DELIVERY SYSTEM 3685

Same as Unit above, with additional features:

Standard IC control head
 automatic control for three handpieces
 asepsis 3-way air/water syringe w/tubing, 5'
 handpiece tubing, 4-hole Midwest, asepsis style, 5'
 pneumatic master control block w/diaphragm
 master on/off
 individual handpiece pressure adjustment
 individual water coolant adjustment
 non-retraction water coolant with on/off
 air coolant adjustment
 handpiece flush
 handpiece exhaust filter/oil collector
 wet/dry foot control
 Standard utility center w/o housing & cover
 air pressure regulator with filter
 master air shut-off valve

FACTORY OPTIONS

	PART NO	RETAIL	PRICE
DELIVERY SYSTEM	MODEL CHOICE		PRICE:
Handpiece Illumination System (3685)			
one handpiece (5-hole), accommodates 1 add'l tubing	1700-012-CS	\$ 265	
add'l handpiece illumination tubing (5-hole)	0017-694-CS	220	
one handpiece (6-pin), accommodates 1 add'l tubing	1700-017-CS	265	
add'l handpiece illumination tubing (6-pin)	0017-994-CS	220	
(1) Time delay kit per HP illumination tubing	0014-122	160	
Additional handpiece position, wet (3685)	1110-189-CS	385	
Additional handpiece position, air drive only (3685)	1100-190-CS	185	
Less handpiece position (3685)	1700-099-CS	-100	
Universal HVE in lieu of standard	1400-207-CS	N/C	
Additional standard autoclavable HVE			
w/tubing, 5' & autoclavable oral dry cup	1400-113-CS	75	
Heated syringe conversion kit (1) per syringe	1107-450-CS	285	
Quick disconnect w/flow control 1/4" (for water)	0016-454-CS	90	
Quick disconnect w/flow control 3/8" (for air)	0016-456-CS	90	
Less storage organizer with frame	1110-185-CS	-200	
Less arm mounted tub and tray holder	1110-908-CS	-150	
Touchpad for 3900 chair (25 ft. Cable) (deduct page 71)	1700-081-1-CS	450	
Touchpad for 6300 chair (25 ft. Cable) (deduct page 70)	1700-082-1-CS	600	
Monitor mount assembly (monitor not included)	1300-025	350	
Universal heavy duty mounting plate, 11" x 14-1/2"	0010-086	175	
Universal heavy duty mounting plate, 10" x 24"	0010-084	285	
Standard utility center housing & cover	1115-020	100	
Solid work surface upgrade	0023-373-SS	500	
Special color laminate or solid work surface upgrade	0023-373-X / 0023-373-SSV	(call for price)	
Additional umbilical (per foot)	1115-999-CS	30	
Bien-Air Optima MX INT electric handpiece control	BIEN-AIR	3995	
Bien-Air Optima MX INT dual electric handpiece control	BIEN-AIR-D	6375	
Satelec LED mini curing light	SATELEC-CL	1425	
Satelec SP Newtron piezo/LED piezo scaler	SATELEC-S/SATELEC-S-LED	1730/2220	
Air-Techniques Polaris intraoral camera	AIRTECH-C	4995	

TOTAL



DESIGNER FRIENDLY™ SURFACE TREATMENTS (N/C) (see page 6 & 7)

Plastic finishes:	<input type="radio"/> Forest Grey	<input type="radio"/> Lemans (carbon fiber)	<input type="radio"/> Laser Leather (carbon fiber)	<input type="radio"/> Greywood (carbon fiber)
Powder coat paint finishes:	<input type="radio"/> Forest Grey	<input type="radio"/> Shadow	<input type="radio"/> Pearl	<input type="radio"/> Charcoal
	<input type="radio"/> Pewter	<input type="radio"/> Sage	<input type="radio"/> Bronze	<input type="radio"/> Arctic Silver

Specify solid work surface color (see page 132):

Mounting plate dimensions, see page 140

Shipping weight:

3685 120 lb / 55 kg 3485 115 lb / 53 kg

rear + side delivery systems

rear or side beneath counter mount



MODEL 2400
\$ 2590



beneath counter mount with
swivel included
(beneath counter slide optional
see page 128)

CABINET MOUNTING CONFIGURATIONS
(see pages 94-95)



MODEL 2745
\$ 2075

STANDARD FEATURES

FACTORY OPTIONS

PART NO

RETAIL

PRICE

DOCTOR IC DELIVERY SYSTEM 2400

Beneath counter swivel mount (work surface not included)
Standard IC control head
automatic control for three handpieces
asepsis 3-way air/water syringe w/tubing, 5'
handpiece tubing, 4-hole Midwest, asepsis style, 5'
pneumatic master control block w/diaphragm
master on/off
individual handpiece pressure adjustment
individual water coolant adjustment
non-retraction water coolant with on/off
air coolant adjustment
handpiece flush
handpiece exhaust filter/oil collector
self contained clean water system,
single bottle 1½ liter
wet/dry foot control
External 7' umbilical
Standard utility center w/o housing & cover
air pressure regulator with filter
master air shut-off valve
Lifetime warranty under hood:
handpiece control blocks, handpiece manifolds,
diaphragms, water relay valves, needle control valves,
toggle valves, shuttle valves, check valves

HYGIENIST DELIVERY SYSTEM 2745

Same as Unit above, with additional features:

Value hygienist control head
automatic control for two handpieces
individual pinch valve control blocks
Central vacuum accessory package
central vacuum canister w/disposable solids collector
autoclavable standard HVE lever valve w/tubing, 5'
autoclavable saliva ejector lever valve w/tubing, 5'

Mounting plate dimensions, see page 141

Shipping weight:

2400, 2745 28 lb / 13 kg

FACTORY OPTIONS	PART NO	RETAIL	PRICE
DELIVERY SYSTEM MODEL CHOICE _____			PRICE : _____
Handpiece Illumination System			
one handpiece (5-hole)1700-012-CS	\$ 265	_____
add'l handpiece illumination tubing (5-hole)0017-694-CS	220	_____
one handpiece (6-pin)1700-017-CS	265	_____
add'l handpiece illumination tubing (6-pin)0017-994-CS	220	_____
(1) Time delay kit per HP illumination tubing0014-122	160	_____
Additional handpiece position, wet1100-189-CS	385	_____
Additional handpiece position, air drive only1100-190-CS	185	_____
Less handpiece position1700-099-CS	-100	_____
Universal HVE in lieu of standard (2745)1400-207-CS	N/C	_____
Additional standard autoclavable HVE			
w/tubing, 5' & autoclavable oral dry cup (2745)1400-113-CS	75	_____
Heated syringe conversion kit (1) per syringe1107-450-CS	285	_____
Quick disconnect with flow control, 1/4" (specify air or water)0016-455-CS	90	_____
Slide mount with swivel, 9" extension1700-030	250	_____
Folding arm assembly, 8" x 12" with wall mount1110-115-CS	300	_____
Touchpad for 3900 chair (25 ft. Cable) (deduct page 71)1700-081-1-CS	450	_____
Touchpad for 6300 chair (25 ft. Cable) (deduct page 70)1700-082-1-CS	600	_____
⇒ Standard utility center housing & cover1115-020	100	_____
⇒ Deluxe utility center housing & cover1115-007	200	_____
⇒ Contoured utility center housing & cover3900-001	350	_____
Additional umbilical (per foot)1115-998-CS	20	_____
Chrome accents (see page 6)9000-998-CS	120	_____
Bien-Air Optima MX INT electric handpiece control	BIEN-AIR	3995	_____
Bien-Air Optima MX INT dual electric handpiece control	BIEN-AIR-D	6375	_____
Satelec LED mini curing light	SATELEC-CL	1425	_____
Satelec SP Newtron piezo/LED piezo scaler	SATELEC-S/SATELEC-S-LED	1730/2220	_____
Air-Techniques Polaris intraoral camera	AIRTECH-C	4995	_____

TOTAL

DESIGNER FRIENDLY™ SURFACE TREATMENTS (N/C) (see page 6 & 7)

Plastic finishes:	<input type="radio"/> Forest Grey	<input type="radio"/> Lemans (carbon fiber)	<input type="radio"/> Laser Leather (carbon fiber)	<input type="radio"/> Greywood (carbon fiber)
Powder coat paint finishes:	<input type="radio"/> Forest Grey	<input type="radio"/> Shadow	<input type="radio"/> Pearl	<input type="radio"/> Charcoal
	<input type="radio"/> Pewter	<input type="radio"/> Sage	<input type="radio"/> Bronze	<input type="radio"/> Arctic Silver

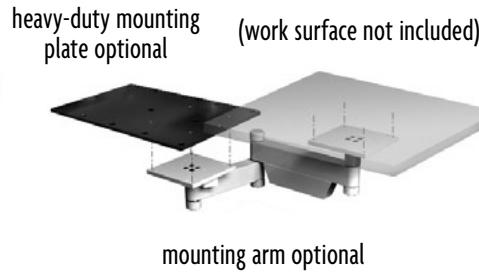
rear + side delivery systems

rear beneath counter mount

mounts to counter or floating work surface



MODEL 1280
\$ 1385



CABINET MOUNTING CONFIGURATIONS
(see pages 94-95)

mounts under counter or floating work surface



MODEL 2180
\$ 3215

STANDARD FEATURES

HORIZONTAL ASSISTANT'S DELIVERY SYSTEM 1280

Central vacuum accessory package, swing mount arm mounted central vacuum canister w/disposable solids collector
asepsis 3-way air/water syringe w/tubing, 5' autoclavable universal HVE lever valve w/tubing, 5' autoclavable saliva ejector lever valve w/tubing, 5' self-contained clean water system, single bottle 1½ liter
Horizontal surface mount
External umbilical, 7'
Standard utility center w/o housing & cover
air pressure regulator with filter
master air shut-off valve
Lifetime warranty:
handpiece control blocks, handpiece manifolds, diaphragms, water relay valves, needle control valves, toggle valves, shuttle valves, check valves

HORIZONTAL DUO DELIVERY SYSTEM 2180

Same as Unit above, with additional features:

Automatic panel control for three handpieces
Instrument delivery
asepsis 3-way air/water syringe w/tubing, 5' handpiece tubing, 4-hole Midwest, asepsis style, 3' pneumatic master control block w/diaphragm
master on/off
individual handpiece pressure adjustment
individual water coolant adjustment
non-retraction water coolant with on/off
air coolant adjustment
wet/dry foot control
Internal umbilical, 7'
Standard utility center w/o housing & cover
air pressure regulator with filter
master air shut-off valve

Mounting plate dimensions, see page 141
Panel cut-out, see page 144

Shipping weight:

1280 12 lb / 5 kg
2180 30 lb / 14 kg

FACTORY OPTIONS

PART NO	RETAIL	PRICE
DELIVERY SYSTEM MODEL CHOICE	PRICE :	_____
Handpiece Illumination System (2180)		
one handpiece (5-hole), accommodates 1 add'l tubing 1700-012-CS	\$ 265	_____
add'l handpiece illumination tubing (5-hole) 0017-694-CS	220	_____
one handpiece (6-pin), accommodates 1 add'l tubing 1700-017-CS	265	_____
add'l handpiece illumination tubing (6-pin) 0017-994-CS	220	_____
(I) Time delay kit per HP illumination tubing 0014-122	160	_____
Additional handpiece position, wet (2180) 1100-189-CS	385	_____
Additional handpiece position, air drive only (2180) 1100-190-CS	185	_____
Less handpiece position (2180) 1700-099-CS	- 100	_____
Additional universal autoclavable HVE position w/tubing, 5' & autoclavable oral dry cup 1400-119-CS	75	_____
Dual articulating quad holder assembly, universal HVE 0024-224-CS	200	_____
Heated syringe conversion kit (I) per syringe 1107-450-CS	285	_____
Slide mount, 9" extension 1700-141	250	_____
Touchpad for 3900 chair (25 ft. Cable) (deduct page 71) 1700-081-1-CS	450	_____
Touchpad for 6300 chair (25 ft. Cable) (deduct page 70) 1700-082-1-CS	600	_____
Chrome accents (see page 6) (2180) 9000-998-CS	120	_____
☛ Floating work surface to under counter arm assembly, 20" 0023-806	655	_____
Universal heavy-duty mounting plate, 11" x 14-1/2" 0010-086	175	_____
Universal heavy-duty mounting plate 10" x 24" 0010-084	285	_____
☛ Standard utility center housing & cover 1115-020	100	_____
☛ Deluxe utility center housing & cover 1115-007	200	_____
☛ Contoured utility center housing & cover 3900-001	350	_____
Additional umbilical (per foot) 1115-998-CS	20	_____
Bien-Air Optima MX INT electric handpiece control BIEN-AIR	3995	_____
Bien-Air Optima MX INT dual electric handpiece control BIEN-AIR-D	6375	_____
Satelec LED mini curing light SATELEC-CL	1425	_____
Satelec SP Newtron piezo/LED piezo scaler SATELEC-S/SATELEC-S-LED	1730/2220	_____
Air-Techniques Polaris intraoral camera AIRTECH-C	4995	_____

TOTAL



DESIGNER FRIENDLY™ SURFACE TREATMENTS (N/C) (see page 6 & 7)

Plastic finishes:	<input type="radio"/> Forest Grey	<input type="radio"/> Lemans (carbon fiber)	<input type="radio"/> Laser Leather (carbon fiber)	<input type="radio"/> Greywood (carbon fiber)
Powder coat paint finishes:	<input type="radio"/> Forest Grey	<input type="radio"/> Shadow	<input type="radio"/> Pearl	<input type="radio"/> Charcoal
	<input type="radio"/> Pewter	<input type="radio"/> Sage	<input type="radio"/> Bronze	<input type="radio"/> Arctic Silver



MODEL 3735
VALUE CONTROL HEAD
\$ 3060



MODEL 3745
HYGIENIST VALUE CONTROL HEAD
\$ 3300

CABINET MOUNTING CONFIGURATIONS
(see pages 94-95)

STANDARD FEATURES

DOCTOR DELIVERY SYSTEM 3735

- Value control head
 - automatic control for three handpieces
 - asepsis 3-way air/water syringe w/tubing, 5 handpiece tubing, 4-hole Midwest, asepsis style, 5' individual pinch valve control blocks
 - master on/off
 - individual handpiece pressure adjustment
 - individual water coolant adjustment
 - non-retraction water coolant with on/off air coolant adjustment
 - handpiece flush
 - handpiece exhaust filter/oil collector
 - single handle brake release function
 - self contained clean water system, single bottle 1½ liter
 - wet/dry foot control
- Flexible control arm with pneumatic brake
 - cabinet vertical mount 12" rigid arm & 18" flex arm
- External 5' umbilical
- Standard utility center w/o housing and cover
 - air pressure regulator with filter
 - master air shut-off valve
- Lifetime warranty:
 - handpiece control blocks, handpiece manifolds, diaphragms, water relay valves, needle control valves, toggle valves, shuttle valves, check valves

VALUE HYGIENIST DELIVERY SYSTEM 3745

Same as Unit above, with additional features:

- Value hygienist control head
 - automatic control for two handpieces
- Central vacuum accessory package
 - central vacuum canister w/disposable solids collector
 - autoclavable standard HVE lever valve w/tubing, 5' autoclavable saliva ejector lever valve w/tubing, 5'
- Suggested mounting height (see page 140)
- Minimum cabinet opening (18" x 29")

Mounting plate dimensions, see page 142
Shipping weight:
3735, 3745 50 lb / 23 kg

FACTORY OPTIONS

FACTORY OPTIONS	PART NO	RETAIL	PRICE
DELIVERY SYSTEM MODEL CHOICE			PRICE :
Handpiece Illumination System			
one handpiece (5-hole), accommodates 1 add'l tubing1700-012-CS	\$ 265	
add'l handpiece illumination tubing (5-hole)0017-694-CS	220	
one handpiece (6-pin), accommodates 1 add'l tubing1700-017-CS	265	
add'l handpiece illumination tubing (6-pin)0017-994-CS	220	
(1) Time delay kit per HP illumination tubing0014-122	160	
Additional handpiece position, wet1100-189-CS	385	
Additional handpiece position, air drive only1100-190-CS	185	
Less handpiece position1700-099-CS	-100	
Universal HVE in lieu of standard (3745)1400-207-CS	N/C	
Additional standard autoclavable HVE			
w/tubing, 5' & autoclavable oral dry cup (3745)1400-113-CS	75	
Heated syringe conversion kit (1) per syringe1107-450-CS	285	
Quick disconnect with flow control, 1/4" (specify air or water)0016-455-CS	90	
Additional brake release handle activation (left)0023-642-CS	125	
Swivel tray, arm mounted (over control head)1110-468	300	
Self-contained clean water system,			
dual bottles, 1½ liters each in lieu of single1700-121-CS	150	
Touchpad for 3900 chair (25 ft. Cable) (deduct page 71)1700-081-T-CS	450	
Touchpad for 6300 chair (25 ft. Cable) (deduct page 70)1700-082-T-CS	600	
Standard utility center housing & cover1115-020	100	
Deluxe utility center housing & cover1115-007	200	
Contoured utility center housing & cover3900-001	350	
Additional umbilical (per foot)1115-999-CS	30	
Wall mount panel, 18" x 24" (specify color, see page 132)1110-498	255	
Ring mount rigid arm in lieu of top post mount (see page 129)			
26" w/o vertical mount1110-537-RM	N/C	
26" rigid w/24" flex w/o vertical mount1110-771-RM	N/C	
Chrome accents (see page 6)9000-998-CS	120	
Bien-Air Optima MX INT electric handpiece controlBIEN-AIR	3995	
Bien-Air Optima MX INT dual electric handpiece controlBIEN-AIR-D	6375	
Satelec LED mini curing lightSATELEC-CL	1425	
Satelec SP Newtron piezo/LED piezo scalerSATELEC-S/SATELEC-S-LED	1730/2220	
Air-Techniques Polaris intraoral cameraAIRTECH-C	4995	

TOTAL

DESIGNER FRIENDLY™ SURFACE TREATMENTS (N/C) (see page 6 & 7)

Plastic finishes:	<input type="radio"/> Forest Grey	<input type="radio"/> Lemans (carbon fiber)	<input type="radio"/> Laser Leather (carbon fiber)	<input type="radio"/> Greywood (carbon fiber)
Powder coat paint finishes:	<input type="radio"/> Forest Grey	<input type="radio"/> Shadow	<input type="radio"/> Pearl	<input type="radio"/> Charcoal
	<input type="radio"/> Pewter	<input type="radio"/> Sage	<input type="radio"/> Bronze	<input type="radio"/> Arctic Silver

rear + side delivery systems

side wall mount



MODEL 3530
CONTOURED IC CONTROL HEAD
\$ 3810



MODEL 3230
STANDARD IC CONTROL HEAD
\$ 3810



MODEL 3240
HYGIENIST IC CONTROL HEAD
\$ 4380

STANDARD FEATURES

FACTORY OPTIONS

PART NO

RETAIL

PRICE

DOCTOR DELIVERY SYSTEM 3530/3230

Contoured/standard IC control head
 automatic control for three handpieces
 asepsis 3-way air/water syringe w/tubing, 5
 handpiece tubing, 4-hole Midwest, asepsis style, 5'
 pneumatic master control block w/diaphragm
 master on/off
 individual handpiece pressure adjustment
 individual water coolant adjustment
 non-retraction water coolant with on/off
 air coolant adjustment
 handpiece flush
 handpiece exhaust filter/oil collector
 single handle brake release function
 self contained clean water system,
 single bottle 1½ liter
 wet/dry foot control
 Flexible control arm with pneumatic brake
 wall vertical mount 22" rigid arm & 18" flex arm
 External 5' umbilical
 Standard utility center with housing and cover
 air pressure regulator with filter
 master air shut-off valve
 Lifetime warranty:
 handpiece control blocks, handpiece manifolds,
 diaphragms, water relay valves, needle control valves,
 toggle valves, shuttle valves, check valves

FACTORY OPTIONS	PART NO	RETAIL	PRICE
DELIVERY SYSTEM	MODEL CHOICE		PRICE :
Handpiece Illumination System			
one handpiece (5-hole)	1700-012-CS	\$ 265	
add'l handpiece illumination tubing (5-hole)	0017-694-CS	220	
one handpiece (6-pin)	1700-017-CS	265	
add'l handpiece illumination tubing (6-pin)	0017-994-CS	220	
(1) Time delay kit per HP illumination tubing	0014-122	160	
Additional handpiece position, wet	1100-189-CS	385	
Additional handpiece position, air drive only	1100-190-CS	185	
Less handpiece position	1700-099-CS	-100	
Universal HVE in lieu of standard (3240)	1400-207-CS	N/C	
Additional standard autoclavable HVE			
w/tubing, 5' & autoclavable oral dry cup (3240)	1400-113-CS	75	
Air-electric switch	0014-085	30	
Heated syringe conversion kit (1) per syringe	1107-450-CS	285	
Quick disconnect w/flow control 1/4" (for water)	0016-454-CS	90	
or Quick disconnect w/flow control 3/8" (for air)	0016-456-CS	90	
Additional brake release handle activation (left)	0023-642-CS	125	
Swivel tray, arm mounted (over control head)	1110-468	300	
Self-contained clean water system,			
dual bottles, 1½ liters each in lieu of single	1700-121-CS	150	
Touchpad for 3900 chair (25 ft. Cable) (deduct page 71)	1700-081-1-CS	450	
Touchpad for 6300 chair (25 ft. Cable) (deduct page 70)	1700-082-1-CS	600	
Additional umbilical (per foot)	1115-999-CS	30	
Wall mount panel, 18" x 24" (specify color, see page 132)	1110-498	255	
Ring mount rigid arm in lieu of top post mount (see page 129)			
22" w/o vertical mount	1110-536-RM	N/C	
26" w/o vertical mount	1110-537-RM	N/C	
26" rigid w/24" flex w/o vertical mount	1110-771-RM	N/C	
Chrome accents (see page 6)	9000-998-CS	120	
Bien-Air Optima MX INT electric handpiece control	BIEN-AIR	3995	
Bien-Air Optima MX INT dual electric handpiece control	BIEN-AIR-D	6375	
Satelec LED mini curing light	SATELEC-CL	1425	
Satelec SP Newtron piezo/LED piezo scaler	SATELEC-S/SATELEC-S-LED	1730/2220	
Air-Techniques Polaris intraoral camera	AIRTECH-C	4995	

TOTAL

DESIGNER FRIENDLY™ SURFACE TREATMENTS (N/C) (see page 6 & 7)

Plastic finishes:	<input type="radio"/> Forest Grey	<input type="radio"/> Lemans (carbon fiber)	<input type="radio"/> Laser Leather (carbon fiber)	<input type="radio"/> Greywood (carbon fiber)
Powder coat paint finishes:	<input type="radio"/> Forest Grey	<input type="radio"/> Shadow	<input type="radio"/> Pearl	<input type="radio"/> Charcoal
	<input type="radio"/> Pewter	<input type="radio"/> Sage	<input type="radio"/> Bronze	<input type="radio"/> Arctic Silver

Mounting plate dimensions, see page 142

Shipping weight:

3530, 3230, 3240 50 lb / 23 kg



MODEL 3730
VALUE CONTROL HEAD
\$ 3135



MODEL 3740
HYGIENIST VALUE CONTROL HEAD
\$ 3375

STANDARD FEATURES

DOCTOR DELIVERY SYSTEM 3730

Value control head
 automatic control for three handpieces
 asepsis 3-way air/water syringe w/tubing, 5
 handpiece tubing, 4-hole Midwest, asepsis style, 5'
 individual pinch valve control blocks
 master on/off
 individual handpiece pressure adjustment
 individual water coolant adjustment
 non-retraction water coolant with on/off
 air coolant adjustment
 handpiece flush
 handpiece exhaust filter/oil collector
 single handle brake release function
 self contained clean water system,
 single bottle 1½ liter
 wet/dry foot control
 Flexible control arm with pneumatic brake
 cabinet vertical mount 22" rigid arm & 18" flex arm
 External 5' umbilical
 Standard utility center with housing and cover
 air pressure regulator with filter
 master air shut-off valve
 Lifetime warranty:
 handpiece control blocks, handpiece manifolds,
 diaphragms, water relay valves, needle control valves,
 toggle valves, shuttle valves, check valves

HYGIENIST DELIVERY SYSTEM 3740

Same as Unit above, with additional features:

Value hygienist control head
 automatic control for two handpieces
 Central vacuum accessory package
 central vacuum canister w/disposable solids collector
 autoclavable standard HVE lever valve w/tubing, 5'
 autoclavable saliva ejector lever valve w/tubing, 5'
 Mounting height (see page 140)

Mounting plate dimensions, see page 142

Shipping weight:

3730, 3740 50 lb / 23 kg

FACTORY OPTIONS

	PART NO	RETAIL	PRICE
DELIVERY SYSTEM MODEL CHOICE			PRICE :
Handpiece Illumination System			
one handpiece (5-hole), accommodates 1 add'l tubing	1700-012-CS	\$ 265	
add'l handpiece illumination tubing (5-hole)	0017-694-CS	220	
one handpiece (6-pin), accommodates 1 add'l tubing	1700-017-CS	265	
add'l handpiece illumination tubing (6-pin)	0017-994-CS	220	
(1) Time delay kit per HP illumination tubing	0014-122	160	
Additional handpiece position, wet	1100-189-CS	385	
Additional handpiece position, air drive only	1100-190-CS	185	
Less handpiece position	1700-099-CS	-100	
Universal HVE in lieu of standard (3740)	1400-207-CS	N/C	
Additional standard autoclavable HVE			
w/tubing, 5' & autoclavable oral dry cup (3740)	1400-113-CS	75	
Heated syringe conversion kit (1) per syringe	1107-450-CS	285	
Quick disconnect with flow control, 1/4" (specify air or water)	0016-455-CS	90	
Additional brake release handle activation (left)	0023-642-CS	125	
Swivel tray, arm mounted (over control head)	1110-468	300	
Touchpad for 3900 chair (25 ft. Cable) (deduct page 71)	1700-081-I-CS	450	
Touchpad for 6300 chair (25 ft. Cable) (deduct page 70)	1700-082-I-CS	600	
Additional umbilical (per foot)	1115-999-CS	30	
➡ Wall mount panel, 18" x 24" (specify color, see page 132)	1110-498	255	
Ring mount rigid arm in lieu of top post mount			
22" w/o vertical mount	1110-536-RM	N/C	
26" w/o vertical mount	1110-537-RM	N/C	
26" rigid w/24" flex w/o vertical mount	1110-771-RM	N/C	
Chrome accents (see page 6)	9000-998-CS	120	
Bien-Air Optima MX INT electric handpiece control	BIEN-AIR	3995	
Bien-Air Optima MX INT dual electric handpiece control	BIEN-AIR-D	6375	
Satelec LED mini curing light	SATELEC-CL	1425	
Satelec SP Newtron piezo/LED piezo scaler	SATELEC-S/SATELEC-S-LED	1730/2220	
Air-Techniques Polaris intraoral camera	AIRTECH-C	4995	

TOTAL

DESIGNER FRIENDLY™ SURFACE TREATMENTS (N/C) (see page 6 & 7)

Plastic finishes:	<input type="radio"/> Forest Grey	<input type="radio"/> Lemans (carbon fiber)	<input type="radio"/> Laser Leather (carbon fiber)	<input type="radio"/> Greywood (carbon fiber)
Powder coat paint finishes:	<input type="radio"/> Forest Grey	<input type="radio"/> Shadow	<input type="radio"/> Pearl	<input type="radio"/> Charcoal
	<input type="radio"/> Pewter	<input type="radio"/> Sage	<input type="radio"/> Bronze	<input type="radio"/> Arctic Silver

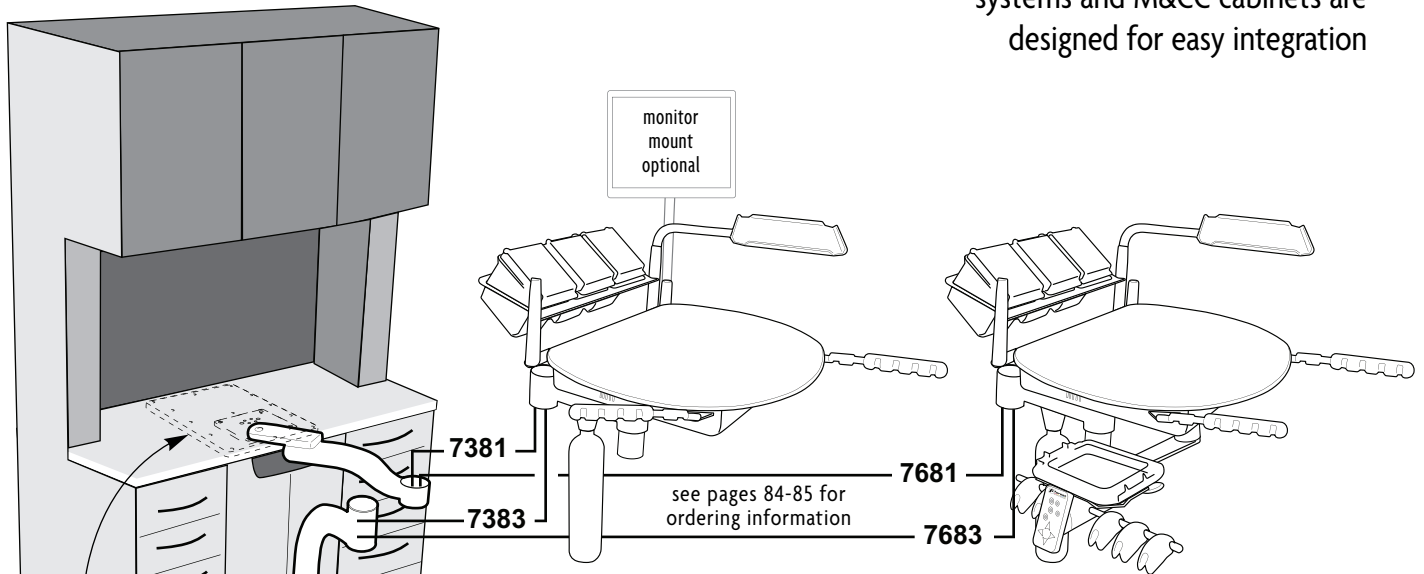
rear + side delivery systems

cabinetry mounting configurations

made for each other

from the ground up, Forest delivery systems and M&CC cabinets are designed for easy integration

M&CC PFR8144

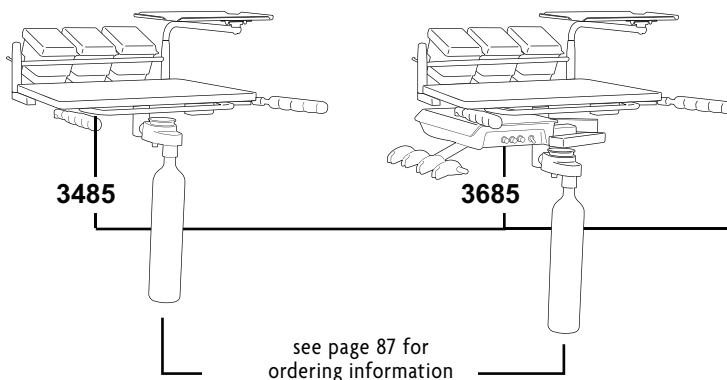


good thinking

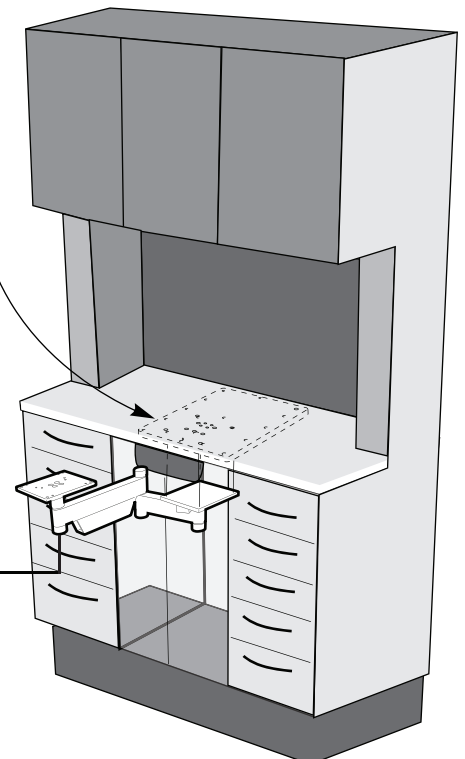
(low profile 1/2" hardened steel mount leaves room for your stool casters)

start with a strong foundation

- your choice of 3/4" hardened steel 11"x 14-1/2" (pre-installed on the PFR8144) or 10"x 24" mounting plate that bolts to the bottom of your counter top
- the 6"x 6" leveling plate is next, then a set of needle roller bearings with friction adjustment
- a super strong 2-1/2" steel tube scissor arm assembly
- needle roller bearings are used where the two arm sections pivot



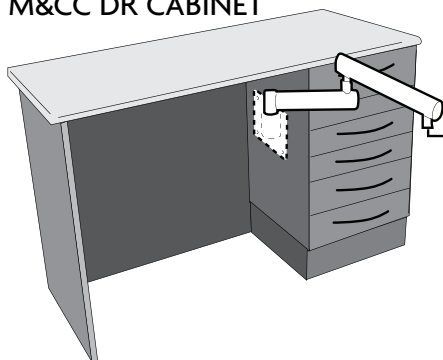
M&CC PFR8144



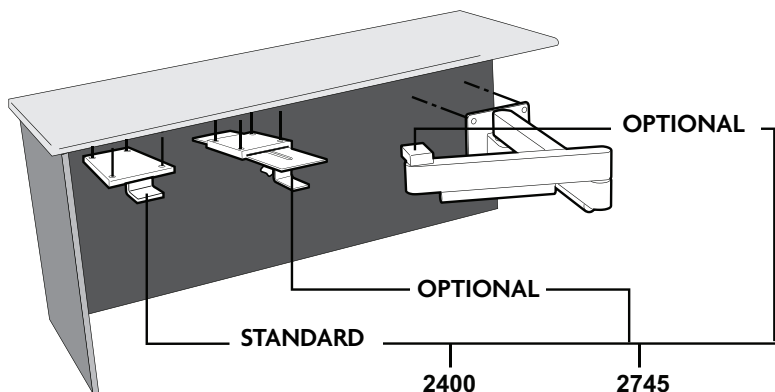
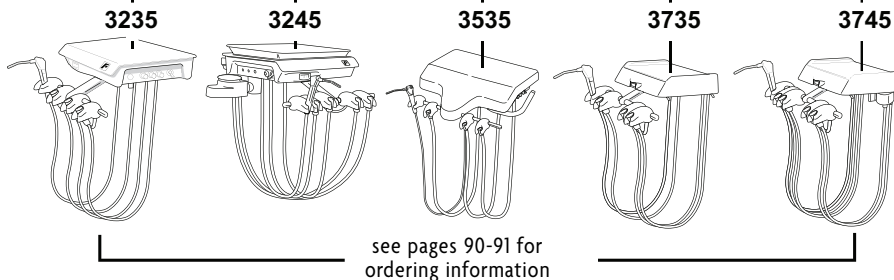
rear + side delivery systems

cabinetry mounting configurations

M&CC DR CABINET

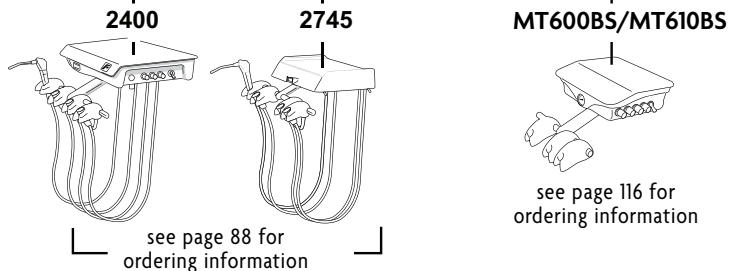


see pages 14-15 for control head choices

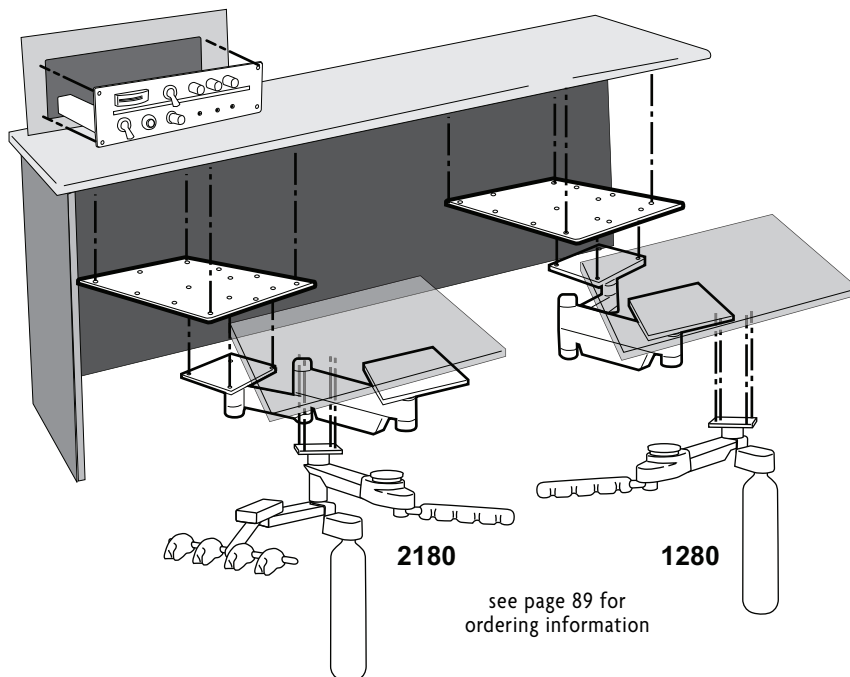


why so many choices?

choose exactly what works best for YOU – Forest has the delivery system and mounting solutions for any cabinetry system



see pages 114-115 for other control panel choices



affordable excellence details

lots of room
(large work surface available
in Corian or Gibraltar)

very accommodating
(can be configured for a doctor,
assistant or simply as a work surface)

let's dance around
(control head easily positions for
left- or right-handed delivery)

handsome is as handsome does
(not only a great workhorse, but dress it up with a
Designer Friendly option and this shouts WOW)



increased efficiency
 (storage organizer bins, swivel tray and tub holder supports your material handling system)

stability is good
 (heavy-duty frame construction and quality all-surface casters ensure a stable work surface)

DESIGNER FRIENDLY2

DELIVERY SYSTEMS WITHOUT CHAIR.....14

PIVOT CHAIR MOUNT PACKAGES20

FIXED CHAIR MOUNT WITH SIDEBOX PACKAGES36

FIXED CHAIR MOUNT WITHOUT SIDEBOX PACKAGES.....52

CHAIRS + STOOLS68

LIGHTS + MONITOR MOUNT ASSEMBLIES74

REAR + SIDE DELIVERY SYSTEMS82

CARTS96

 Mobile carts.....98

 Self-contained mobile carts.....104

CUSPIDORS106

OPTIONAL DELIVERY SYSTEMS112

FACTORY OPTIONS + PARTS.....120

GENERAL INFORMATION.....132

SHOWN LEFT TO RIGHT:

5880 | SOLID WORK SURFACE
 5880 | SOLID WORK SURFACE

mobile carts



MODEL 5380
\$ 3360



MODEL 5370
\$ 2080

STANDARD FEATURES

FACTORY OPTIONS

PART NO

RETAIL

PRICE

ASSISTANT'S CART W/INSTRUMENTATION 5380

Central vacuum accessory package, swing mount
arm mounted central vacuum canister
w/disposable solids collector
asepsis 3-way air/water syringe w/tubing, 5'
autoclavable standard HVE lever valve w/tubing, 5'
autoclavable saliva ejector lever valve w/tubing, 5'
Self-contained clean water system, single bottle 1½ liter
Dual assistant's holder quad assemblies
Laminate work surface, 18" x 24"
Covered storage organizer with frame
Arm mounted tray holder
Adjustable height frame, 30" to 42"
Twin wheel hard floor casters
Electrical outlet/UL
External umbilical, 7'
Assistant's utility center with housing and cover
air pressure regulator with filter
master shut-off valve

ASSISTANT'S CART ONLY 5370

Laminate work surface, 18" x 24"
Covered storage organizer with frame
Arm mounted tray holder
Adjustable height frame, 30" to 42"
Twin wheel hard floor casters

CART	MODEL CHOICE	PRICE :	
Universal HVE in lieu of standard	1400-207-CS	\$ N/C	
Additional standard autoclavable HVE			
w/tubing, 5' & autoclavable oral dry cup (5380)	1400-113-CS	75	
Heated syringe conversion kit (1) per syringe (5380)	1107-450-CS	285	
Quick disconnect w/flow control 1/4" (for water) (5380)	0016-454-CS	90	
Quick disconnect w/flow control 3/8" (for air) (5380)	0016-456-CS	90	
Less covered storage organizer with frame	1110-350-CS	- 200	
Less Arm mounted tray holder	1110-908-CS	- 150	
Foot control support shelf	0023-665	160	
Twin wheel carpet casters	0010-401-CS	N/C	
Touchpad for 3900 chair (25 ft. Cable)	1700-081-1-CS	450	
Touchpad for 6300 chair (25 ft. Cable)	1700-082-1-CS	600	
Monitor assembly (monitor not included)	1300-025	350	
Solid work surface upgrade	0023-371-SS	500	
Special color laminate or solid work surface upgrade	0023-371-X / 0023-371-SSV	(call for price)	
Chrome accents (see page 6)	9000-998-CS	120	
Additional umbilical (per foot)	1115-998-CS	20	
TOTAL			



DESIGNER FRIENDLY™ SURFACE TREATMENTS (N/C) (see page 6 & 7)

Plastic finishes:	<input type="radio"/> Forest Grey	<input type="radio"/> Lemans (carbon fiber)	<input type="radio"/> Laser Leather (carbon fiber)	<input type="radio"/> Greywood (carbon fiber)
Powder coat paint finishes:	<input type="radio"/> Forest Grey	<input type="radio"/> Shadow	<input type="radio"/> Pearl	<input type="radio"/> Charcoal
	<input type="radio"/> Pewter	<input type="radio"/> Sage	<input type="radio"/> Bronze	<input type="radio"/> Arctic Silver

Work surface, specify choice (see page 132 for colors & pricing details) :

Shipping weight:

5380 100 lb / 46 kg

5370 80 lb / 37 kg



MODEL 5880
\$ 5250

STANDARD FEATURES

DUO SWING CART 5880

Standard IC Control Head
 automatic control for three handpieces
 asepsis 3-way air/water syringe w/tubing, 5'
 handpiece tubing, 4-hole Midwest, asepsis style, 5'
 pneumatic master control block w/diaphragm
 master on/off
 individual handpiece pressure adjustment
 individual water coolant adjustment
 non-retraction water coolant with on/off
 air coolant adjustment
 handpiece flush
 handpiece exhaust filter/oil collector
 wet/dry foot control

Central vacuum accessory package, swing mount
 arm mounted central vacuum canister
 w/disposable solids collector
 asepsis 3-way air/water syringe w/tubing, 5'
 autoclavable standard HVE lever valve w/tubing, 5'
 autoclavable saliva ejector lever valve w/tubing, 5'

Self-contained clean water system, single bottle 1½ liter

Dual assistant's holder quad assembly

Laminate work surface, 18" x 24"

Covered storage organizer with frame

Arm mounted tray holder

Adjustable height frame, 30" to 42"

Twin wheel hard floor casters

Electrical outlet/UL

External umbilical, 7'

Standard utility center with housing and cover
 air pressure regulator with filter
 master air shut-off valve

Lifetime warranty:
 handpiece control blocks, handpiece manifolds,
 diaphragms, water relay valves, needle control valves,
 toggle valves, shuttle valves, check valves

FACTORY OPTIONS

	PART NO	RETAIL	PRICE
DELIVERY SYSTEM	5880	\$ 5250	
Handpiece Illumination System			
one handpiece (5-hole), accommodates 1 add'l tubing1700-012-CS	265	
add'l handpiece illumination tubing (5-hole)0017-694-CS	220	
one handpiece (6-pin), accommodates 1 add'l tubing1700-017-CS	265	
add'l handpiece illumination tubing (6-pin)0017-994-CS	220	
(1) Time delay kit per HP illumination tubing0014-122	160	
Additional handpiece position, wet1100-189-CS	385	
Additional handpiece position, air drive only1100-190-CS	185	
Less handpiece position1700-099-CS	-100	
Universal HVE in lieu of standard1400-207-CS	N/C	
Additional standard autoclavable HVE			
w/tubing, 5' & autoclavable oral dry cup1400-113-CS	75	
Heated syringe conversion kit (1) per syringe1107-450-CS	285	
Quick disconnect w/flow control 1/4" (for water)0016-454-CS	90	
Quick disconnect w/flow control 3/8" (for air)0016-456-CS	90	
Less covered storage organizer with frame1110-350-CS	-200	
Less Arm mounted tray holder1110-908-CS	-150	
Foot control support shelf0023-665	160	
Twin wheel carpet casters0010-401-CS	N/C	
Touchpad for 3900 chair (25 ft. Cable)1700-081-I-CS	450	
Touchpad for 6300 chair (25 ft. Cable)1700-082-I-CS	600	
Chrome accents (see page 6)9000-998-CS	120	
Monitor assembly (monitor not included)1300-025	350	
Solid work surface upgrade0023-371-SS	500	
➡ Special color laminate or solid work surface upgrade ..	.0023-371-X / 0023-371-SSV	(call for price)	
Additional umbilical (per foot)1115-999-CS	30	
Bien-Air Optima MX INT electric handpiece controlBIEN-AIR	3995	
Bien-Air Optima MX INT dual electric handpiece controlBIEN-AIR-D	6375	
Satelec LED mini curing lightSATELEC-CL	1425	
Satelec SP Newtron piezo/LED piezo scalerSATELEC-S/SATELEC-S-LED	1730/2220	
Air-Techniques Polar intraoral cameraAIRTECH-C	4995	

TOTAL

DESIGNER FRIENDLY™ SURFACE TREATMENTS (N/C) (see page 6 & 7)

Plastic finishes:	<input type="radio"/> Forest Grey	<input type="radio"/> Lemans (carbon fiber)	<input type="radio"/> Laser Leather (carbon fiber)	<input type="radio"/> Greywood (carbon fiber)
Powder coat paint finishes:	<input type="radio"/> Forest Grey	<input type="radio"/> Shadow	<input type="radio"/> Pearl	<input type="radio"/> Charcoal
	<input type="radio"/> Pewter	<input type="radio"/> Sage	<input type="radio"/> Bronze	<input type="radio"/> Arctic Silver

Work surface, specify choice (see page 132 for colors & pricing details):

Shipping weight:
5880 105 lb / 48 kg

mobile carts



MODEL 7384
\$ 4235



MODEL 7374
\$ 3200

STANDARD FEATURES

ASSISTANT'S CART W/INSTRUMENTATION 7384

- Pneumatic work surface easy lift/close mechanism
- Central vacuum accessory package
 - canister w/disposable solids collector
 - asepsis 3-way air/water syringe w/tubing, 5'
 - autoclavable standard HVE lever valve w/tubing, 5'
 - autoclavable saliva ejector lever valve w/tubing, 5'
- Self contained clean water system, single bottle
 - 1½ liter w/quick disconnect bottle assembly
- Dual assistant's holder quad assemblies
- Solid work surface, 18" x 24"
- Covered storage organizer with frame
- Arm mounted tray holder
- Adjustable height frame, 24" x 46"
- Twin wheel hard floor casters
- External umbilical, 7'
- Assistant's utility center with housing and cover
 - air pressure regulator with filter
 - master shut-off valve

ASSISTANT'S CART ONLY 7374

- Solid work surface, 18" x 24"
- Covered storage organizer with frame
- Arm mounted tray holder
- Adjustable height frame, 24" x 46"
- Twin wheel hard floor casters

Shipping weight:
7384 119 lb / 54 kg
7374 55 lb / 25 kg

FACTORY OPTIONS

	PART NO	RETAIL	PRICE
CART	MODEL CHOICE		PRICE :
Universal HVE in lieu of standard	1400-207-CS	\$ N/C	
Additional universal autoclavable HVE w/tubing, 5' & autoclavable oral dry cup (7384)	1400-113-CS	75	
Heated syringe conversion kit (1) per syringe (7384)	1107-450-CS	285	
Quick disconnect w/flow control 1/4" (for water) (7384)	0016-454-CS	90	
Quick disconnect w/flow control 3/8" (for air) (7384)	0016-456-CS	90	
Less covered storage organizer with frame	1110-185-CS	- 200	
Less arm mounted tray holder	1110-908-CS	- 150	
Twin wheel carpet casters	0010-401-CS	N/C	
Touchpad for 3900 chair (25 ft. Cable)	1700-081-I-CS	450	
Touchpad for 6300 chair (25 ft. Cable)	1700-082-I-CS	600	
Monitor assembly (monitor not included)	1300-025	350	
Additional tray holder (limit 3)	1110-909-CS	300	
Standard utility center housing & cover (7381 & 7383)	1115-020	100	
Special color solid work surface upgrade	0023-776-SSV	(call for price)	
Additional umbilical (per foot)	1115-998-CS	20	
Satelec SP Newtron piezo/LED piezo scaler	SATELEC-S/SATELEC-S-LED	1730/2220	

TOTAL

DESIGNER FRIENDLY™ SURFACE TREATMENTS (N/C) (see page 6 & 7)

Plastic finishes:	<input type="radio"/> Forest Grey	<input type="radio"/> Lemans (carbon fiber)	<input type="radio"/> Laser Leather (carbon fiber)	<input type="radio"/> Greywood (carbon fiber)
Powder coat paint finishes:	<input type="radio"/> Forest Grey	<input type="radio"/> Shadow	<input type="radio"/> Pearl	<input type="radio"/> Charcoal
	<input type="radio"/> Pewter	<input type="radio"/> Sage	<input type="radio"/> Bronze	<input type="radio"/> Arctic Silver

Solid work surface, specify choice (see page 132 for colors & pricing details):

Shown with options:

- optional Touchpad
- Bien-Air electric handpiece
- Satelec curing light
- Air-Techniques camera



MODEL 7684
\$ 5735

STANDARD FEATURES

DUO SWING CART 7684

Automatic control for three handpieces
 asepsis 3-way air water syringe w/tubing, 5' handpiece tubing, 4-hole Midwest, asepsis style, 5' pneumatic master control block w/diaphragm master on/off
 individual handpiece pressure adjustment
 individual water coolant adjustment
 non-retraction water coolant with on/off air coolant adjustment
 handpiece flush
 handpiece exhaust filter/oil collector
 wet/dry foot control
 Dual assistant's holder quad assemblies
 "Burr Buddy" sliding tray holder and covered Zirc tray
 Pneumatic work surface easy lift/close mechanism
 Central vacuum accessory package
 canister w/disposable solids collector
 asepsis 3-way air/water syringe w/tubing, 5' autoclavable standard HVE lever valve w/tubing, 5' autoclavable saliva ejector lever valve w/tubing, 5'
 Self contained clean water system, single bottle 1½ liter w/quick disconnect bottle assembly
 Solid work surface, 18" x 24"
 Covered storage organizer with frame
 Arm mounted tray holder
 Adjustable height frame, 24" x 46"
 Twin wheel hard floor casters
 External umbilical, 7'
 Standard utility center with housing and cover air pressure regulator with filter master air shut-off valve
 Lifetime warranty under hood:
 handpiece control blocks, handpiece manifolds, diaphragms, water relay valves, needle control valves, toggle valves, shuttle valves, check valves

FACTORY OPTIONS

	PART NO	RETAIL	PRICE
CART	7684	\$ 5735	
Handpiece Illumination System			
one handpiece (5-hole), accommodates 1 add'l tubing	1700-012-CS	265	
add'l handpiece illumination tubing (5-hole)	0017-694-CS	220	
one handpiece (6-pin), accommodates 1 add'l tubing	1700-017-CS	265	
add'l handpiece illumination tubing (6-pin)	0017-994-CS	220	
(I) Time delay kit per HP illumination tubing	0014-122	160	
Additional handpiece position, wet	1100-189-CS	385	
Additional handpiece position, air drive only	1100-190-CS	185	
Less handpiece position	1700-099-CS	-100	
Universal HVE in lieu of standard	1400-207-CS	N/C	
Additional standard autoclavable HVE			
w/tubing, 5' & autoclavable oral dry cup	1400-113-CS	75	
Heated syringe conversion kit (I) per syringe	1107-450-CS	285	
Quick disconnect w/flow control 1/4" (for water)	0016-454-CS	90	
Quick disconnect w/flow control 3/8" (for air)	0016-456-CS	90	
Less covered storage organizer with frame	1110-185-CS	-200	
Less Arm mounted tray holder	1110-908-CS	-150	
Twin wheel carpet casters	0010-401-CS	N/C	
Foot control support shelf	0023-665	160	
Touchpad for 3900 chair (shown on 7681) (25 ft. Cable)	1700-081-1-CS	450	
Touchpad for 6300 chair (25 ft. Cable)	1700-082-1-CS	600	
Monitor assembly (monitor not included)	1300-025	350	
Additional tray holder (limit 3 add'l)	1110-909-CS	300	
➡ Special color solid work surface upgrade	0023-776-SSV	(call for price)	
Additional umbilical (per foot)	1115-999-CS	30	
Bien-Air Optima MX INT electric handpiece control	BIEN-AIR	3995	
Bien-Air Optima MX INT dual electric handpiece control	BIEN-AIR-D	6375	
Satelec LED mini curing light	SATELEC-CL	1425	
Satelec SP Newtron piezo/LED piezo scaler	SATELEC-S/SATELEC-S-LED	1730/2220	
Air-Techniques Polaris intraoral camera	AIRTECH-C	4995	

TOTAL

DESIGNER FRIENDLY™ SURFACE TREATMENTS (N/C) (see page 6 & 7)

Plastic finishes:	<input type="radio"/> Forest Grey	<input type="radio"/> Lemans (carbon fiber)	<input type="radio"/> Laser Leather (carbon fiber)	<input type="radio"/> Greywood (carbon fiber)
Powder coat paint finishes:	<input type="radio"/> Forest Grey	<input type="radio"/> Shadow	<input type="radio"/> Pearl	<input type="radio"/> Charcoal
	<input type="radio"/> Pewter	<input type="radio"/> Sage	<input type="radio"/> Bronze	<input type="radio"/> Arctic Silver

Solid work surface, specify choice (see page 132 for colors & pricing details):

Shipping weight:
7684 119 lb / 54 kg

carts

mobile carts



MODEL 5200
\$ 3220



MODEL 5400
\$ 3665

STANDARD FEATURES

FACTORY OPTIONS

PART NO

RETAIL

PRICE

DOCTOR CART 5200

Standard IC Control Head

- automatic control for three handpieces
- asepsis 3-way air/water syringe w/tubing, 5' handpiece tubing, 4-hole Midwest, asepsis style, 5' pneumatic master control block w/diaphragm master on/off
- individual handpiece pressure adjustment
- individual water coolant adjustment
- non-retraction water coolant with on/off air coolant adjustment
- handpiece flush
- handpiece exhaust filter/oil collector
- self contained clean water system, single bottle 1½ liter
- wet/dry foot control

Adjustable height frame, 26" to 35"

Twin wheel hard floor casters

External 7' umbilical

Standard utility center with housing and cover

- air pressure regulator with filter
- master air shut-off valve

Lifetime warranty:

- handpiece control blocks, handpiece manifolds, diaphragms, water relay valves, needle control valves, toggle valves, shuttle valves, check valves

DUO CART 5400

Same as Unit above, with additional features:

- Central vacuum canister w/disposable solids collector
- autoclavable standard HVE lever valve w/tubing, 5' autoclavable saliva ejector lever valve w/tubing, 5'

CART	MODEL CHOICE	PRICE :	
Handpiece Illumination System			
one handpiece (5-hole), accommodates 1 add'l tubing	1700-012-CS	\$ 265	
add'l handpiece illumination tubing (5-hole)	0017-694-CS	220	
one handpiece (6-pin), accommodates 1 add'l tubing	1700-017-CS	265	
add'l handpiece illumination tubing (6-pin)	0017-994-CS	220	
(1) Time delay kit per HP illumination tubing	0014-122	160	
Additional handpiece position, wet	1100-189-CS	385	
Additional handpiece position, air drive only	1100-190-CS	185	
Less handpiece position	1700-099-CS	-100	
Universal HVE in lieu of standard	1400-207-CS	N/C	
Additional standard autoclavable HVE			
w/tubing, 5' & autoclavable oral dry cup (5400)	1400-113-CS	75	
Heated syringe conversion kit (1) per syringe	1107-450-CS	285	
Quick disconnect w/flow control 1/4" (for water)	0016-454-CS	90	
or Quick disconnect w/flow control 3/8" (for air)	0016-456-CS	90	
Foot control support shelf, clamps to 2" base	0023-665	160	
Touchpad for 3900 chair (25 ft. Cable)	1700-081-I-CS	450	
Touchpad for 6300 chair (25 ft. Cable)	1700-082-I-CS	600	
Twin wheel carpet floor casters	0010-401-CS	N/C	
Utility shelf assembly, 12" x 12"	1110-655	250	
Less standard utility center housing & cover	1115-020-CS	-50	
Deluxe utility center in lieu of standard	1115-000-CS	165	
Contoured utility center housing & cover in lieu of standard	3900-001-CS	265	
Additional umbilical (per foot)	1115-999-CS	30	
Chrome accents (see page 6)	9000-998-CS	120	
Bien-Air Optima MX INT electric handpiece control	BIEN-AIR	3995	
Bien-Air Optima MX INT dual electric handpiece control	BIEN-AIR-D	6375	
Satelec LED mini curing light	SATELEC-CL	1425	
Satelec SP Newtron piezo/LED piezo scaler	SATELEC-S/S-LED	1730/2220	
Air-Techniques Polarix intraoral camera	AIRTECH-C	4995	
TOTAL			



DESIGNER FRIENDLY™ SURFACE TREATMENTS (N/C) (see page 6 & 7)

Plastic finishes:	<input type="radio"/> Forest Grey	<input type="radio"/> Lemans (carbon fiber)	<input type="radio"/> Laser Leather (carbon fiber)	<input type="radio"/> Greywood (carbon fiber)
Powder coat paint finishes:	<input type="radio"/> Forest Grey	<input type="radio"/> Shadow	<input type="radio"/> Pearl	<input type="radio"/> Charcoal
	<input type="radio"/> Pewter	<input type="radio"/> Sage	<input type="radio"/> Bronze	<input type="radio"/> Arctic Silver

Shipping weight:

5200 50 lb / 23 kg

5400 55 lb / 25 kg



MODEL 5910
\$ 1975



MODEL 5915
\$ 2330

STANDARD FEATURES

DOCTOR CART 5910

Value Control Head

- automatic control for three handpieces
- asepsis 3-way air/water syringe w/tubing, 5' handpiece tubing, 4-hole Midwest, asepsis style, 5' individual pinch valve control blocks
- master on/off
- individual handpiece pressure adjustment
- individual water coolant adjustment
- non-retraction water coolant with on/off
- air coolant adjustment
- handpiece flush
- handpiece exhaust filter/oil collector
- self contained clean water system, single bottle 1½ liter
- wet/dry foot control

Adjustable height frame, 26" to 35"

Twin wheel hard floor casters

External umbilical, 12' with ¼" male QD for air supply

Air pressure regulator with filter inside the head

Lifetime warranty:

- handpiece control blocks, handpiece manifolds, diaphragms, water relay valves, needle control valves, toggle valves, shuttle valves, check valves

DUO CART 5915

Same as Unit above, with additional features:

- Central vacuum canister w/disposable solids collector
- autoclavable standard HVE lever valve w/tubing, 5'
- autoclavable saliva ejector lever valve w/tubing, 5'

FACTORY OPTIONS

	PART NO	RETAIL	PRICE
CART	MODEL CHOICE		PRICE: _____
Handpiece Illumination System			
one handpiece (5-hole), accommodates 1 add'l tubing	1700-012-CS	\$ 265	_____
add'l handpiece illumination tubing (5-hole)	0017-694-CS	220	_____
one handpiece (6-pin), accommodates 1 add'l tubing	1700-017-CS	265	_____
add'l handpiece illumination tubing (6-pin)	0017-994-CS	220	_____
(1) Time delay kit per HP illumination tubing	0014-122	160	_____
Additional handpiece position, wet	1100-189-CS	385	_____
Additional handpiece position, air drive only	1100-190-CS	185	_____
Less handpiece position	1700-099-CS	-100	_____
Universal HVE in lieu of standard	1400-207-CS	N/C	_____
Additional standard autoclavable HVE			
w/tubing, 5' & autoclavable oral dry cup (5915)	1400-113-CS	75	_____
Heated syringe conversion kit (1) per syringe	1107-450-CS	285	_____
Quick disconnect with flow control, 1/4" (specify air or water)	0016-455-CS	90	_____
Foot control support shelf, clamps to 2" base	0023-665	160	_____
Touchpad for 3900 chair (25 ft. Cable)	1700-081-1-CS	450	_____
Touchpad for 6300 chair (25 ft. Cable)	1700-082-1-CS	600	_____
Twin wheel carpet casters	0010-401-CS	N/C	_____
Utility shelf assembly, 12" x 12"	1110-655	250	_____
⇒ Standard utility center housing & cover only	1115-020	100	_____
Chrome accents (see page 6)	9000-998-CS	120	_____
Bien-Air Optima MX INT electric handpiece controlBIEN-AIR	3995	_____
Bien-Air Optima MX INT dual electric handpiece controlBIEN-AIR-D	6375	_____
Satelec LED mini curing lightSATELEC-CL	1425	_____
Satelec SP Newtron piezo/LED piezo scalerSATELEC-S/SATELEC-S-LED	1730/2220	_____
Air-Techniques Polaris intraoral cameraAIRTECH-C	4995	_____
TOTAL			_____

DESIGNER FRIENDLY™ SURFACE TREATMENTS (N/C) (see page 6 & 7)

Plastic finishes:	<input type="radio"/> Forest Grey	<input type="radio"/> Lemans (carbon fiber)	<input type="radio"/> Laser Leather (carbon fiber)	<input type="radio"/> Greywood (carbon fiber)
Powder coat paint finishes:	<input type="radio"/> Forest Grey	<input type="radio"/> Shadow	<input type="radio"/> Pearl	<input type="radio"/> Charcoal
	<input type="radio"/> Pewter	<input type="radio"/> Sage	<input type="radio"/> Bronze	<input type="radio"/> Arctic Silver

Shipping weight:

5910 35 lb / 16 kg

5915 40 lb / 18 kg

self-contained mobile carts



MODEL 5751
\$ 3175



MODEL 5750, with compressor
\$ 5800

STANDARD FEATURES

FACTORY OPTIONS

PART NO

RETAIL

PRICE

DUO without COMPRESSOR 5751 DUO with COMPRESSOR 5750

- Automatic control for three handpieces
- asepsis 3-way air/water syringe w/tubing, 5'
- handpiece tubing, 4-hole Midwest, asepsis style, 5'
- pneumatic master control block w/diaphragm
- master on/off
- individual handpiece pressure adjustment
- individual water coolant adjustment
- non-retraction water coolant with on/off
- air coolant adjustment
- handpiece flush
- handpiece exhaust filter/oil collector
- self contained clean water system,
- single bottle 1½ liter
- wet/dry foot control
- Air-operated vacuum package with collection jar
- automatic autoclavable standard HVE lever valve
- w/tubing, 5'
- automatic autoclavable saliva ejector lever valve
- w/tubing, 5'
- Adjustable height frame, 26" to 35"
- Twin wheel hard floor casters
- External air line, 25' with ¼" male QD for air supply
- (for remote compressor or nitrogen supply, existing
- compressor, etc.)
- Air compressor, 110V (5750)
- Lifetime warranty:
- handpiece control blocks, handpiece manifolds,
- diaphragms, water relay valves, needle control valves,
- toggle valves, shuttle valves, check valves

CART	MODEL CHOICE _____	PRICE :	_____
Handpiece Illumination System			
one handpiece (5-hole), accommodates 1 add'l tubing1700-012-CS	\$ 265	_____
add'l handpiece illumination tubing (5-hole)0017-694-CS	220	_____
one handpiece (6-pin), accommodates 1 add'l tubing1700-017-CS	265	_____
add'l handpiece illumination tubing (6-pin)0017-994-CS	220	_____
(1) Time delay kit per HP illumination tubing0014-122	160	_____
Heated syringe conversion kit (1) per syringe1107-450-CS	285	_____
Quick disconnect w/flow control 1/4" (for water)0016-454-CS	90	_____
or Quick disconnect w/flow control 3/8" (for air)0016-456-CS	90	_____
Less handpiece position1700-099-CS	- 100	_____
Foot control support shelf, clamps to 2" base0023-665	160	_____
Twin wheel carpet casters0010-401-CS	N/C	_____
Utility shelf assembly, 12" x 12"1110-655	250	_____
Chrome accents (see page 6)9000-998-CS	120	_____
Bien-Air Optima MX INT electric handpiece control	BIEN-AIR	3995	_____
Bien-Air Optima MX INT dual electric handpiece control	BIEN-AIR-D	6375	_____
Satelec LED mini curing light	SATELEC-CL	1425	_____
Satelec SP Newtron piezo/LED piezo scaler	SATELEC-S/SATELEC-S-LED	1730/2220	_____
Air-Techniques Polarix intraoral camera	AIRTECH-C	4995	_____

TOTAL



DESIGNER FRIENDLY™ SURFACE TREATMENTS (N/C) (see page 6 & 7)

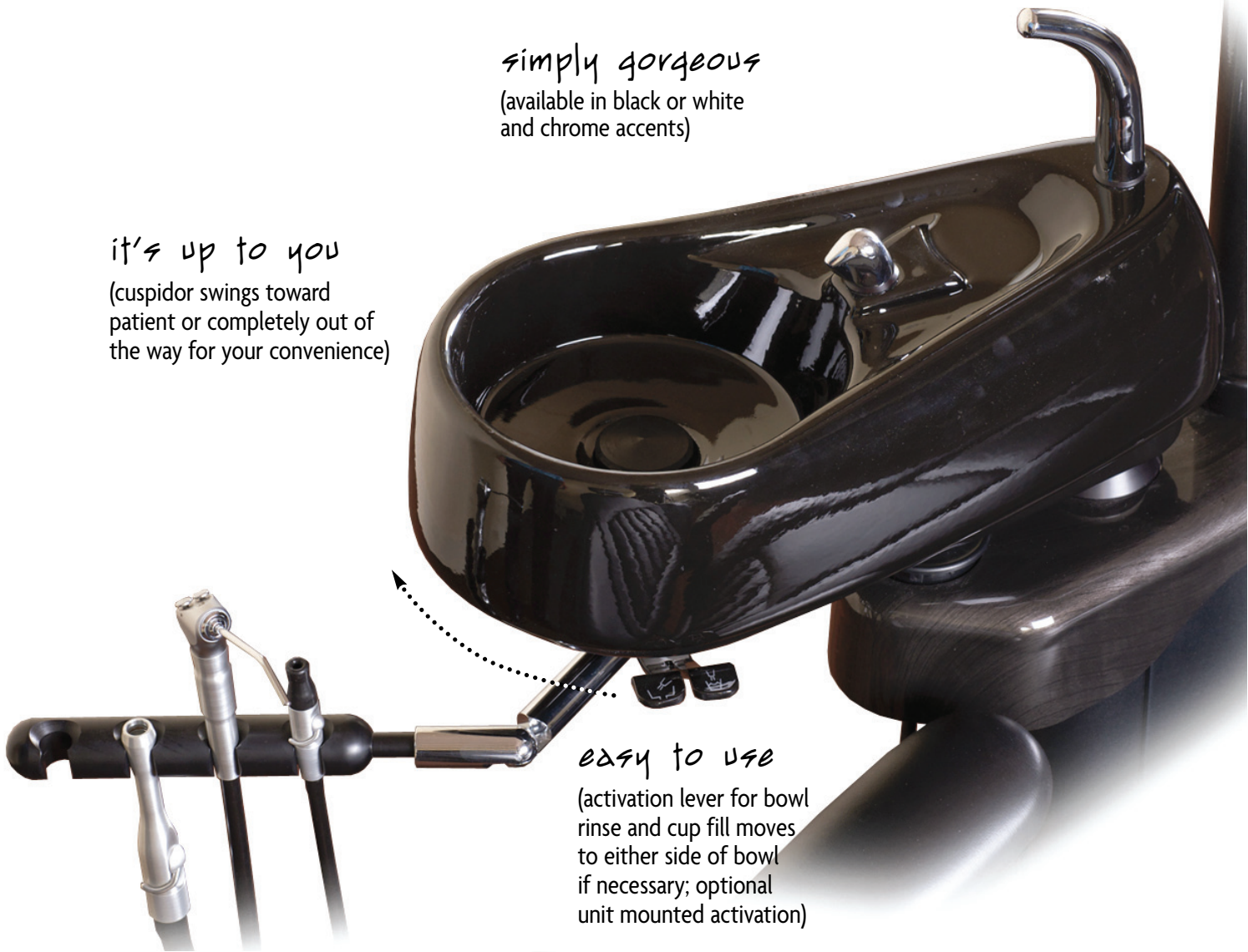
Plastic finishes:	<input type="radio"/> Forest Grey	<input type="radio"/> Lemans (carbon fiber)	<input type="radio"/> Laser Leather (carbon fiber)	<input type="radio"/> Greywood (carbon fiber)
Powder coat paint finishes:	<input type="radio"/> Forest Grey	<input type="radio"/> Shadow	<input type="radio"/> Pearl	<input type="radio"/> Charcoal
	<input type="radio"/> Pewter	<input type="radio"/> Sage	<input type="radio"/> Bronze	<input type="radio"/> Arctic Silver

Shipping weight:
5751/5750 55 lb / 25 kg
Compressor 64 lb / 29kg

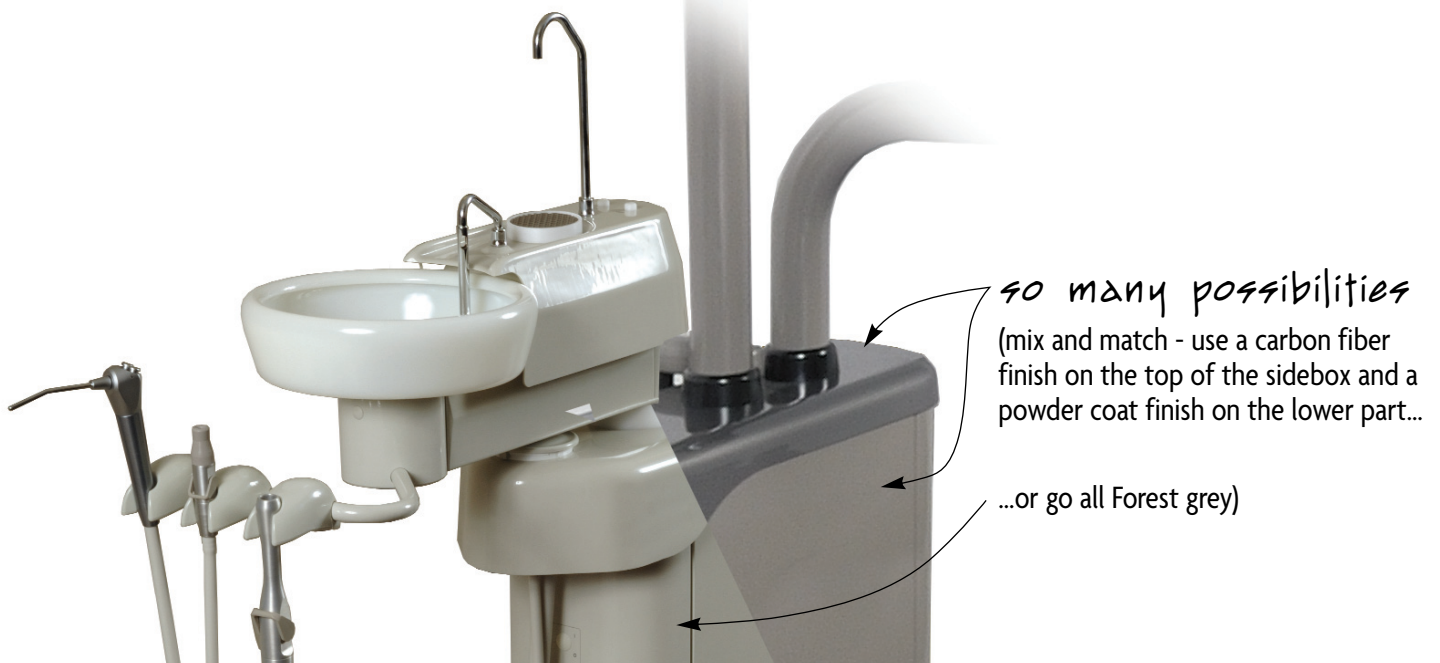
affordable excellence details

simply gorgeous
(available in black or white
and chrome accents)

it's up to you
(cuspidor swings toward
patient or completely out of
the way for your convenience)



easy to use
(activation lever for bowl
rinse and cup fill moves
to either side of bowl
if necessary; optional
unit mounted activation)



so many possibilities
(mix and match - use a carbon fiber
finish on the top of the sidebox and a
powder coat finish on the lower part...

...or go all Forest grey)



simple to use
(easy push button activation)

move it around
(pivot motion to swing toward patient
or move out of the way)

jazz it up
(add one of our Designer
Friendly carbon fiber finishes
to create a beautiful looking
cuspidor that's easy on the
pocketbook)

keep it clean
(removable 8-inch glass
bowl for easy cleaning)

DESIGNER FRIENDLY2

DELIVERY SYSTEMS WITHOUT CHAIR.....14

PIVOT CHAIR MOUNT PACKAGES20

FIXED CHAIR MOUNT
WITH SIDEBOX PACKAGES36

FIXED CHAIR MOUNT
WITHOUT SIDEBOX PACKAGES.....52

CHAIRS + STOOLS68

LIGHTS + MONITOR MOUNT ASSEMBLIES74

REAR + SIDE DELIVERY SYSTEMS82

CARTS96

CUSPIDORS.....106
 Fixed chair sidebox mount108
 Fixed chair post mount110

OPTIONAL DELIVERY SYSTEMS112

FACTORY OPTIONS + PARTS.....120

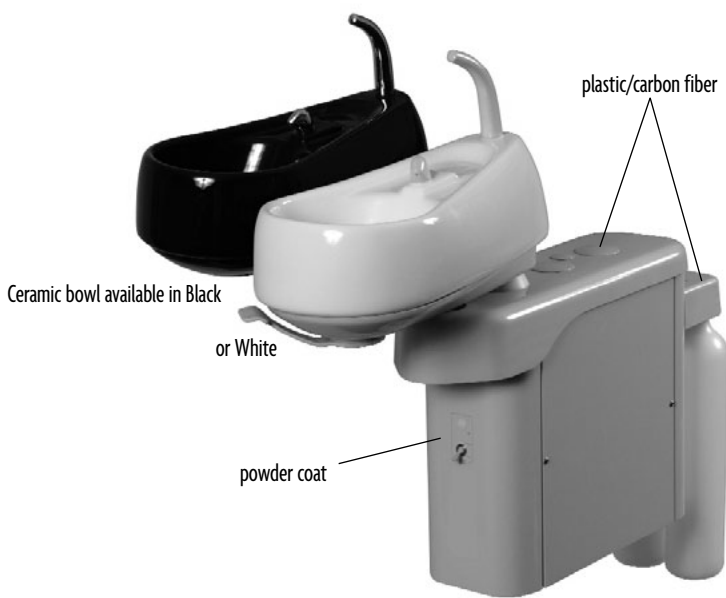
GENERAL INFORMATION.....132

SHOWN CLOCKWISE, TOP:

- 1690 DELUXE | BLACK + UNIVERSAL HVE, CHROME OPTION
- 1630 BASIC | LASER LEATHER CARBON FIBER
- 1650 BASIC | SIDEBOX

cuspidors

fixed chair sidebox mount



DELUXE MODEL 1695
\$ 3540



DELUXE MODEL 1690 w/vacuum and holder bar
\$ 3990

STANDARD FEATURES

DELUXE WITH SIDEBOX 1695

Gravity drain cuspidor with swing away arm
 timed bowl rinse
 timed cup fill
 one-piece ceramic bowl w/touch lever water activator
 Sidebox with self-contained clean water system
 dual bottles, 1½ liters each
 electrical outlet/UL
 Deluxe utility center
 air pressure regulator with filter
 master air and water shut-off valve
 External 5' umbilical
(does not include post or chair adapter)

DELUXE WITH SIDEBOX 1690

Same as 1695 above, with additional features:

Swivel assistant's quad holder bar
 Central vacuum accessory package
 central vacuum canister w/disposable solids collector
 asepsis 3-way air/water syringe w/tubing, 5'
 autoclavable standard HVE lever valve w/tubing, 5'
 autoclavable saliva ejector lever valve w/tubing, 5'
(does not include post or chair adapter)

* All utility centers include:
 housing and cover
 air pressure regulator with filter
 master air and water shut-off valve

Shipping weight:
 1695 60 lb / 28 kg
 1690 65 lb / 30 kg

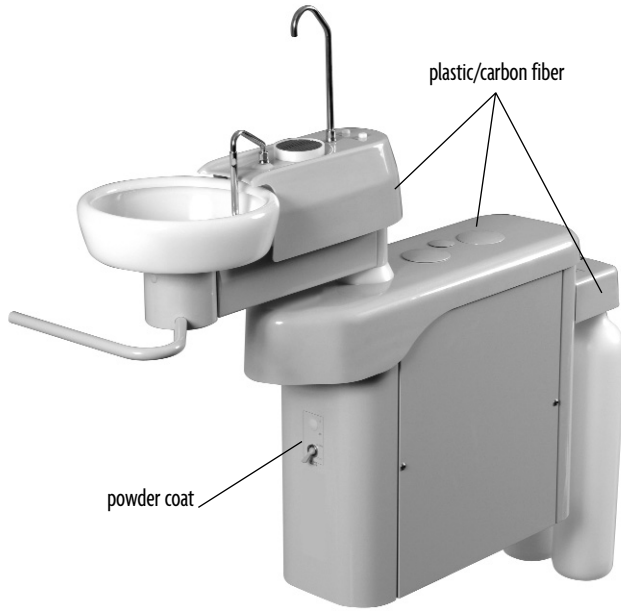
FACTORY OPTIONS

	PART NO	RETAIL	PRICE
CUSPIDOR	MODEL CHOICE		PRICE :
Vacuum drain cuspidor	1400-115	\$ 375	
Universal HVE in lieu of standard	1400-207-CS	N/C	
Additional autoclavable standard HVE w/tubing, 5' & autoclavable oral dry cup (1690)	1400-113-CS	75	
Quick disconnect w/flow control 1/4" (for water)	0016-454-CS	90	
Quick disconnect w/flow control 3/8" (for air)	0016-456-CS	90	
Self-contained clean water system, single bottle 1½ liter in lieu of dual	1700-201-CS	-100	
Less self-contained clean water system, dual	1700-221-CS	-200	
Electric vacuum activation (1690)	1400-199-CS	200	
Durr amalgam separator ready (separator not included)	1400-270-CS	200	
Telescoping arm in lieu of holder assembly (1690)	1110-394-CS	360	
Standard utility center * in lieu of deluxe	1115-001-CS	-150	
Contoured utility center * in lieu of deluxe	3900-001-1-CS	100	
Less deluxe utility center, complete	1115-005-CS	-300	
Additional umbilical (per foot)	1115-999-CS	30	
Chrome accents (see page 6)	9000-999-CS	120	
⇒ MOUNTING POSTS 2" diameter:			
Sidebox, 15"	1110-628	150	
⇒ LIGHT POSTS: 44" 2" diameter, sidebox option, includes light bushing			
Forest model	1110-900	180	
Pelton & Crane	1110-890	180	

TOTAL

⇒ DESIGNER FRIENDLY™ SURFACE TREATMENTS (N/C) (see page 6 & 7)

Ceramic Cuspidor Bowl	<input type="radio"/> White	<input type="radio"/> Black		
Sidebox Finishes: Plastic	<input type="radio"/> Forest Grey	<input type="radio"/> Lemans (carbon fiber)	<input type="radio"/> Laser Leather (carbon fiber)	<input type="radio"/> Greywood (carbon fiber)
Powder coat paint	<input type="radio"/> Forest Grey	<input type="radio"/> Shadow	<input type="radio"/> Pearl	<input type="radio"/> Charcoal
	<input type="radio"/> Pewter	<input type="radio"/> Sage	<input type="radio"/> Bronze	<input type="radio"/> Arctic Silver



BASIC MODEL 1655
\$ 2790



BASIC MODEL 1650 w/vacuum and holder bar
\$ 3240

STANDARD FEATURES

BASIC WITH SIDEBOX 1655

- Gravity drain cuspidor with swing away arm
- timed bowl rinse
- manual cup fill
- removable glass bowl, 8" diameter
- Sidebox with self-contained clean water system
- dual bottles, 1½ liters each
- electrical outlet/UL
- Deluxe utility center
- air pressure regulator with filter
- master air and water shut-off valve
- External 5' umbilical
- (does not include post or chair adapter)*

BASIC WITH SIDEBOX 1650

Same as 1655 above, with additional features:

- Individual assistant's instrumentation holders
- Central vacuum accessory package
- central vacuum canister w/disposable solids collector
- asepsis 3-way air/water syringe w/tubing, 5'
- autoclavable standard HVE lever valve w/tubing, 5'
- autoclavable saliva ejector lever valve w/tubing, 5'
- (does not include post or chair adapter)*

* All utility centers include:
housing and cover
air pressure regulator with filter
master air and water shut-off valve

Shipping weight:
1655 50 lb / 23 kg
1650 55 lb / 25 kg

FACTORY OPTIONS

CUSPIDOR	MODEL CHOICE	PRICE :	_____
Vacuum drain cuspidor1400-115	\$ 375	_____
Automatic cup fill1700-055-CS	175	_____
Universal HVE in lieu of standard1400-207-CS	N/C	_____
Additional autoclavable standard HVE			
w/tubing, 5' & autoclavable oral dry cup (1650)1400-113-CS	75	_____
Quick disconnect w/flow control 1/4" (for water)0016-454-CS	90	_____
Quick disconnect w/flow control 3/8" (for air)0016-456-CS	90	_____
Self-contained clean water system,			
single bottle 1½ liter in lieu of dual1700-201-CS	- 100	_____
Less self-contained clean water system, dual1700-221-CS	- 200	_____
Electric vacuum activation (1655)1400-199-CS	200	_____
Durr amalgam separator ready (separator not included)1400-270-CS	200	_____
Telescoping arm in lieu of holder assembly (1650)1110-394-CS	360	_____
Standard utility center * in lieu of deluxe1115-001-CS	- 150	_____
Contoured utility center * in lieu of deluxe3900-001-I-CS	100	_____
Less deluxe utility center, complete1115-005-CS	- 300	_____
Chrome accents (see page 6)9000-999-CS	120	_____
Additional umbilical (per foot)1115-999-CS	30	_____
➤ MOUNTING POSTS 2" diameter:			
Sidebox, 15"1110-628	150	_____
➤ LIGHT POSTS: 44" 2" diameter, sidebox option, includes light bushing			
Forest1110-900	180	_____
Pelton & Crane1110-890	180	_____

TOTAL

➤ DESIGNER FRIENDLY™ SURFACE TREATMENTS (N/C) *(see page 6 & 7)*

Sidebox Finishes:	Plastic	<input type="radio"/> Forest Grey	<input type="radio"/> Lemans (carbon fiber)	<input type="radio"/> Laser Leather (carbon fiber)	<input type="radio"/> Greywood (carbon fiber)
Powder coat paint	<input type="radio"/> Forest Grey	<input type="radio"/> Shadow	<input type="radio"/> Pearl	<input type="radio"/> Bronze	<input type="radio"/> Charcoal
	<input type="radio"/> Pewter	<input type="radio"/> Sage	<input type="radio"/> Arctic Silver		

cuspidors

fixed chair post mount



DELUXE MODEL 1570
\$ 1755



DELUXE MODEL 1575 w/vacuum and holder bar
\$ 2145

STANDARD FEATURES

DELUXE 1570

Gravity drain cuspidor with swing away arm
timed bowl rinse
timed cup fill
one-piece ceramic bowl w/touch lever water activator
post mount adapter, 2"
External 5' umbilical

☛ (does not include post or chair adapter)

DELUXE 1575

Same as 1570 above, with additional features:

Swivel assistant's quad holder bar
Central vacuum accessory package
central vacuum canister w/disposable solids collector
asepsis 3-way air/water syringe w/tubing, 5'
autoclavable standard HVE lever valve w/tubing, 5'
autoclavable saliva ejector lever valve w/tubing, 5'

☛ (does not include post or chair adapter)

FACTORY OPTIONS

	PART NO	RETAIL	PRICE
CUSPIDOR	MODEL CHOICE		PRICE :
Vacuum drain cuspidor1400-115	\$ 375	
Self-contained clean water system, single bottle 1½ liter1700-210-CS	200	
Universal HVE in lieu of standard1400-207-CS	N/C	
Additional autoclavable standard HVE			
w/tubing, 5' & autoclavable oral dry cup (1575)1400-113-CS	75	
Standard utility center *1115-001	425	
Deluxe utility center *1115-005	575	
Contoured utility center *3900-002	675	
Additional umbilical (per foot)1115-999-CS	30	
Chrome accents (see page 6)9000-999-CS	120	
☛ MOUNTING POSTS 2" diameter:			
Control post with cap, 18"1110-487	100	
☛ LIGHT POSTS: 44" 2" diameter, includes light bushing			
Forest model1110-794	180	
Pelton & Crane1110-785	180	

TOTAL

* All utility centers include:
housing and cover
air pressure regulator with filter
master air and water shut-off valve

☛ DESIGNER FRIENDLY™ SURFACE TREATMENTS (N/C) (see page 6 & 7)

Ceramic Cuspidor Bowl	<input type="radio"/> White	<input type="radio"/> Black		
Finishes:	<input type="radio"/> Plastic	<input type="radio"/> Forest Grey	<input type="radio"/> Lemans (carbon fiber)	<input type="radio"/> Laser Leather (carbon fiber)
	<input type="radio"/> Powder coat paint	<input type="radio"/> Forest Grey	<input type="radio"/> Shadow	<input type="radio"/> Pearl
		<input type="radio"/> Pewter	<input type="radio"/> Sage	<input type="radio"/> Bronze
				<input type="radio"/> Greywood (carbon fiber)
				<input type="radio"/> Charcoal
				<input type="radio"/> Arctic Silver

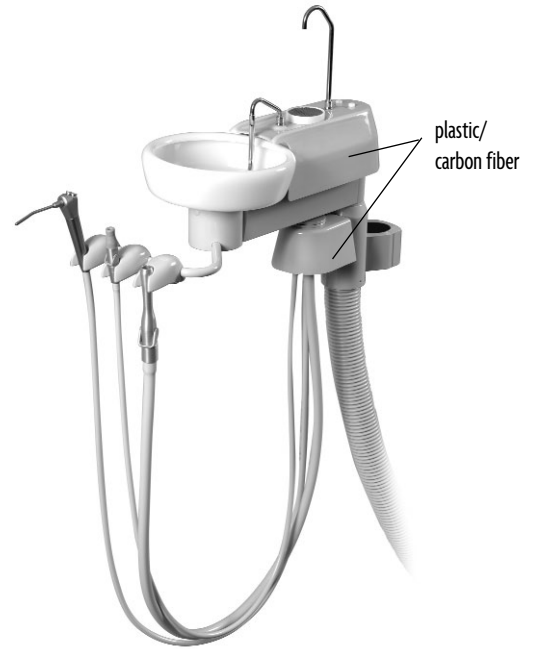
Shipping weight:

1570 28 lb / 13 kg

1575 30 lb / 14 kg



BASIC MODEL 1630
\$ 1005



BASIC MODEL 1635 w/vacuum and holder bar
\$ 1395

STANDARD FEATURES

BASIC 1630

Gravity drain cuspidor with swing away arm
timed bowl rinse
manual cup fill
removable glass bowl, 8" diameter
Post mount adapter, 2"
External 5' umbilical

➤ (does not include post or chair adapter)

BASIC 1635

Same as 1630 above, with additional features:

Individual assistant's instrumentation holders
Central vacuum accessory package
central vacuum canister w/disposable solids collector
asepsis 3-way air/water syringe w/tubing, 5'
autoclavable standard HVE lever valve w/tubing, 5'
autoclavable saliva ejector lever valve w/tubing, 5'

➤ (does not include post or chair adapter)

FACTORY OPTIONS

	PART NO	RETAIL	PRICE
CUSPIDOR MODEL CHOICE _____		PRICE :	_____
Vacuum drain cuspidor	1400-115	\$ 375	_____
Automatic cup fill	1700-055-CS	175	_____
Self-contained clean water system, single bottle 1½ liter	1700-210-CS	200	_____
Universal HVE in lieu of standard	1400-207-CS	N/C	_____
Additional autoclavable standard HVE			
w/tubing, 5' & autoclavable oral dry cup (1575)	1400-113-CS	75	_____
Quick disconnect with flow control, 1/4" (specify air or water)	0016-455-CS	90	_____
Standard utility center *	1115-001	425	_____
Deluxe utility center *	1115-005	575	_____
Contoured utility center *	3900-002	675	_____
Additional umbilical (per foot)	1115-999-CS	30	_____
Chrome accents (see page 6)	9000-999-CS	120	_____
➤ MOUNTING POSTS 2" diameter:			
Control post with cap, 18"	1110-487	100	_____
➤ LIGHT POSTS: 44" 2" diameter, includes light bushing			
Forest model	1110-794	180	_____
Pelton & Crane	1110-785	180	_____

TOTAL _____

* All utility centers include:
housing and cover
air pressure regulator with filter
master air and water shut-off valve

➤ DESIGNER FRIENDLY™ SURFACE TREATMENTS (N/C) (see page 6 & 7)

Finishes:	Plastic	Forest Grey	Lemans (carbon fiber)	Laser Leather (carbon fiber)	Greywood (carbon fiber)
	<input type="radio"/>	<input type="radio"/>	<input type="radio"/>	<input type="radio"/>	<input type="radio"/>
Powder coat paint	<input type="radio"/>	Forest Grey	Shadow	Pearl	Charcoal
	<input type="radio"/>	Pewter	Sage	Bronze	Arctic Silver

Shipping weight:
1630 17 lb / 8 kg
1635 20 lb / 9 kg

affordable excellence details



a hygienist's dream
(assistant's delivery with
optional wet or dry handpiece)



3 carbon fiber looks
(standard)

*we still have your solution
for custom cabinetry*

(minimal space requirement, cabinet or drawer
mount, up to 4 handpieces)



need a creative solution?

(if you can't find it in our catalog,
we'll make it for you)



*maybe all
you need*

(2-3 handpiece; one 3-way
air/water syringe; small
footprint)

DESIGNER FRIENDLY	2
DELIVERY SYSTEMS WITHOUT CHAIR.....	14
PIVOT CHAIR MOUNT PACKAGES	20
FIXED CHAIR MOUNT WITH SIDEBOX PACKAGES	36
FIXED CHAIR MOUNT WITHOUT SIDEBOX PACKAGES.....	52
CHAIRS + STOOLS	68
LIGHTS + MONITOR MOUNT ASSEMBLIES	74
REAR + SIDE DELIVERY SYSTEMS	82
CARTS	96
CUSPIDORS.....	106
OPTIONAL DELIVERY SYSTEMS	112
Panel mounts.....	114
Compact controls.....	116
Portable units.....	117
Assistant's instrumentation.....	118
FACTORY OPTIONS + PARTS.....	120
GENERAL INFORMATION.....	132

SHOWN CLOCKWISE, TOP RIGHT:

2500 PANEL MOUNT
MT610Ts | TOP SHELF MOUNT
1090 ASSISTANT'S INSTRUMENTATION
WET/DRY HANDPIECE OPTION
TRAY ASSEMBLY OPTION
UNIVERSAL HVE

optional delivery systems

panel mounts



MODEL 2500
\$ 2015



MODEL 2510
\$ 1440

STANDARD FEATURES

FACTORY OPTIONS

PART NO

RETAIL

PRICE

DOCTOR CONTROL 2500

Automatic control for three handpieces
 asepsis 3-way air/water syringe w/tubing, 5'
 handpiece tubing, 4-hole Midwest, asepsis style, 5'
 pneumatic master control block w/diaphragm
 master on/off
 individual handpiece pressure adjustment
 individual water coolant adjustment
 non-retraction water coolant with on/off
 air coolant adjustment
 self contained clean water system,
 single bottle 1½ liter
 wet/dry foot control
 Remote mount holder assembly with control tubing, 6'
 External 6' umbilical
 Standard utility center without housing & cover
 air pressure regulator with filter
 master air shut-off valve
 Lifetime warranty:
 handpiece control blocks, handpiece manifolds,
 diaphragms, water relay valves, needle control valves,
 toggle valves, shuttle valves, check valves

DOCTOR CONTROL 2510

Manual control for two handpieces
 asepsis 3-way air/water syringe w/tubing, 5'
 handpiece tubing, 4-hole Midwest, asepsis style, 5'
 individual module control block with manual selector
 individual handpiece pressure adjustment
 non-retraction water coolant with on/off
 self contained clean water system,
 single bottle 1½ liter
 wet/dry foot control
 Remote mount holder assembly with control tubing, 6'
 External 6' umbilical
 Standard utility center without housing & cover
 air pressure regulator with filter
 master air shut-off valve

FACTORY OPTIONS	PART NO	RETAIL	PRICE
DELIVERY SYSTEM MODEL CHOICE _____			PRICE : _____
Handpiece Illumination System			
one handpiece (5-hole), accommodates 1 add'l tubing	1700-012-CS	\$ 265	_____
add'l handpiece illumination tubing (5-hole)	0017-694-CS	220	_____
one handpiece (6-pin) in lieu of 5-hole	1700-017-CS	265	_____
add'l handpiece illumination tubing (6-pin)	0017-994-CS	220	_____
(1) Time delay kit per HP illumination tubing	0014-122	160	_____
Additional handpiece position, wet (2500)	1100-189-CS	385	_____
Additional handpiece position, air drive only (2500)	1100-190-CS	185	_____
Heated syringe conversion kit (1) per syringe	1107-450-CS	285	_____
☛ Standard utility center housing & cover	1115-020	100	_____
☛ Deluxe utility center housing & cover	1115-007	200	_____
☛ Contoured utility center housing & cover	3900-001	350	_____
Additional umbilical (per foot)	0017-819-CS	8	_____
☛ ***QUICK DISCONNECT (not standard)*** Dealer installed (see page 129)			_____
		TOTAL	_____

Wall/cabinet cut-out dimensions, see page 144

Shipping weight:

2500 18 lb / 8 kg 2510 15 lb / 7 kg



DESIGNER FRIENDLY™ SURFACE TREATMENTS (N/C) (see page 6 & 7)

Powder coat paint finishes:

<input type="radio"/> Forest Grey	<input type="radio"/> Shadow	<input type="radio"/> Pearl	<input type="radio"/> Charcoal
<input type="radio"/> Pewter	<input type="radio"/> Sage	<input type="radio"/> Bronze	<input type="radio"/> Arctic Silver



MODEL 2515
\$ 2555



MODEL 2505
\$ 3270

STANDARD FEATURES

DUO CONTROL with ASSISTANT'S INSTRUMENTATION 2515

Automatic control for two handpieces
 asepsis 3-way air/water syringe w/tubing, 5'
 handpiece tubing, 4-hole Midwest, asepsis style, 5'
 handpiece illumination system (5-hole)
 pneumatic master control block w/diaphragm
 master on/off
 individual handpiece pressure adjustment
 individual water coolant adjustment
 non-retraction water coolant with on/off
 air coolant adjustment
 self contained clean water system,
 single bottle 1½ liter
 wet/dry foot control w/chip blower and 12' tubing
 Remote mount 5 position holder assembly
 External 6' umbilical
 Standard utility center without housing & cover
 air pressure regulator with filter
 master air shut-off valve
 Single assistant's instrumentation
 central vacuum canister w/disposable solids collector
 autoclavable universal HVE lever valve with tubing, 5'
 autoclavable saliva ejector lever valve with tubing, 5'
 Lifetime warranty:
 handpiece control blocks, handpiece manifolds,
 diaphragms, water relay valves, needle control valves,
 toggle valves, shuttle valves, check valves

DUO CONTROL with DUAL ASSISTANT'S INSTRUMENTATION 2505

Same as Unit above, with additional features:

Automatic control for four handpieces
 additional handpiece illumination tubing (5-hole)
 Dual, remote mount, 2 position holder assemblies
 Dual assistant's instrumentation for left/right mounting
 central vacuum canister w/disposable solids collector
 asepsis 3-way air/water syringe
 autoclavable universal HVE lever valve with tubing, 5'
 autoclavable saliva ejector lever valve with tubing, 5'

Shipping weight:
 2515 17 lb / 8 kg 2505 20 lb / 10 kg

FACTORY OPTIONS

	PART NO	RETAIL	PRICE
DELIVERY SYSTEM MODEL CHOICE _____			PRICE : _____
Handpiece Illumination System			
one handpiece (5-hole) (2505), accommodates 1 add'l tubing1700-012-CS	\$ 265	_____
add'l handpiece illumination tubing (5-hole) (2515)0017-694-CS	220	_____
one handpiece (6-pin) in lieu of 5-hole1700-017-1-CS	N/C	_____
one handpiece (6-pin), accommodates 1 add'l tubing1700-017-CS	265	_____
add'l handpiece illumination tubing (6-pin) (2515)0017-994-CS	220	_____
(1) Time delay kit per HP illumination tubing0014-122	160	_____
Heated syringe conversion kit (1) per syringe1107-450-CS	285	_____
➤ Standard utility center housing & cover1115-020	100	_____
➤ Deluxe utility center housing & cover1115-007	200	_____
➤ Contoured utility center housing & cover3900-001	350	_____
Additional umbilical (per foot)0017-819-CS	8	_____
➤ ***QUICK DISCONNECT (not standard)*** Dealer installed (see page 129)			_____
		TOTAL	_____

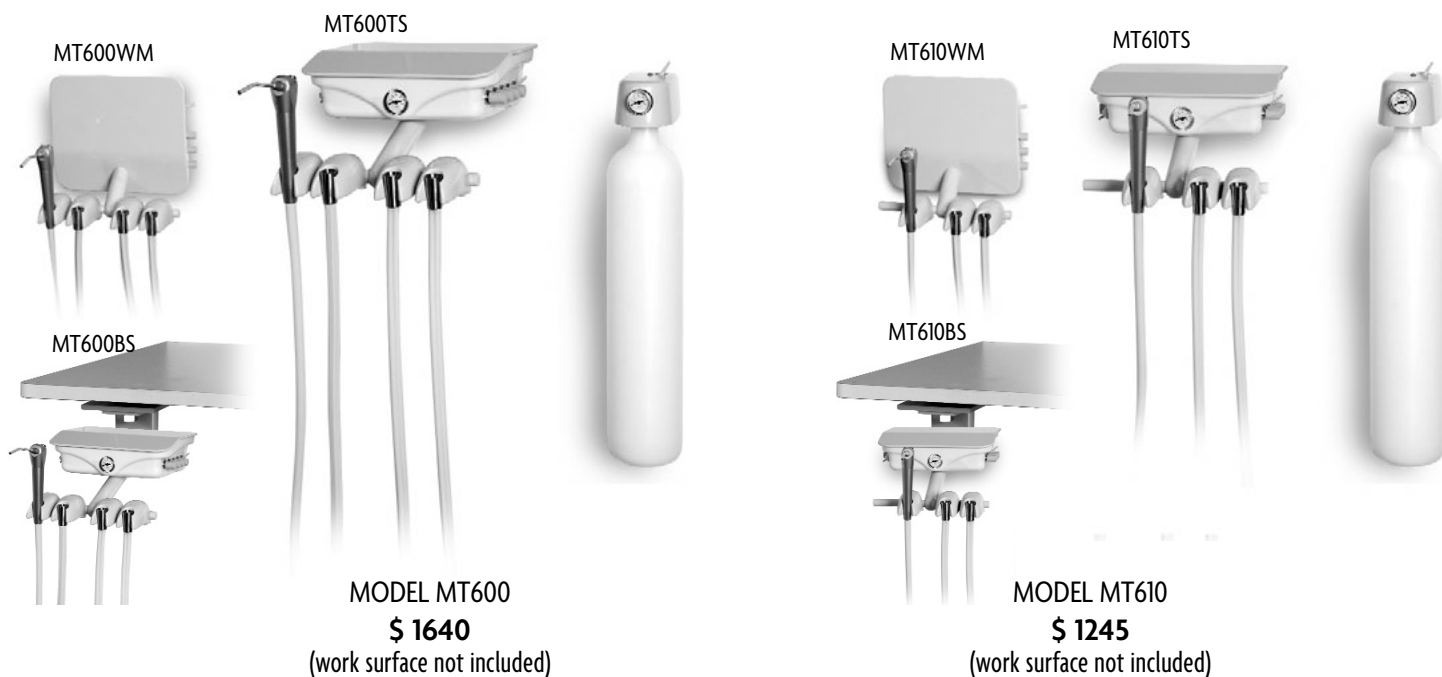
Wall/cabinet cut-out dimensions, see page 144

DESIGNER FRIENDLY™ SURFACE TREATMENTS (N/C) (see page 6 & 7)

- Powder coat paint finishes:
- | | | | |
|-----------------------------------|------------------------------|------------------------------|-------------------------------------|
| <input type="radio"/> Forest Grey | <input type="radio"/> Shadow | <input type="radio"/> Pearl | <input type="radio"/> Charcoal |
| <input type="radio"/> Pewter | <input type="radio"/> Sage | <input type="radio"/> Bronze | <input type="radio"/> Arctic Silver |

optional delivery systems

compact controls



MODEL MT600

\$ 1640

(work surface not included)

MODEL MT610

\$ 1245

(work surface not included)

STANDARD FEATURES

FACTORY OPTIONS

PART NO

RETAIL

PRICE

DOCTOR CONTROL WITH 3 HP's

Top Shelf Mount	MT600TS
Beneath Shelf Mount with Swivel	MT600BS
Wall Mount	MT600WM

DOCTOR CONTROL WITH 2 HP's

Top Shelf Mount	MT610TS
Beneath Shelf Mount with Swivel	MT610BS
Wall Mount	MT610WM

All units include the following features:

- Automatic control for three handpieces, or
- Automatic control for two handpieces
- asepsis 3-way air/water syringe w/tubing, 5' handpiece tubing, 4-hole Midwest, asepsis style, 5' pneumatic master control block w/diaphragm master on/off
- individual handpiece pressure adjustment
- non-retraction water coolant with on/off
- air coolant adjustment
- self contained clean water system, single bottle 1½ liter
- wet/dry type foot control
- External 12' umbilical
- Standard utility center without housing & cover
- air pressure regulator with filter
- master air shut-off valve
- Lifetime warranty:
 - handpiece control blocks, handpiece manifolds, diaphragms, water relay valves, needle control valves, toggle valves, shuttle valves, check valves

Shipping weight:

MT600, MT610 20 lb / 10 kg

DELIVERY SYSTEM	MODEL CHOICE _____	PRICE :	_____
Handpiece Illumination System			
one handpiece (5-hole), accommodates 1 add'l tubing	1700-012-CS	\$ 265	_____
add'l handpiece illumination tubing (5-hole)	0017-694-CS	220	_____
one handpiece (6-pin), accommodates 1 add'l tubing	1700-017-CS	265	_____
add'l handpiece illumination tubing (6-pin)	0017-994-CS	220	_____
(1) Time delay kit per HP illumination tubing	0014-122	160	_____
Heated syringe conversion kit (1) per syringe	1107-450-CS	285	_____
Slide mount with swivel, 9" extension (order TS)	1700-030	250	_____
Folding arm assembly, 8" x 12" with wall mount (order TS)	1110-115-CS	300	_____
Standard utility center housing & cover	1115-020	100	_____
Deluxe utility center housing & cover	1115-007	200	_____
Contoured utility center housing & cover	3900-001	350	_____
Additional umbilical (per foot)	0017-819-CS	8	_____
Assistant Instrumentation Option (Drain Tubing 12")			
These options add extended holder bar to MT's with holders mounted			
Universal autoclavable with (2 holders)			
(HVE, saliva ejector & canister)	1406-CS	210	_____
Standard autoclavable with (2 holders)			
(HVE, saliva ejector & canister)	1405-CS	210	_____
Additional drain tubing (per foot)	0017-933-CS	3	_____
***QUICK DISCONNECT (not standard)**	Dealer installed (see page 129)		_____
TOTAL			_____

DESIGNER FRIENDLY™ SURFACE TREATMENTS (N/C) (see page 6 & 7)

Plastic finishes:	<input type="radio"/> Forest Grey	<input type="radio"/> Lemans (carbon fiber)	<input type="radio"/> Laser Leather (carbon fiber)	<input type="radio"/> Greywood (carbon fiber)
Powder coat paint finishes:	<input type="radio"/> Forest Grey	<input type="radio"/> Shadow	<input type="radio"/> Pearl	<input type="radio"/> Charcoal
	<input type="radio"/> Pewter	<input type="radio"/> Sage	<input type="radio"/> Bronze	<input type="radio"/> Arctic Silver



MODEL PMT300
\$ 1605



MODEL PMT350
\$ 2215

STANDARD FEATURES

DOCTOR CONTROL PMT300

Automatic control for two handpieces
 asepsis 3-way air/water syringe w/tubing, 5'
 handpiece tubing, 4-hole Midwest, asepsis style, 5'
 pneumatic master control block w/diaphragm
 master on/off
 individual handpiece pressure adjustment
 non-retraction water coolant with on/off
 air coolant adjustment
 self contained clean water system,
 single bottle 16 oz
 wet/dry foot control
 1/4" female air outlet QD
 3/8" male air QD with tubing, 6'
 Air pressure regulator with filter and gauge
 master air shut-off valve
 Lifetime warranty:
 handpiece control blocks, handpiece manifolds,
 diaphragms, water relay valves, needle control valves,
 toggle valves, shuttle valves, check valves

DUO CONTROL PMT350

Same as Unit above, with additional features:

Self-contained AVS Venturi vacuum with collection jar
 autoclavable standard HVE lever valve with tubing, 5'
 autoclavable saliva ejector lever valve with tubing, 5'

Shipping weight:

PMT300 20 lb / 10 kg
 PMT350 25 lb / 12 kg

FACTORY OPTIONS

	PART NO	RETAIL	PRICE
DELIVERY SYSTEM	MODEL CHOICE		PRICE: _____
Handpiece Illumination System			
one handpiece (5-hole), accommodates 1 add'l tubing1700-012-CS	\$ 265	_____
add'l handpiece illumination tubing (5-hole)0017-694-CS	220	_____
one handpiece (6-pin), accommodates 1 add'l tubing1700-017-CS	265	_____
add'l handpiece illumination tubing (6-pin)0017-994-CS	220	_____
(I) Time delay kit per HP illumination tubing0014-122	160	_____
TOTAL			_____

optional delivery systems

assistant's instrumentation



MODEL 1090
\$ 1225



Tray assembly (1090) optional



MODEL 1055
\$ 1040
(work surface not included)

STANDARD FEATURES

REAR PIVOT CHAIR MOUNT 1090

Rear pivot mount

☛ (for 6300 or 3900 chair – please specify)

Central vacuum accessory package
arm mounted central vacuum canister
w/disposable solids collector

asepsis 3-way air/water syringe w/tubing, 5'
autoclavable standard HVE lever valve w/tubing, 5'
autoclavable saliva ejector lever valve w/tubing, 5'

Internal umbilical

BENEATH SHELF SWING MOUNT 1055

Under surface swing mount

Central vacuum accessory package
arm mounted central vacuum canister
w/disposable solids collector

asepsis 3-way air/water syringe w/tubing, 5'
autoclavable standard HVE lever valve w/tubing, 5'
autoclavable saliva ejector lever valve w/tubing, 5'

Master on/off

Umbilical, 5'

FACTORY OPTIONS

	PART NO	RETAIL	PRICE
DELIVERY SYSTEM MODEL CHOICE			PRICE : _____
Electric vacuum activation	1400-199-CS	\$ 200	_____
Heated syringe conversion kit (1) per syringe	1107-450-CS	285	_____
Universal HVE in lieu of standard	1400-207-CS	N/C	_____
Additional standard autoclavable HVE			_____
w/tubing, 5' & autoclavable oral dry cup	1400-113-CS	75	_____
Quick disconnect with flow control, 1/4" (specify air or water)	0016-455-CS	90	_____
Dual articulating quad holder assembly, standard HVE	0024-217-CS	200	_____
Self-contained clean water system, single bottle 1 liter (1090)	1700-118-CS	200	_____
Self-contained clean water system, single bottle 1½ liter (1055)	1700-201	200	_____
Wet handpiece position, includes self-contained clean water (1090)	1100-490-CS	800	_____
Wet handpiece position (1055)	1100-492-CS	575	_____
Dry handpiece position	1100-491-CS	275	_____
Wall mount conversion (1055)	1110-349-CS	100	_____
Tray assembly (1090) (see page 128)	1110-680	500	_____
☛ Assistant's utility center w/o housing and cover	1115-008	200	_____
☛ Standard utility center housing & cover	1115-020	100	_____
☛ Deluxe utility center housing & cover	1115-007	200	_____
☛ Contoured utility center housing & cover	3900-001	350	_____
Additional umbilical (per foot)	1115-998-CS	20	_____
TOTAL			_____

☛ DESIGNER FRIENDLY™ SURFACE TREATMENTS (N/C) (see page 6 & 7)

Plastic finishes:	<input type="radio"/> Forest Grey	<input type="radio"/> Lemans (carbon fiber)	<input type="radio"/> Laser Leather (carbon fiber)	<input type="radio"/> Greywood (carbon fiber)
Powder coat paint finishes:	<input type="radio"/> Forest Grey	<input type="radio"/> Shadow	<input type="radio"/> Pearl	<input type="radio"/> Charcoal
	<input type="radio"/> Pewter	<input type="radio"/> Sage	<input type="radio"/> Bronze	<input type="radio"/> Arctic Silver

Mounting plate dimensions, see page 145

Shipping weight:

1090 14 lb / 7 kg

1055 12 lb / 6 kg



MODEL 1070
\$ 940



MODEL 1075
\$ 725

STANDARD FEATURES

POST MOUNT VACUUM TELESCOPING ARM 1070

- Post mount, 2"
- Central vacuum accessory package
 - arm mounted central vacuum canister
 - w/disposable solids collector
 - asepsis 3-way air/water syringe w/tubing, 5'
 - autoclavable standard HVE lever valve w/tubing, 5'
 - autoclavable saliva ejector lever valve w/tubing, 5'
- External umbilical, 4'

POST MOUNT VACUUM TELESCOPING ARM 1075

- Post mount, 2"
- Central vacuum accessory package
 - post mounted central vacuum canister
 - w/disposable solids collector
 - asepsis 3-way air/water syringe w/tubing, 5'
 - autoclavable standard HVE lever valve w/tubing, 5'
 - autoclavable saliva ejector lever valve w/tubing, 5'
- External umbilical, 4'

FACTORY OPTIONS

	PART NO	RETAIL	PRICE
DELIVERY SYSTEM	MODEL CHOICE		PRICE :
Electric vacuum activation	1400-199-CS	\$ 200	
Heated syringe conversion kit (1) per syringe	1107-450-CS	285	
Universal HVE in lieu of standard	1400-207-CS	N/C	
Additional standard autoclavable HVE			
w/tubing, 5' & autoclavable oral dry cup	1400-113-CS	75	
Dual articulating quad holder assembly, standard HVE (1070)	0024-227-CS	200	
Self-contained clean water system, single bottle 1½ liter	1700-200-CS	200	
Wet handpiece position (1070)	1100-493-CS	575	
Dry handpiece position (1070)	1100-491-CS	275	
☛ Assistant's utility center w/o housing and cover	1115-008	200	
☛ Standard utility center housing & cover	1115-020	100	
☛ Deluxe utility center housing & cover	1115-007	200	
☛ Contoured utility center housing & cover	3900-001	350	
Additional umbilical (per foot)	1115-998-CS	20	

TOTAL



DESIGNER FRIENDLY™ SURFACE TREATMENTS (N/C) (see page 6 & 7)

Plastic finishes (1070):	<input type="radio"/> Forest Grey	<input type="radio"/> Lemans (carbon fiber)	<input type="radio"/> Laser Leather (carbon fiber)	<input type="radio"/> Greywood (carbon fiber)
Powder coat paint finishes:	<input type="radio"/> Forest Grey	<input type="radio"/> Shadow	<input type="radio"/> Pearl	<input type="radio"/> Charcoal
	<input type="radio"/> Pewter	<input type="radio"/> Sage	<input type="radio"/> Bronze	<input type="radio"/> Arctic Silver

Shipping weight:
1070, 1075 15 lb / 7 kg

we listen

features we've implemented from years of listening

more standard features

- Handpiece exhaust filters standard to eliminate lubricant messiness.
- Self-contained clean water, standard.

no short-cuts on durability

- Powder coated metal swivel tray holders replaced plastic trays for longevity.
- Cast aluminum sub-base and chair back on 3900 patient chair for added durability.

don't forget style

- Designer Friendly option offers powder coat paint colors, carbon fiber finishes and chrome billet aluminum arm end caps for the ultimate in patient friendly interior design (standard).



I strongly believe the dental community, especially the field technician, is the best source for finding ways to improve our equipment. Listening to their comments and suggestions has been a major factor in our industry-leading growth. We are committed to implementing customer feedback with a goal of improving equipment without increasing prices.

Our continuing effort to build quality equipment, allows our employees and me to proudly stand along side any of the more expensive brands. Dentists have discovered that the savings they realize from Forest's **Affordable Excellence** expands their purchasing power for practice enhancing items such as digital x-rays, intraoral cameras and electric handpieces: **simply smart business.**

Hank Bester
Owner and President

attention to detail

- Teflon bushings with friction adjustment screws for Feather Touch Movement and precise control of unit arms.
- Umbilical diameter increased to 1-1/2" on all doctor's wall mount delivery systems for better adaptation of ancillary products.
- Metal air and water tees replaced plastic tees for greater reliability.

improved serviceability

- Removable sidebox covers
- Improved service access in deluxe cuspidor.
- All control hoods designed for easy tool-free removal.



DESIGNER FRIENDLY	2
DELIVERY SYSTEMS WITHOUT CHAIR.....	14
PIVOT CHAIR MOUNT PACKAGES	20
FIXED CHAIR MOUNT WITH SIDEBOX PACKAGES	36
FIXED CHAIR MOUNT WITHOUT SIDEBOX PACKAGES.....	52
CHAIRS + STOOLS	68
LIGHTS + MONITOR MOUNT ASSEMBLIES	74
REAR + SIDE DELIVERY SYSTEMS	82
CARTS	96
CUSPIDORS.....	106
OPTIONAL DELIVERY SYSTEMS	112
FACTORY OPTIONS + PARTS.....	120
Chair adapters, monitor posts + light posts.....	122
Ancillary options	123
Factory options + parts.....	124
GENERAL INFORMATION.....	132

factory options + parts

chair adapters, monitor posts + light posts

STANDARD CHAIR ADAPTERS - for 2" post	PART NO.	RETAIL
---------------------------------------	----------	--------

FOREST, 6200, 6300	1115-200	\$ 385
FOREST, 3900	1115-195	385

MONITOR POSTS 2" diameter with oilite bushing (used with 1331TPM)	PART NO.	RETAIL
---	----------	--------

30" W/DUAL SLOT, FIXED SIDEBOX MOUNT	1331-998	\$ 180
30" W/SINGLE SLOT, FIXED (INCLUDES POST CLAMP)	1331-997	230

LIGHT POSTS 2" with light bushing	PART NO.	RETAIL
-----------------------------------	----------	--------

24" EXTENSION (INCLUDES POST CLAMP)		
FOREST MODEL	1110-518	\$ 230
PELTON & CRANE	1110-517	230
35" LIGHT POST (INCLUDES POST CLAMP)		
FOREST MODEL	1110-820	230
PELTON & CRANE	1110-822	230
35" LIGHT POST W/SLOT (FOR MONITOR CORD) (INCLUDES POST CLAMP)		
FOREST MODEL	1110-045	230
44" LIGHT POST		
FOREST MODEL	1110-794	180
PELTON & CRANE	1110-785	180
44" LIGHT POST W/SLOT (FOR MONITOR CORD)		
FOREST MODEL	1110-050	180
44" LIGHT POST W/SLOT (SIDEBOX OPTION)		
FOREST MODEL	1110-900	180
PELTON & CRANE	1110-890	180
44" LIGHT POST W/DUAL SLOT (FOR MONITOR CORD & SIDEBOX ACCESS)		
FOREST MODEL	1110-170	180

FACTORY INSTALLED OPTION	PART NO	RETAIL
--------------------------	---------	--------



SATELEC SP NEWTRON PIEZO SCALER, w/power supply, uses existing HP position	SATELEC-S	\$ 1730
SATELEC SP NEWTRON LED LIT PIEZO SCALER, w/power supply, uses existing HP position	SATELEC-S-LED	2220

Please call 800-289-6367 for warranty and technical support of the Scaler.

- Color coding system ensures proper tip and power setting
- Three tips: #1, #10Z, H3 (Intro Scaling Kit)
- Tips available for periodontics, endodontics, scaling, restorative, and cavity preparation
- Cruise Control™ automatically adjusts frequency amplitude
- On/off controlled by rheostat
- First ever autoclavable LED lit handpiece – 100,000 LUX
- Newtron technology means power, control and reliability!
- Satelec warranty 1 year / tips 30 days from date of purchase



SATELEC MINI LED CURING LIGHT	SATELEC-CL	\$ 1425
-------------------------------------	------------	---------

Please call 800-289-6367 for warranty and technical support of the Curing Light.

- 7.5 mm light guide increases light emission by 30% for fast and powerful curing (equivalent to plasma light)
- Equipped with a micro-processor for perfect control of the LED (Light Emitting Diode) with three different modes: fast, pulse & ramp
- Power output of 1250mW/cm² with 7.5mm light guide and up to 2000 mW/cm² with the 5.5mm light guide
- Very wide light spectrum (between 420 and 480nm) to cure a wide variety of composites
- Autoclavable light guide (6 different sizes / shapes available)
- Satelec warranty 1 year from date of purchase



BIEN-AIR OPTIMA MX INT ELECTRIC HANDPIECE CONTROL, uses existing HP position	BIEN-AIR	\$ 3995
OPTIMA MX INT DUAL ELECTRIC HANDPIECE CONTROL, uses existing HP position	BIEN-AIR-D	6375

Please call 800-433-2436 for warranty and technical support of the Handpiece.

- Handpiece purchased separately from Bien-air
- Highest torque output on the market
- Swivel tubing reduces arm fatigue
- Quick-disconnect, autoclavable motor
- High and low speed applications using one attachment
- MX motor speed from 100 to 40,000 rpm
- Auto-reverse and torque control for endo procedures
- 40 memory position with pre-programmed procedures
- Bien-Air warranty 3 years from date of purchase

Dual Motor has same features as above, plus two motor activation from the same display and controller



AIR-TECHNIQUES POLARIS INTRAORAL VIDEO CAMERA SYSTEM	AIRTECH-C	\$ 4995
--	-----------	---------

Please call 800-247-8324 for warranty and technical support of Camera.

- Patent-pending 330-degree swivel head captures all angles with ease.
- Rounded, ergonomic design makes Polaris easy to hold and operate.
- Optical glass lens automatically focuses all objects from 6 mm to 40 mm.
- Sharpness and true-to-life soft tissue color make Polaris a valuable diagnostic tool and a fantastic aid to patient presentation.
- Two models available to suit your needs - Polaris USB and Polaris Universal.
- Air Techniques warranty 3 years from date of purchase



USB CABLE0014-286	\$ 75
-----------------	-----------	-------

Factory installed from delivery system to utility center.

FACTORY INSTALLED OPTION

PART NO

RETAIL



ORALITE HANDPIECE ILLUMINATION SYSTEM, 5 HOLE FACTORY OPTION1700-012-CS

\$ 265

A compact handpiece illumination system that installs easily to any handpiece control and is compatible with any standard power optic handpiece. An easy to replace krypton lamp provides brilliant, cool light for intra-oral use.

- ISO standard power optic handpiece terminal with stainless steel adapter and nut (5-hole Midwest)
- Asepsis style handpiece tubing, 7' - accommodates 1 additional tubing position
- Krypton lamp, 3.5VAC, 720mA
- Power transformer, output 3.5VAC, 700mA
- Air electric switch
- Installation hardware



HANDPIECE ILLUMINATION REPLACEMENT TUBING, 5 HOLE

Sterling	0017-692	\$ 195
Shadow	0017-592	195
Black	0017-675	195

Used to replace power optic handpiece tubing.

- ISO standard power optic handpiece terminal with stainless steel adapter and nut (5-hole Midwest)
- Asepsis style handpiece tubing, 7' optional additional tubing



HANDPIECE ILLUMINATION SYSTEM, 6 PIN FACTORY OPTION1700-017-CS

\$ 265

A compact handpiece illumination system that installs easily to any handpiece control and is compatible with any ISO-C handpiece (6-Pin).

- ISO-C standard power optic handpiece terminal (6-Pin)
- Asepsis style handpiece tubing, 7' - accommodates 1 additional tubing position
- Power transformer, output 3.5VAC, 700mA
- Air electric switch
- Installation hardware

Note: 220VAC is only offered in a Euro style plug



HANDPIECE ILLUMINATION TUBING, 6 PIN

Sterling	0017-603	\$ 195
Shadow	0017-900	195
Black	0017-903	195

Used to replace power optic handpiece tubing.

- ISO standard power optic handpiece terminal with stainless steel adapter and nut (5-hole Midwest)
- Asepsis style handpiece tubing, 7' - accommodates 1 additional tubing position

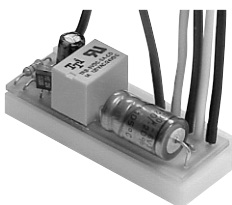


KRYPTON LAMP0014-067

\$ 70

For use in handpiece illumination system, 3.5VAC, 720mA

Used with 0017-692, 0017-592 and 0017-675 tubing



TIME DELAY KIT 0014-122

\$ 160







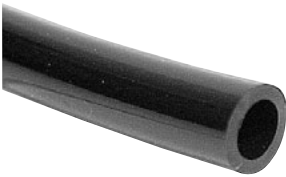


Time delay module for use with Oralite Handpiece Illumination System.









Easily installed kit retrofits all existing Oralite systems. One required per handpiece.

- 10 second delay after foot control is released
- Complete installation instructions





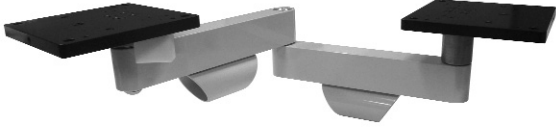


	FACTORY INSTALLED OPTION	PART NO	RETAIL
	HANDPIECE TUBING, ASEPSIS STYLE (VINYL)		
	Sterling0017-810	\$ 35
	Shadow0017-510	35
	Black0017-398	35
	4-Hole, straight midwest terminal		
	DELUXE AIR/WATER SYRINGE		
	with press-release tip1108-010	\$ 100
	with sheathed tubing assembly, 5'		
	Sterling1107-755	125
	Shadow1107-755-SH	125
Black1107-755-BLK	125	
	SYRINGE TUBING ASSEMBLY (POLYURETHANE), SHEATHED		
	Sterling0017-865	\$ 25
	Shadow0017-565	25
	Black0017-368	25
	HEATED SYRINGE CONVERSION KIT FACTORY OPTION1107-450-CS	\$ 285
	The Heated Syringe Conversion Kit adapts to existing 3-way syringes to provide instant warm water during normal operations. Includes:		
	<ul style="list-style-type: none"> • Power source with variable temperature and on/off controls (1/2 Amp fuse, Volts 10 1/2 - 12 w/ load applied) • Size, 2-3/4" x 5" x 2-1/2" • Tubing • Low voltage wire, 10' 		
	HEATED SYRINGE TUBING ASSEMBLY, ASEPSIS STYLE		
	Sterling0017-122	\$ 115
	Shadow0017-113	115
	Black0017-522	115
	AIR-ACTUATED ON/OFF, 110VAC0014-095	\$ 330
	Compact 4 oz. reservoir type water heater with manual or air-actuated on/off control. Temperature pre-set at 105° for comfort and quick recovery. May be mounted upright or in prone position. Noncorrosive nickel plated. Not recommended with clean water systems. Includes:		
	<ul style="list-style-type: none"> • Reservoir-type heater, 200 watt, 1.67 amp • 10-32 x 1/16" barbs with sleeves 		
	DELUXE STANDARD HVE VACUUM VALVE1100-460	\$ 45
	Autoclavable with metal lever		

factory options + parts

	FACTORY INSTALLED OPTION	PART NO	RETAIL
	DELUXE UNIVERSAL VACUUM VALVE Autoclavable with metal lever	.1100-461	\$ 45
	DELUXE SALIVA EJECTOR VALVE Autoclavable with metal lever with grey tip with black tip1100-335 .1100-335-BLK	\$ 40 40
	ADDITIONAL HVE with tubing 5' and autoclavable oral dry cup Standard vacuum valve Factory option Sterling Shadow Black Universal vacuum valve Factory option Sterling Shadow Black1400-113-CS .1400-113-G .1400-113-SH .1400-113-BLK .1400-119-CS .1400-119-G .1400-119-SH .1400-119-BLK	\$ 75 75 75 75 \$ 75 75 75 75
	ORAL DRY CUP Autoclavable polysulfone (beige). Fits all vacuum valves with 7/16" dia. tips.	.1400-010	\$ 10
	SMOOTH VACUUM TUBING, 1/2" ID FACTORY OPTION factory option Sterling Shadow Black0017-933-CS .0017-933 .0017-533 .0017-333	\$ 3 / foot 3 / foot 3 / foot 3 / foot
	SMOOTH VACUUM TUBING, 1/2" HEX ID Sterling Shadow Black0017-932 .0017-532 .0017-332	\$ 2.50 / foot 2.50 / foot 2.50 / foot
	SALIVA EJECTOR TUBING (VINYL) Sterling Shadow Black0017-930 .0017-330 .0017-530	\$.70 / foot .70 / foot .70 / foot
	QUAD HOLDER ASSEMBLY, UNIVERSAL White Black	0024-114 0024-114-BLK	\$ 65 65
	QUAD HOLDER ASSEMBLY, DOUBLE HVE White Black	0024-127 0024-127-BLK	\$ 65 65









	FACTORY INSTALLED OPTION	PART NO	RETAIL
	DUAL ARTICULATING QUAD HOLDER ASSEMBLY, UNIVERSAL		
	Factory option	0024-227-CS	\$ 200
	4 standard, 4 universal, white	0024-227	250
	4 standard, 4 universal, black	0024-227-BLK	250
	Factory option	0024-224-CS	200
	8 universal, white	0024-224	250
	8 universal, black	0024-224-BLK	250
	WET/DRY FOOT CONTROL		
	Forest Grey1105-174-G	\$ 150
	Designer Friendly (specify color)1105-174-C	150
	CONTOURED UTILITY CENTER HOUSING AND COVER (8 X 17-3/16 X 17-3/16)		
	Factory option3900-001	\$ 350
	Forest grey3900-001-G	350
	Shadow3900-001-SH	350
	COMPLETE CONTOURED UTILITY CENTER		
	• air pressure regulator with filter		
	• master air shut-off valve		
	Factory option3900-002	\$ 675
	Forest grey3900-002-G	675
	Shadow3900-002-SH	675
	DELUXE UTILITY CENTER HOUSING AND COVER (7 X 13-5/16 X 12-11/16)		
	• rear umbilical access		
	Factory option1115-007	\$ 200
	Forest Grey1115-007-G	200
	Shadow1115-007-SH	200
	Black1115-007-BLK	200
	COMPLETE DELUXE UTILITY CENTER		
	• right umbilical access		
	• air pressure regulator with filter		
	• master air shut-off valve		
	Factory option1115-005	\$ 575
	Forest grey1115-005-G	575
	Shadow1115-005-SH	575
	Black1115-005-BLK	575
	STANDARD UTILITY CENTER HOUSING AND COVER (4-1/2 X 9 X 14)		
	Factory option1115-020	\$ 100
	Forest Grey1115-020-G	100
	Designer Friendly (specify color)1115-020-C	100
	COMPLETE STANDARD UTILITY CENTER		
	• air pressure regulator with filter		
	• master air shut-off valve		
	Factory option1115-001-CS	\$ - 150
	Forest grey1115-001-G	425
	Designer Friendly (specify color)1115-001-C	425








factory options + parts

	FACTORY INSTALLED OPTION	PART NO	RETAIL
	TRAY HOLDER ASSEMBLY, use with 1090 rear pivot assistant's instrumentation		
	Factory option110-680	\$ 500
	Forest Grey110-680-G	500
	Designer Friendly (specify color)110-680-C	500
	includes:		
	<ul style="list-style-type: none"> pivoting powder coated tray holder, 9-3/4" x 13-1/2" clamp assembly adapts to 1 1/2" horizontal or vertical post 		
	SLIDE WITH SWIVEL 9" EXTENSION, use with under surface mount units 2400, 2745 & MT's		
	Factory option1700-030	\$ 250
	Forest Grey1700-030-G	250
	Designer Friendly (specify color)1700-030-C	250
	includes:		
	<ul style="list-style-type: none"> 4" x 4" horizontal mounting plate with smooth slide glides 9" slide plate swivel control bracket 		
	FOLDING ARM ASSEMBLY 8 X 12, use with under surface mount units 2400, 2745 & MT's		
	Factory option110-115-CS	\$ 300
	Forest Grey110-115-G	300
	Designer Friendly (specify color)110-115-C	300
	Includes:		
	<ul style="list-style-type: none"> 8" folding arm with 1/2" pin and umbilical retainer 12" folding arm with 1/2" pin and umbilical retainer 4" x 4" wall mounting plate which accepts 1/2" pin Control mount with 1/2" pin 		
	UNIVERSAL HEAVY DUTY MOUNTING PLATE		
	10" X 24" beneath counter0010-084	\$ 285
	11" X 14-1/2" beneath counter0010-086	175
	10" X 24" in lieu of 11" X 14-1/2"0010-084-CS	110
	FLOATING WORK SURFACE ARM ASSEMBLY, 20"		
	Factory option 1280/21800023-806	\$ 655
	with beneath counter and work surface support bracket		
	Forest Grey0023-815-G	655
	Designer Friendly (specify color)0023-815-C	655
	OPTIONAL WALL MOUNT CONVERSION, allows 1055 to be mounted on vertical surface in lieu of under cabinet mount factory option110-349-CS	\$ 100
	Includes:		
	<ul style="list-style-type: none"> 8" rigid arm with 1/2" pin and control mount adapter 4" x 4" wall mounting plate which accepts 1/2" pin 		
	SUPPORT SHELF		
	Factory option0023-665	\$ 160
	Forest Grey0023-665-G	160
	Designer Friendly (specify color)0023-665-C	160
	Provides adequate support for use of foot control while allowing cart mobility.		

	FACTORY INSTALLED OPTION	PART NO	RETAIL
	26" RIGID W/24" FLEXIBLE ARM		
	in lieu of top post mount factory option1110-771-RM	N/C
	22" rigid w/18" flexible arm in lieu of top post mount, factory option1110-536-RM	N/C
	26" rigid w/18" flexible arm in lieu of top post mount, factory option1110-537-RM	N/C
	Designed for use with 2" diameter post.		
	VACUUM DRAIN CUSPIDOR KIT1400-115	\$ 375
	May be used to adapt all models of gravity drain cuspidor to central vacuum system. Includes:		
	<ul style="list-style-type: none"> • Vacuum drain valve • Flush nipple • Filter assembly • Tubing • Installation hardware 		
	AIR AND WATER ACCESSORY PANEL Forest grey1300-030-G	\$ 145
	Designer Friendly (specify color)1300-030-C	145
	<ul style="list-style-type: none"> • 3/8" female air quick disconnect • Toggled shut off for air quick disconnect • 1/4" female water quick disconnect • Flow adjustment for water quick disconnect • 4" x 3" flush mount panel 		
 <p>flow control</p>	QUICK DISCONNECTS		
	1/4" QD with flow control, factory installed0016-454-CS	\$ 90
	1/4" QD with flow control, black / grey0016-454-BLK / -G	55
	1/4" QD with flow control, arm and control head mount, grey, factory installed0016-455-CS	90
	1/4" QD with flow control, arm and control head mount, black / grey0016-455-BLK / -G	55
	3/8" QD with flow control, grey, factory installed0016-456-CS	90
	3/8" QD with flow control, black / grey0016-456-BLK / -G	55
	HIGH DENSITY BOTTLE		
	1 1/2 liter0010-464	\$ 30
	1 liter0010-364	20
	For use with clean water systems.		
	<ul style="list-style-type: none"> • Opaque bottle • High Density Polyethylene (HDPE) 		
	AIR ACTUATED ELECTRIC SWITCH		
	Normally open0014-085	\$ 30
	Normally closed0014-088	30
	AUTOMATIC HANDPIECE CONTROL BLOCK DIAPHRAGM		
	Tri-block0022-020	\$ 230
	Quad-block0022-024	6.00
	Five-block1100-348	6.50
	N/C lifetime warranty. Serial number and purchase order required. Freight and labor paid by dealer.		

factory options + parts

	FACTORY INSTALLED OPTION	PART NO	RETAIL
	FOREST ALLEN WRENCH KIT Includes one each of the following sizes: .050, 1/16, 5/64, 3/32, 7/64, 1/8, 9/64, 5/32, 3/16, 7/32, 1/4, 5/16	.0008-019	\$ 15
	HOLDER for Automatic handpiece, 1/2" holder bar Forest Grey/Sterling Shadow Black0010-836-G .0010-836-SH .0010-836-BLK	\$ 65 65 65
	HOLDER, NOTCHED for automatic handpiece, fixed holder bar Forest Grey/Sterling Shadow Black0010-835-G .0010-835-SH .0010-835-BLK	\$ 67.50 67.50 67.50
	HOLDER, ELECTRIC automatic handpiece/universal vacuum/saliva ejector Forest Grey/Sterling Shadow Black0010-856-G .0010-856-SH .0010-856-BLK	\$ 70 70 70
	HOLDER, NOTCHED ELECTRIC automatic handpiece/universal vacuum/saliva ejector, fixed holder bar Forest Grey/Sterling Shadow Black0010-857-G .0010-857-SH .0010-857-BLK	\$ 72 72 72
	HOLDER for universal vacuum/syringe/saliva ejector Forest Grey/Sterling Shadow Black0010-886-G .0010-886-SH .0010-886-BLK	\$ 31 31 31
	HOLDER, NOTCHED for universal vacuum/syringe/saliva ejector, fixed holder bar Forest Grey/Sterling Shadow Black0010-885-G .0010-885-SH .0010-885-BLK	\$ 33.50 33.50 33.50
	HOLDER for standard vacuum Forest Grey/Sterling Shadow Black0010-887-G .0010-887-SH .0010-887-BLK	\$ 31 31 31

	FACTORY INSTALLED OPTION	PART NO	RETAIL
	HOLDER, NOTCHED for standard vacuum, fixed holder bar		
	Forest Grey/Sterling0010-888-G	\$ 33.50
	Shadow0010-888-SH	33.50
	Black0010-888-BLK	33.50
	HOLDER for automatic standard vacuum		
	Forest Grey/Sterling0010-837-G	\$ 65
	Shadow0010-837-SH	65
	Black0010-837-BLK	65
	HOLDER for automatic accessory/universal vacuum		
	Forest Grey/Sterling0010-846-G	\$ 65
Shadow0010-846-SH	65	
Black0010-846-BLK	65	
	HOLDER, NOTCHED for automatic standard vacuum, for fixed holder bar		
	Forest Grey/Sterling0010-838-G	\$ 67.50
	Shadow0010-838-SH	67.50
	Black0010-838-BLK	67.50
	HOLDER, NOTCHED for automatic accessory/universal vacuum, for fixed holder bar		
	Forest Grey/Sterling0010-847-G	\$ 67.50
	Shadow0010-847-SH	67.50
	Black0010-847-BLK	67.50
	HOLDER, ELECTRIC for automatic standard vacuum		
	Forest Grey/Sterling0010-858-G	\$ 70
	Shadow0010-858-SH	70
	Black0010-858-BLK	70
	HOLDER, NOTCHED ELECTRIC for automatic standard vacuum for fixed holder bar		
	Forest Grey/Sterling0010-859-G	\$ 72
	Shadow0010-859-SH	72
	Black0010-859-BLK	72
	PEDO BOOSTER SEAT to accommodate smaller patients. Available on 3900 chair only. specify upholstery color. See page 132 for colors	3907-180	\$ 250
	DURR amalgam separator ready for fixed chair mount with sidebox. Cover and mounting bracket included. factory option1400-270-CS	\$ 200
	Separator not included. Mounting rack set up for Durr CSI/CASI separator.		

ordering guide

ORDERING: When ordering Forest products, the following information should be included:

QUANTITY	ACCESSORIES OR OPTIONS
MODEL/PART #	DATE REQUIRED
DESCRIPTION	PURCHASE ORDER NUMBER
COLOR	METHOD OF SHIPPING

Deviation from our standard colors and Designer Friendly options are subject to an upcharge.

STANDARD LAMINATE WORK SURFACE COLORS

(special laminates: \$200 upcharge. Call customer service for quantity discounts.)

FORMICA:	Almond 920-58	Graphite 837-58	Surf 923-58
	Folkstone 927-58	Oyster Gray 929-58	White Blanc 949-58
WILSONART:	Shadow D96-60		

STANDARD SOLID WORK SURFACE COLORS (same as Modular and Custom Cabinetry)

(Unit or cart: \$500 upcharge)

(Special non-stock solid work surface colors: \$800 upcharge. Call customer service for quantity discounts.)

CORIAN:	Antarctica	Fossil	Blue Pebble	
	Doeskin	Savannah		
GIBRALTAR:	Arctic Melange	Frosty White Mirage	Baja Melange	Light Beige Mirage
MEGANITE™:	Moonstone			

STANDARD UPHOLSTERY COLORS

Ultraleather®:	Baltic	Dove Grey	Pearlized Green Tea	Raven Wing
	Cactus	Grenadine	Pearlized Mica	Sassy
	Charcoal	Neptune	Pearlized Midnight	Stone
	Diplomat Blue	Papyrus	Pearlized Pewter	Walnut
	Doe	Parrot		

Ultraleather® "RAFFIA" (upcharge):
Durango Dust Noche

DESIGNER FRIENDLY PAINT COLORS (color swatches on page 7)

Arctic Silver	Charcoal	Forest Grey	Pearl
Pewter	Sage	Shadow	Bronze

DESIGNER FRIENDLY CARBON FIBER PATTERNS (color swatches on page 7)

Greywood	Lemans	Laser Leather
----------	--------	---------------

TUBING COLORS (no upcharge - colors configured by Forest)

Black	Shadow
Sterling (standard on Forest Grey)	

STOOL PLASTIC COLORS (colors configured by Forest)

Black	Beige
-------	-------

CHROME ACCENTS (SEE PAGE 6) (\$120 upcharge)

CUSTOM COLORS DEVIATING FROM STANDARD SUBJECT TO A 10% UPCHARGE AND EXTENDED DELIVERY TIME

ordering guide

EQUIPMENT CARE GUIDELINES

Forest highly recommends the barrier technique to protect the finish and appearance of your dental equipment. Disposable barrier protectors should be used wherever possible to prolong the appearance of your equipment.

Forest will not recommend any chemical disinfectants for surface cleaning. If you choose to use chemical disinfectants, we strongly recommend you wipe down the equipment with mild soap and water after use to reduce the harmful effects chemical residue leave behind. Daily washing with mild soap and water is recommended.

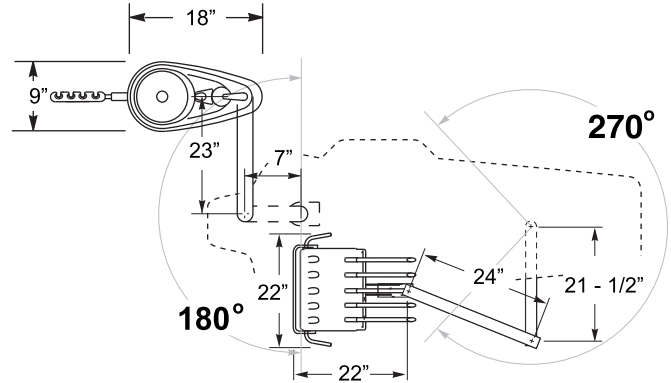
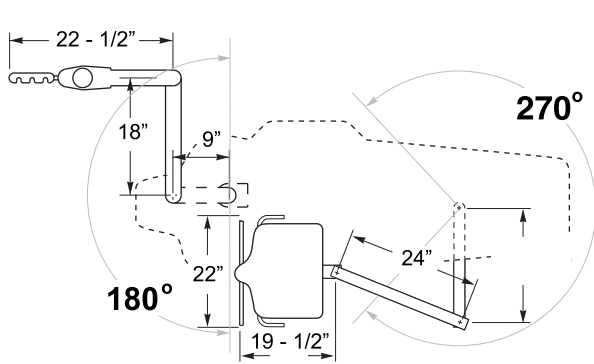
For additional information regarding infection control, we recommend you contact the American Dental Association or visit their website at www.ada.org.

DESIGNER FRIENDLY2
DELIVERY SYSTEMS WITHOUT CHAIR.....14
PIVOT CHAIR MOUNT PACKAGES20
FIXED CHAIR MOUNT WITH SIDEBOX PACKAGES36
FIXED CHAIR MOUNT WITHOUT SIDEBOX PACKAGES.....52
CHAIRS + STOOLS68
LIGHTS + MONITOR MOUNT ASSEMBLIES74
REAR + SIDE DELIVERY SYSTEMS82
CARTS96
CUSPIDORS106
OPTIONAL DELIVERY SYSTEMS112
FACTORY OPTIONS + PARTS.....120
GENERAL INFORMATION.....132
Ordering guide.....132
Dimensions.....134
Terms + Warranty.....146
Professional Sales Associates (PSA).....147
Index.....148

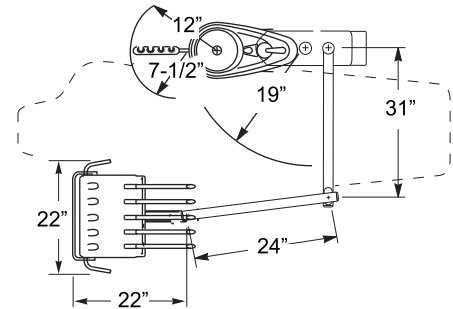
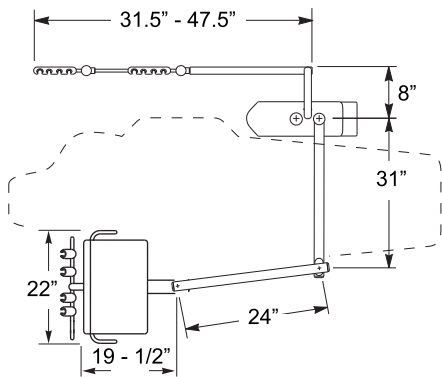
general information

dimensions

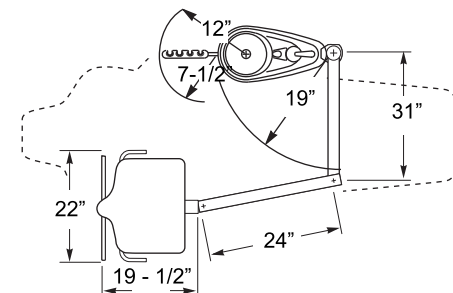
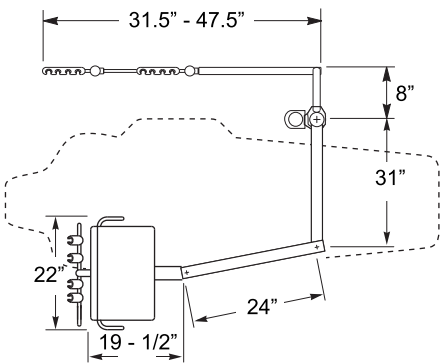
PIVOT DELIVERY SYSTEMS



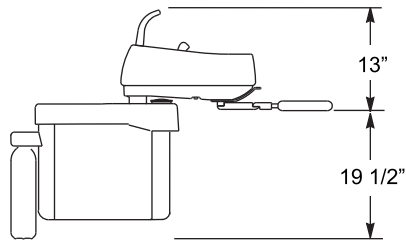
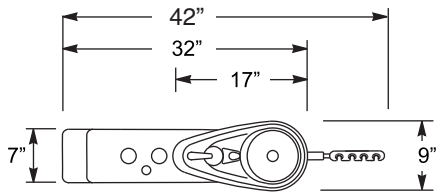
FIXED WITH SIDEBOX DELIVERY SYSTEMS



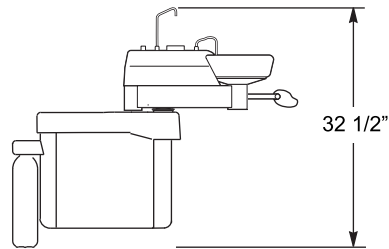
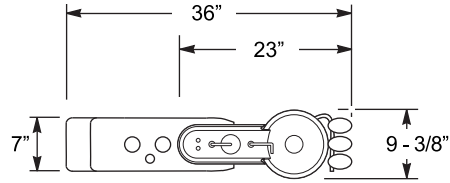
FIXED WITHOUT SIDEBOX DELIVERY SYSTEMS



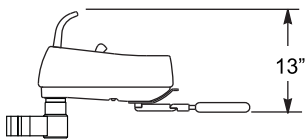
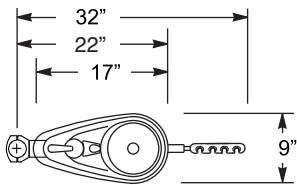
CUSPIDOR WITH SIDEBOX 1690 / 1695



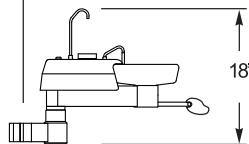
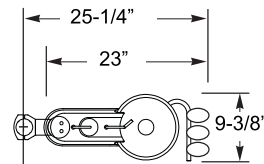
BASIC 1650 / 1655



2" DIAMETER POST CLAMP DELUXE 1575 / 1570

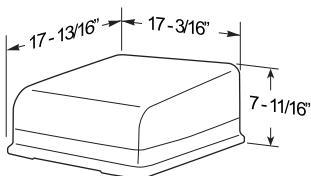


BASIC 1635 / 1630

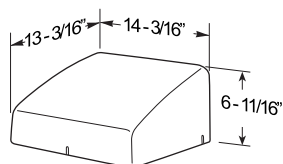


UTILITY CENTERS

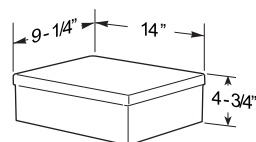
Contoured



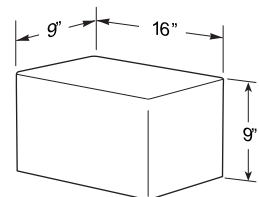
Deluxe



Standard



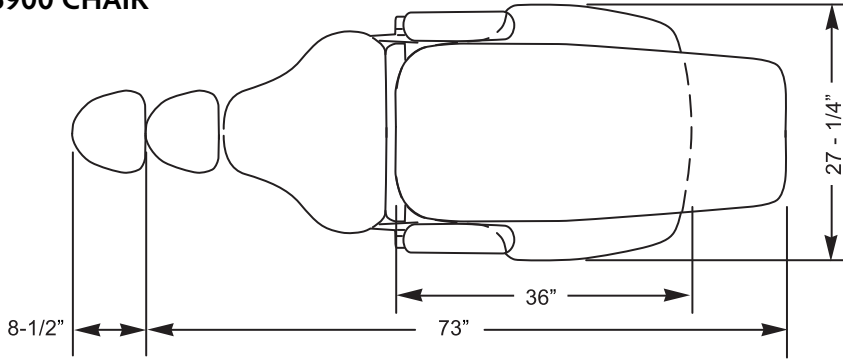
Recessed



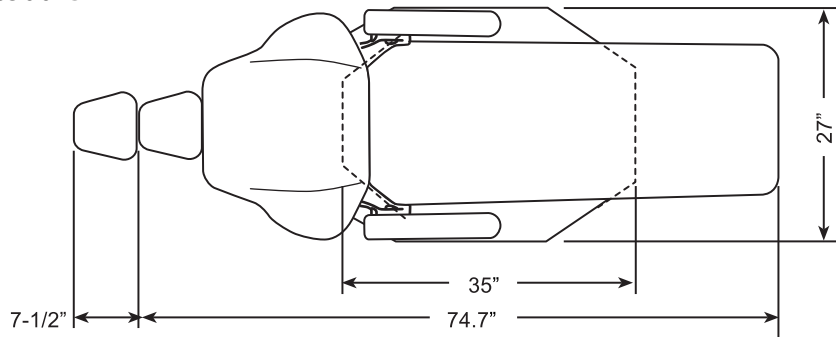
general information

dimensions

3900 CHAIR

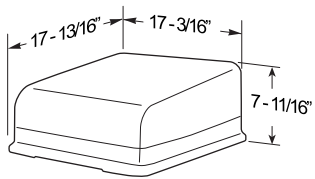


6300 CHAIR

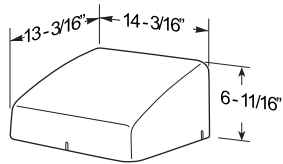


UTILITY CENTERS

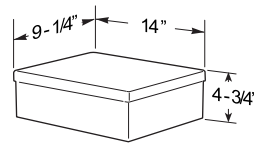
Contoured



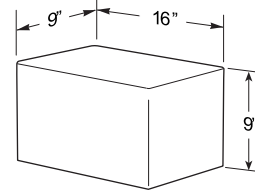
Deluxe



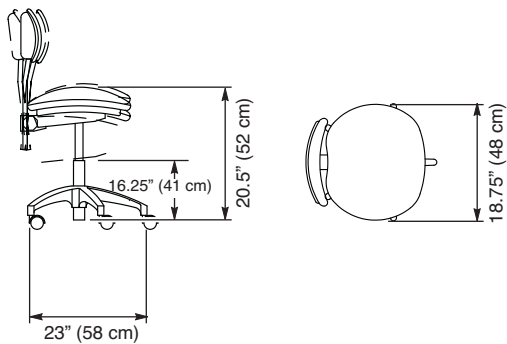
Standard



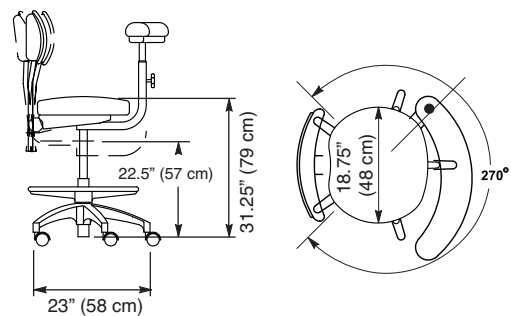
Recessed



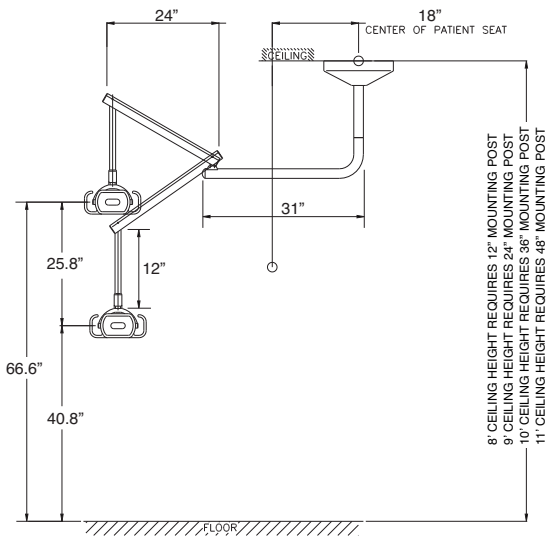
DOCTOR STOOL 6126



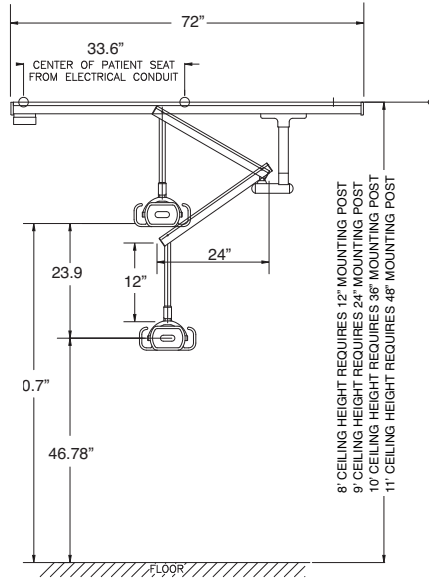
ASSISTANT'S STOOL 6137C / 6147C



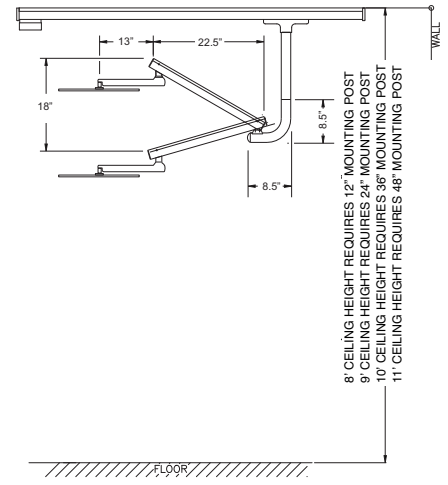
CEILING MOUNT



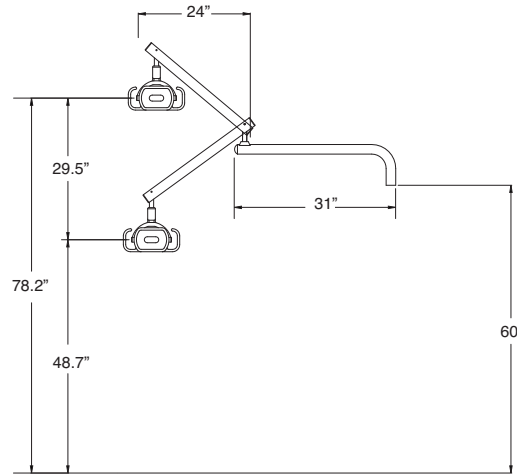
TRACK MOUNT LIGHT



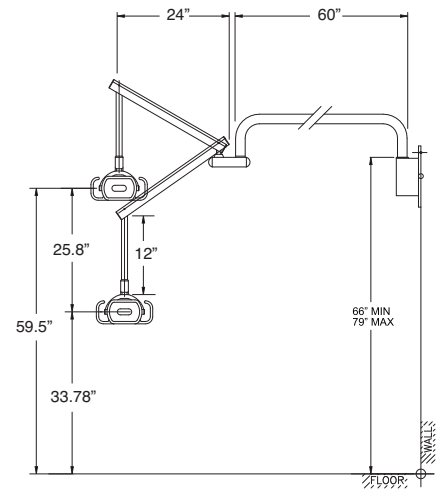
TRACK MOUNT MONITOR



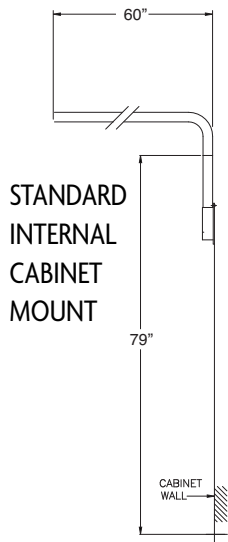
CHAIR MOUNT



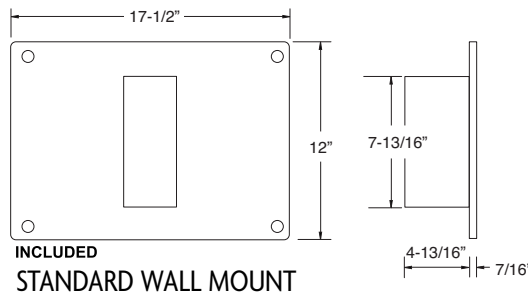
WALL & CABINET MOUNT



CABINET MOUNT

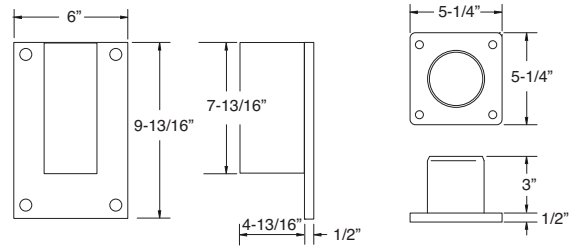


STANDARD
INTERNAL
CABINET
MOUNT



INCLUDED
STANDARD WALL MOUNT

OPTIONAL CABINET MOUNT



1110-886-CS

VERTICAL EXTERIOR

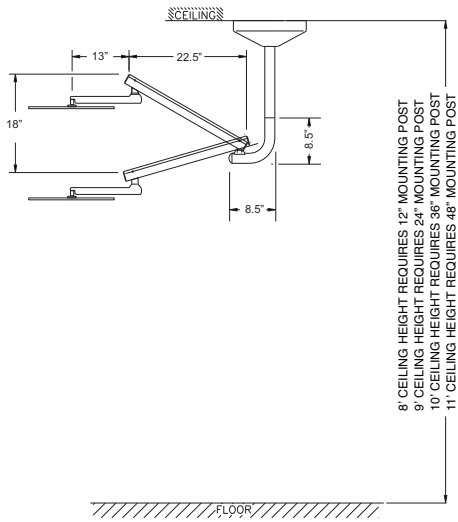
1110-881-CS

HORIZONTAL TOP

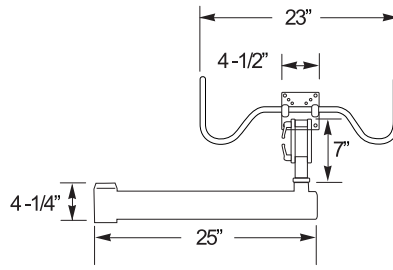
general information

dimensions

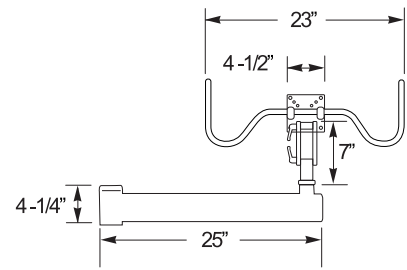
1380-C



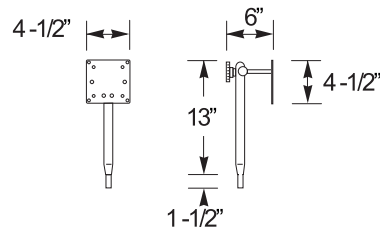
1331RM



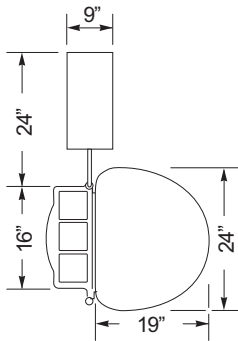
1331TPM



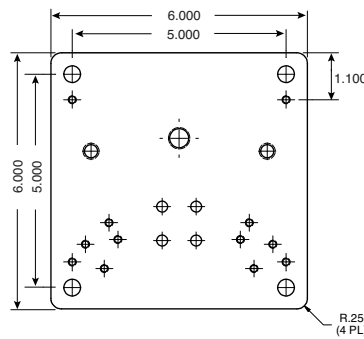
1300-025



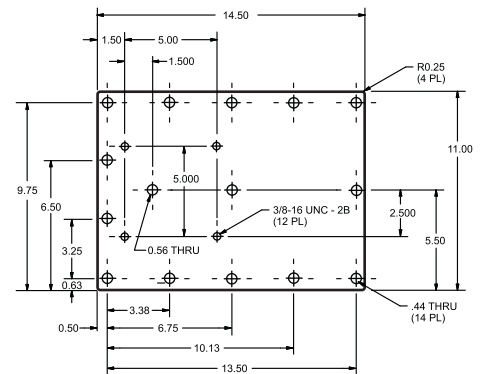
7381 / 7681



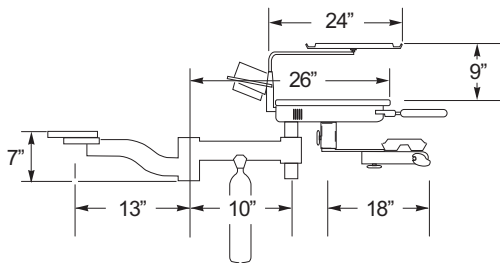
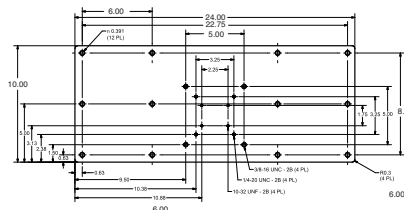
7381 / 7681 Mounting Plates



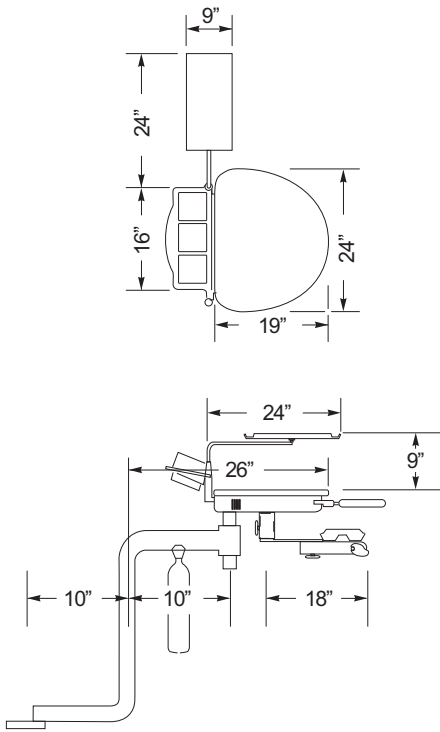
0010-086



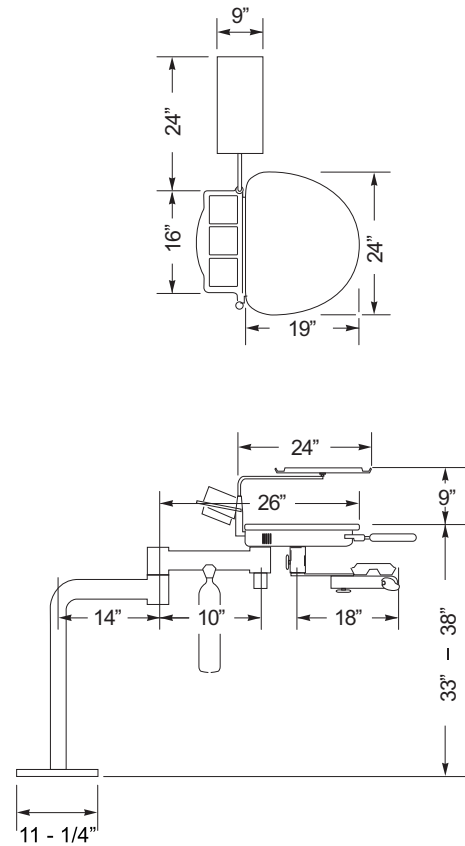
0010-084



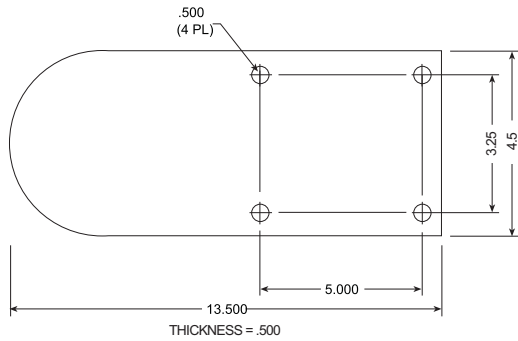
BENEATH CABINET MOUNT 7383 / 7683



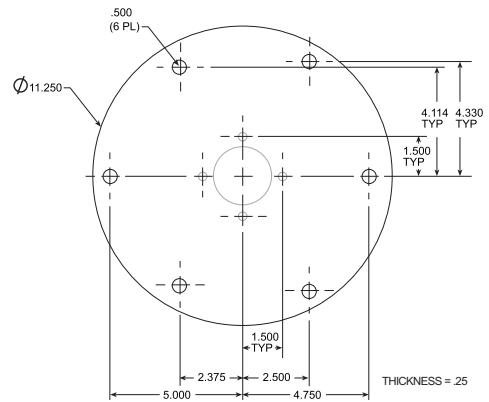
FLOOR MOUNT 7382 / 7682



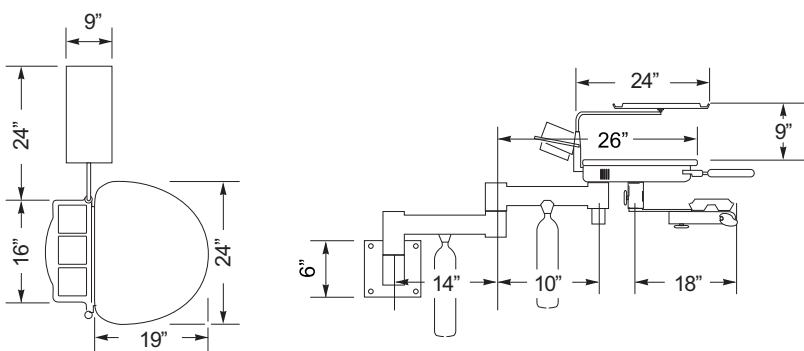
BENEATH CABINET 7383 / 7683 Leveling/Mounting Plate



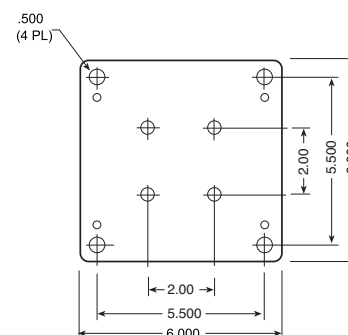
FLOOR MOUNT 7382 / 7682 Leveling/Mounting Plate



WALL MOUNT 7380 / 7680



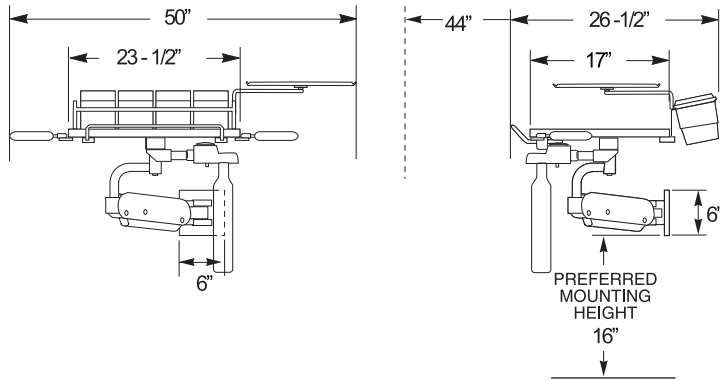
WALL MOUNT 7380 / 7680 Mounting Plate



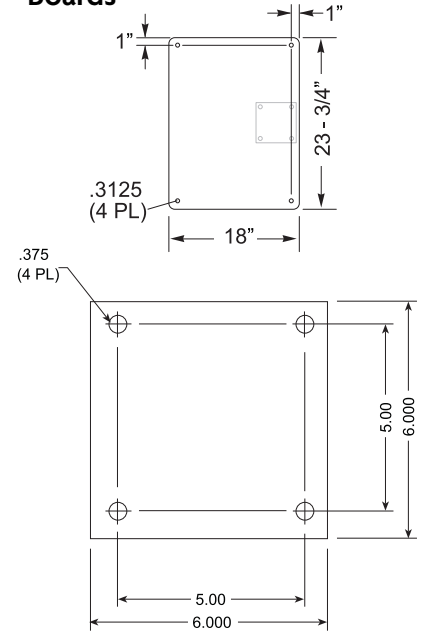
general information

dimensions

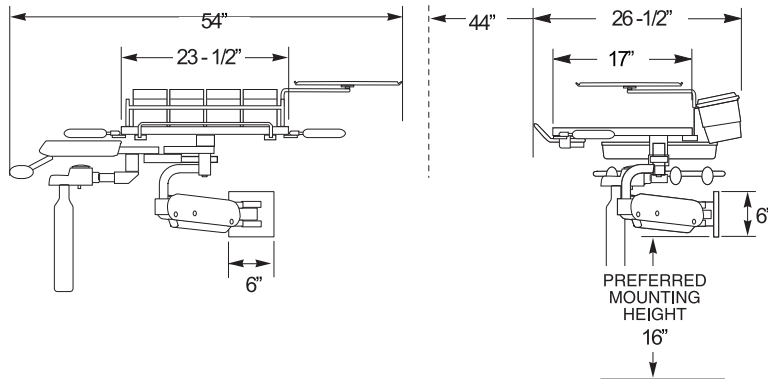
WALL OR CABINET MOUNT ASSISTANT'S 3480



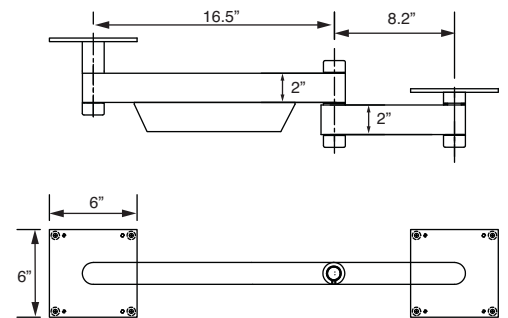
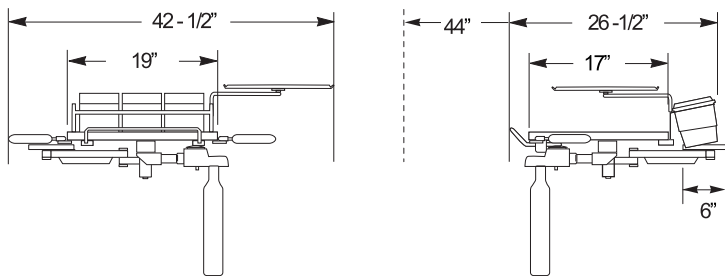
3480/3680 Leveling/Mounting Boards



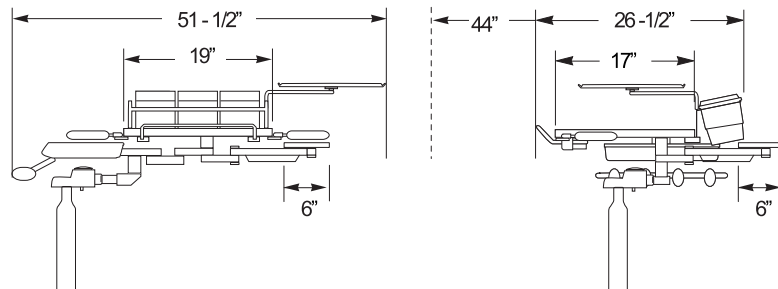
WALL OR CABINET MOUNT DUO 3680



REAR BENEATH COUNTER MOUNT ASSISTANT'S 3485



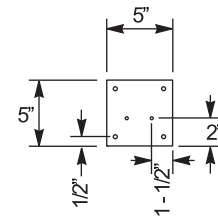
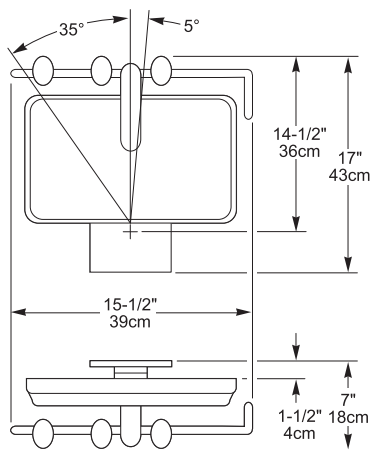
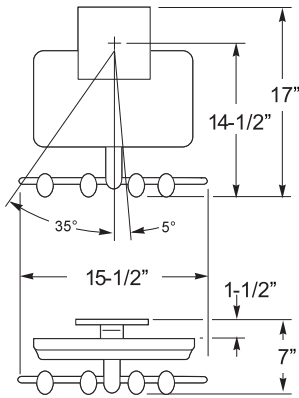
REAR BENEATH DUO 3685



see page 137 for optional mounting plates
(7381 / 7681, 11" x 14-1/2" and 24" x 10")

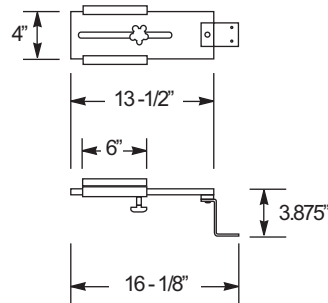
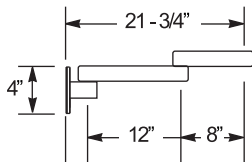
REAR MOUNT BENEATH COUNTER 2400 / 2745

2400/2745 Leveling/Mounting Plate



FOLDING ARM SYSTEM 1110-115

SLIDE MOUNT 1700-030

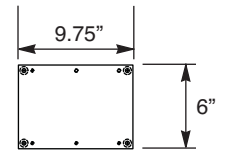
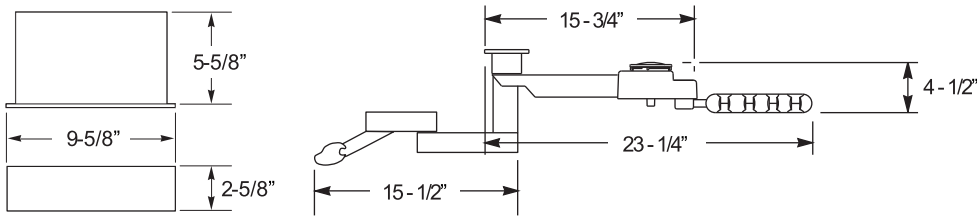


general information

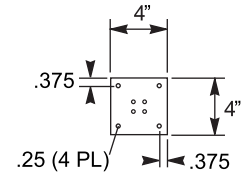
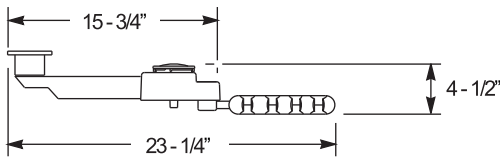
dimensions

REAR, BENEATH WORK SURFACE 2180

2180/1280 Leveling/Mounting Plate



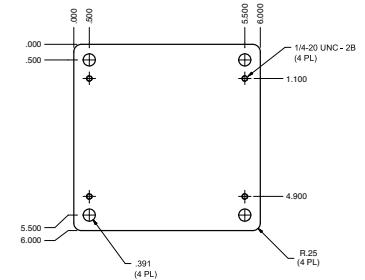
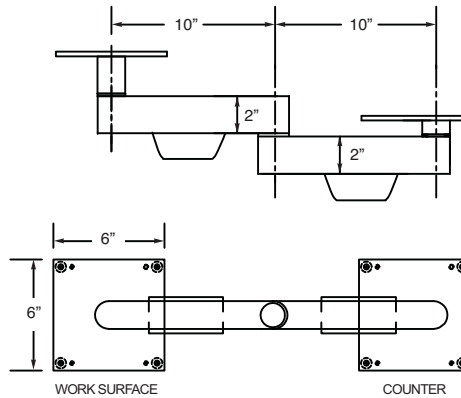
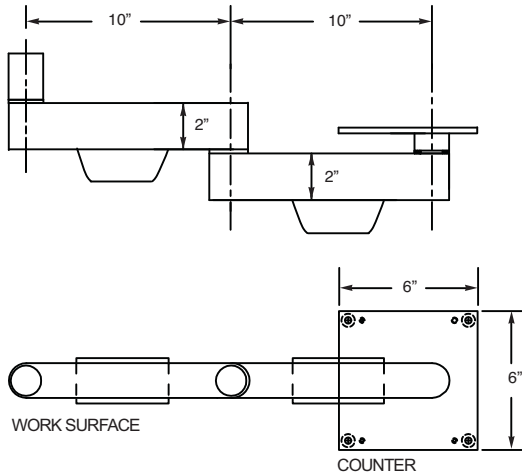
REAR, BENEATH WORK SURFACE 1280



0023-806

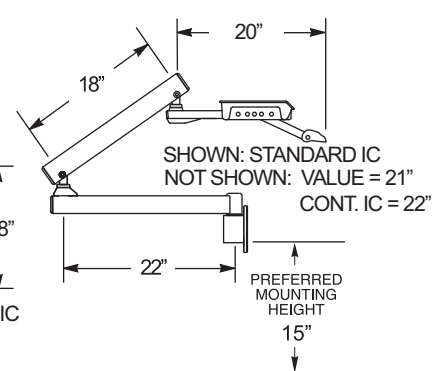
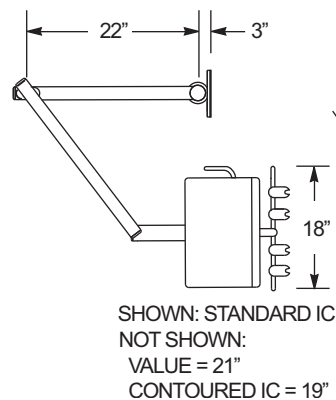
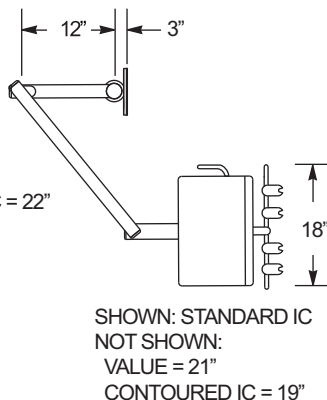
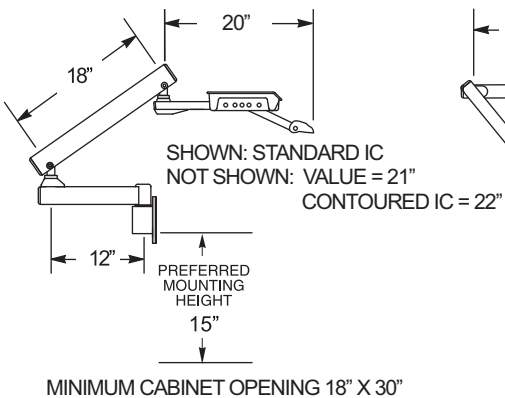
0023-815

0023-698 Mounting Plate

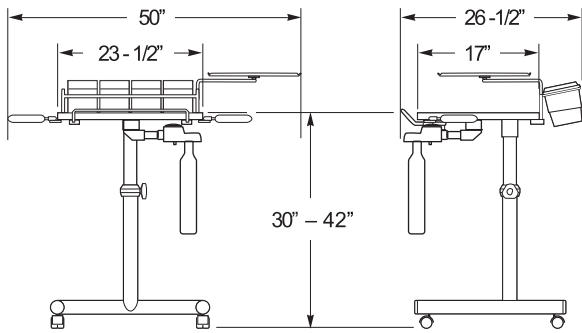


3535 / 3235 / 3245 / 3735 / 3745

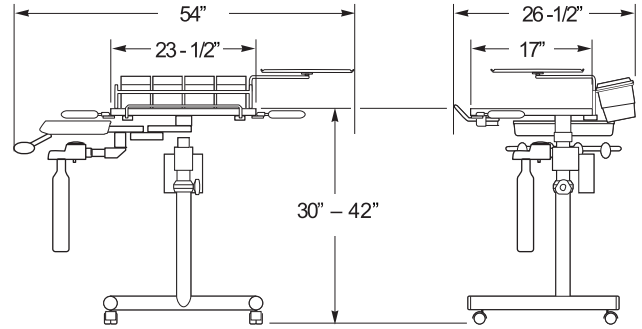
3530 / 3230 / 3240 / 3730 / 3740



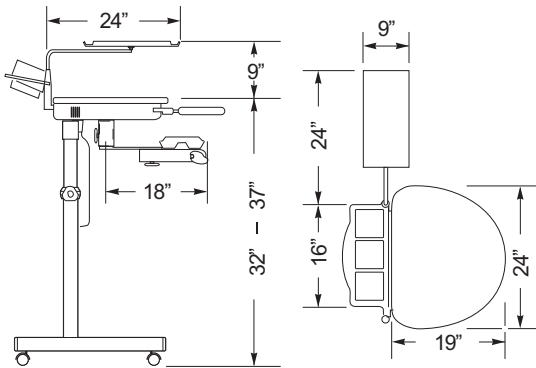
ASSISTANT'S CART 5380 / 5370



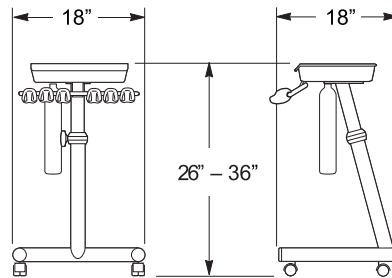
DUO CART 5880



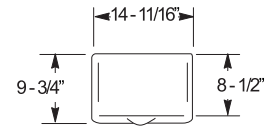
ASSISTANT'S / DUO CART 7384 / 7684



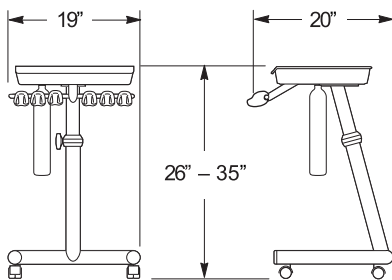
VALUE CART 5915 / 5910



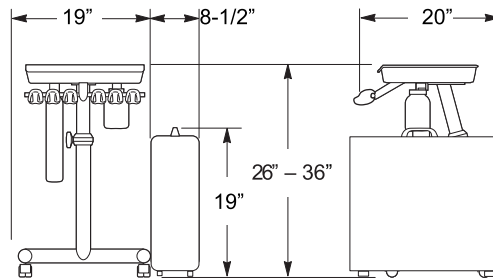
5915 / 5910 VALUE Work Surface



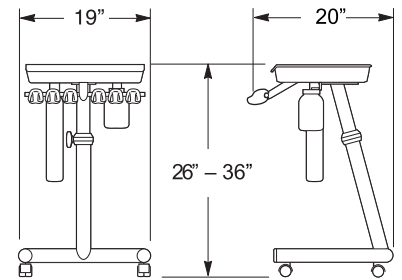
IC CART 5400 / 5200



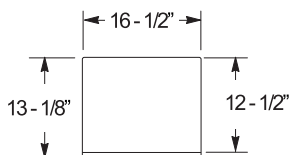
IC CART 5750



IC CART 5751



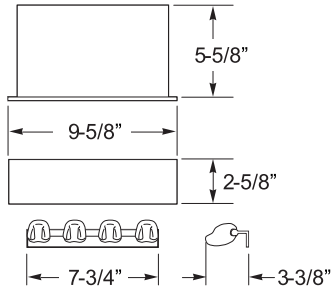
5400 / 5200 / 5750 / 5751 Work Surface



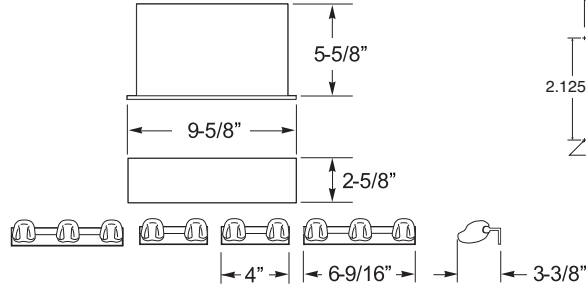
general information

dimensions

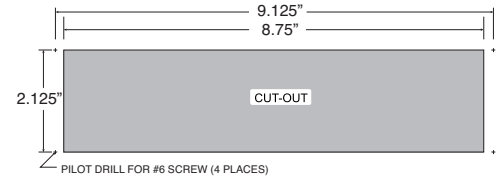
2500



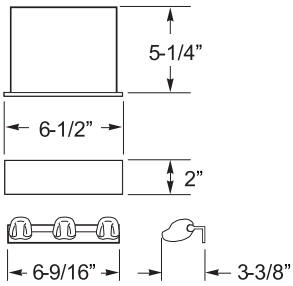
2505



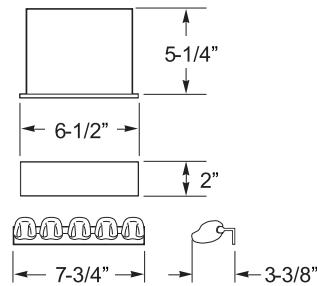
2500 / 2505 Wall cut-out



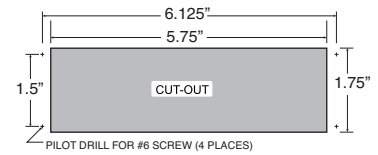
2510



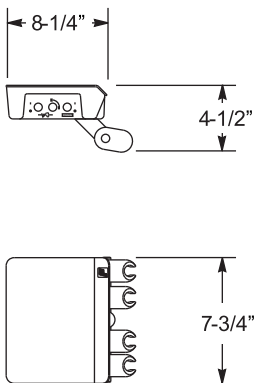
2515



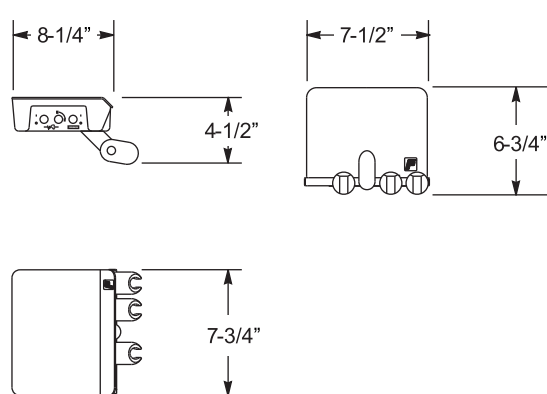
2510 / 2515 Wall cut-out



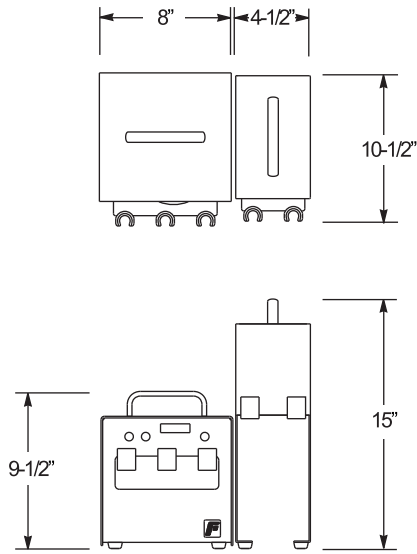
MT600



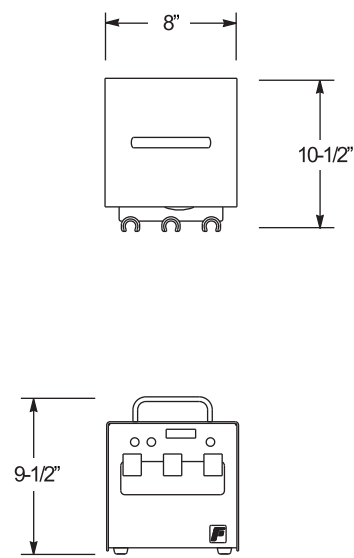
MT610



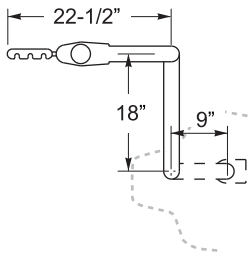
PORTABLE UNIT WITH VACUUM PMT350



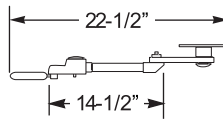
PORTABLE UNIT PMT300



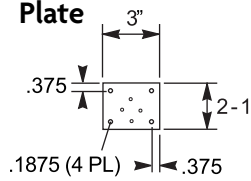
1090



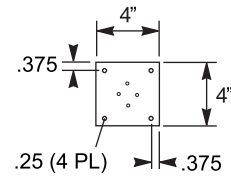
1055



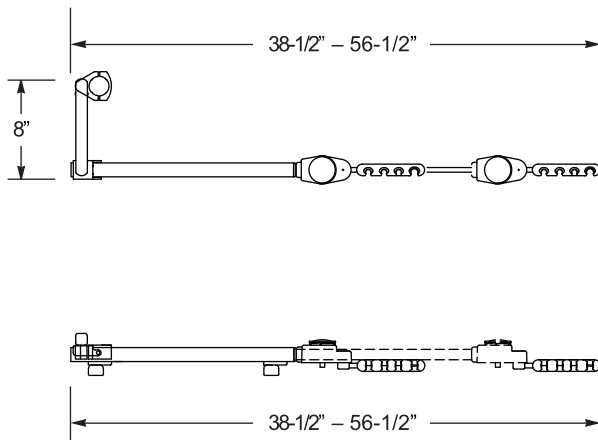
1055 Leveling/Mounting Plate



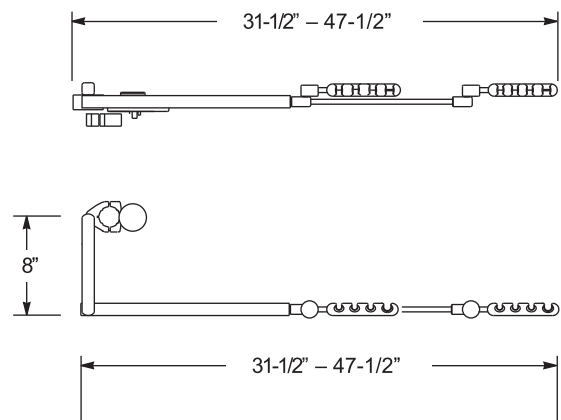
WALL MOUNT 1110-349 Leveling/Mounting Plate



1070



1075



general information

terms + warranty

TERMS

All prices unless otherwise listed are F.O.B. Hillsboro, Oregon U.S.A. Payments are net 30 days of invoice date. A service charge of 1-1/2% per month (annual rate 18%) will be charged on past due accounts, \$1.00 minimum. All prices are subject to change without notice.

RETURN MERCHANDISE

Dealers wishing to return merchandise for credit consideration, must obtain prior factory authorization. Authorization is valid for an extended period of 90 days. After that time, if product is not returned, authorization becomes invalid. A minimum handling fee of 25% will be charged on returned items approved for credit. Returned items must be shipped freight prepaid. **Special orders deviating from our standard product line as well as Designer Friendly™ equipment cannot be returned for credit consideration.**

WARRANTY

FOREST warrants its products to be free from defects in material and workmanship only. No other warranties are expressed or implied. This warranty shall extend for five years unless otherwise stated. Written notice of breach must be given to FOREST within this period. Buyer's remedy for breach of this warranty is limited to repair parts or replacement of items by FOREST. This warranty is void if items are carelessly used or improperly maintained or installed. This warranty does not cover damage that results from using cleaning, disinfecting or sterilization chemicals and processes. This warranty does not cover light bulbs. Handpiece illumination and heated syringe tubings are warranted for six months to be free from defects in material and workmanship only. Factory repairs are covered for a period of 90 days. No claim for labor or consequential damages will be allowed.

UNDER HOOD LIFETIME WARRANTY

Serial number(s) and purchase order required. Freight and labor paid by dealer.

CUSTOMER SERVICE:

Forest Customer Service is available by phone for order entry or technical assistance Monday through Friday, 6:00 am to 4:30 pm (PST). Fax is available 24 hours a day. Voice mail is available 4:30 pm to 6:00 am (PST).

p: 800.423.3555

503.640.3012

f: 503.693.9715

503.640.4008

e: sales@forestmed.com

WESTERN REGION

MARK ASPLUND

31812 12th Place SW
Federal Way, WA 98023
Cell: 206-954-9421
Email: masplund@profsales.com

JASON BISHOP

436 E. 1350 N.
Bountiful, UT 84010
Cell: 801-726-7076
Fax: 801-298-3821
Email: jbishop@profsales.com

DAN KNOX

40715 North Bradon Way
Anthem, AZ 85086
Cell: 303-883-8544
Fax: 623-551-9426
Email: dknox@profsales.com

RICK ORME

115 Carmody Circle
Folsom, CA 95630
Cell: 916-837-3839
Fax: 916-984-8407
Email: rorme@profsales.com

SAM PAOLA

1022 Wellesley Avenue
Los Angeles, CA 90049
Cell: 310-569-1178
Fax: 206-770-7477
Email: spaola@profsales.com

MEL SEAGLE

10 Danforth Avenue
Laguna Niguel, CA 92677-5700
Cell: 949-678-4550
Fax: 949-258-5800
Email: mseagle@profsales.com

VICTOR YOON

9509 Willowleaf Place
Burnaby, British Columbia
Canada V5A 4A5
Cell: 778-688-8429
Fax: 778-737-8421
Email: vyoona@profsales.com

PSA GOVERNMENT OFFICE

MILT BAISLEY

1885 Ridge Road
North Haven, CT 06473-2022
Cell: 203-645-7431
Fax: 203-248-0427
Email: mbaisley@profsales.com

CENTRAL REGION

CHARLIE CLARKE

617 Tally Road
Lexington, KY 40502
Cell: 859-509-6298
Fax: 859-263-0302
Email: cclarke@profsales.com

BILL HIGHLAND

1725 Clover Ridge
Howell, MI 48843
Cell: 810-623-7297
Fax: 517-540-9690
Email: bhighland@profsales.com

MATT HIGHLAND

8544 Washington Way
Germantown, TN 38139
Cell: 901-606-3633
Fax: 901-756-0564
Email: mdhighland@profsales.com

MILTON LORRING

4333 East 71st Street
Cleveland, OH 44105
Cell: 216-396-2341
Fax: 216-803-9910
Email: mlorryng@profsales.com

PAT MOYLAN

4971 Ward Parkway
Kansas City, MO 64112
Cell: 816-729-2900
Fax: 208-730-2759
Email: pmoylan@profsales.com

PAUL MYERS

4051 Meadowdale Lane
Dallas, TX 75229
Cell: 214-704-5100
Fax: 253-369-1308
Email: pmyers@profsales.com

MICHAEL PARK

8907 Southleigh Drive
Spring, TX 77379
Cell: 281-702-3992
Fax: 281-251-9125
Email: mpark@profsales.com

BILL REINHARDT

485 Old Mill Road
Barrington, IL 60010-4736
Cell: 847-840-3330
Fax: 847-382-2102
Email: breinhardt@profsales.com

AARON RENNER

10217 Lynhurst Park Drive
St. Thomas, Ontario
Canada N5P 2E5
Cell: 519-319-7457 or
Fax: 519-637-2466
Email: arenner@profsales.com

LLOYD SCOTT

4313 Camelot Dr. South
Minnetonka, MN 55345-2502
Cell: 612-325-5555
Fax: 952-936-0194
Email: lscott@profsales.com

EASTERN REGION

MILT BAISLEY

1885 Ridge Road
North Haven, CT 06473-2022
Cell: 203-645-7431
Fax: 203-248-0427
Email: mbaisley@profsales.com

MICHEL CABANIE

64 rue Giffard
Île-Perrot, Quebec
Canada J7V 7H2
Cell: 514-793-3368
EFax: 514-221-3368
Email: mcabanie@profsales.com

JIM DOMITRZ

16 Tyler Drive
Londonderry, NH 03053
Cell: 617-921-4580
EFax: 603-218-7400
Email: jdomitrz@profsales.com

RICH ELLIS

6 Falling Star Court
Germantown, MD 20874
Cell: 301-502-7424
EFax: 888-814-8630
Email: rellis@profsales.com

MATT LANGDON

59 Milburn Street
Rockville Centre, NY 11570
Cell: 516-316-5913
Fax: 516-706-2844
Email: mlangdon@profsales.com

KEITH O'BERRY

12 Highgate Court
Greensboro, NC 27407
Cell: 336-210-1429
Fax: 336-855-0184
Email: koberry@profsales.com

TOM O'BERRY

175 Bay Colt Road
Milton, GA 30009
Cell: 404-307-4931
Fax: 770-475-9903
Email: toberry@profsales.com

DON ROGERS, III

216 Barkay Crossing
Lititz, PA 17543
Cell: 717-201-7332
Fax: 866-764-5980
Email: drogers@profsales.com

SHEL SIMON

961 Landmark Circle
Tierra Verde, FL 33715
Cell: 727-510-2200
EFax: 253-276-2296
Fax: 727-864-3783
Email: ssimon@profsales.com

general information

index

MODEL NUMBER INDEX

MT 600/610116	348086	588099	9045-C78
PMT 300/350117	348587	5910103	9045T77
1055118	353092	5915103	904676
1070119	353590	612622, 23, 25, 27, 29, 31, 33, 35, 38, 39, 41, 43, 45, 47, 49, 51, 54, 55, 57, 59, 61, 63, 65, 67, 72	9046-C78
107518, 19, 54, 55, 57, 59, 61, 63, 119	368086	6137C22, 23, 25, 27, 29, 31, 33, 35, 38, 39, 41, 43, 45, 47, 49, 51, 54, 55, 57, 59, 61, 63, 65, 67, 72	9046T77
109022, 23, 25, 27, 29, 31, 118	368587	6147C22, 23, 25, 27, 29, 31, 33, 35, 38, 39, 41, 43, 45, 47, 49, 51, 54, 55, 57, 59, 61, 63, 65, 67, 72	9065C79
128089	373093	630022, 23, 25, 27, 29, 31, 33, 35, 38, 39, 41, 43, 45, 47, 49, 51, 54, 55, 57, 59, 61, 63, 65, 67, 70	9065W79
1380-C80	373591	630170	9066C79
1380T77	374093	7374100	9066W79
157018, 19, 54, 55, 65, 67, 110	374591	738084	907022, 23, 25, 27, 29, 31, 33, 35, 38, 39, 41, 43, 45, 47, 49, 51, 54, 55, 57, 59, 61, 63, 65, 67, 76
157518, 19, 54, 55, 57, 59, 61, 63, 110	390022, 23, 25, 27, 29, 31, 33, 35, 38, 39, 41, 43, 45, 47, 49, 51, 54, 55, 57, 59, 61, 63, 65, 67, 71	738184	9070-C78
157616, 17, 38, 39, 45, 47	390171	738284	9070T77
157716, 17, 38, 39, 41, 43, 49, 51	411816, 38, 47	738384	907176
158022, 23, 33, 35	412418, 54, 63	7384100	9071-C78
159022, 23, 25, 27, 29, 31	415816, 38, 51	768085	9071T77
163018, 19, 54, 55, 65, 67, 111	416718, 54, 61	768185	9075C79
163518, 19, 54, 55, 57, 59, 61, 63, 111	419522, 31	768285	9075W79
1650109	433818, 54, 57	768385	9076C79
1655109	445516, 38, 49	7684101	9076W79
167616, 17, 38, 39, 45, 47	445822, 35	813818, 54, 59	908022, 23, 25, 27, 29, 31, 33, 35, 38, 39, 41, 43, 45, 47, 49, 51, 54, 55, 57, 59, 61, 63, 65, 67, 76
167716, 17, 38, 39, 41, 43, 49, 51	448522, 25	830016, 38, 41	9080-C78
1690108	449522, 33	835016, 38, 43	9080T77
1695108	454818, 54, 65	880716, 38, 45	908176
218089	455818, 54, 67	904522, 23, 25, 27, 29, 31, 33, 35, 38, 39, 41, 43, 45, 47, 49, 51, 54, 55, 57, 59, 61, 63, 65, 67, 76	9081-C78
240088	458522, 27		9081T77
2500114	498722, 29		9090C79
2505115	5200102		9090W79
2510114	537098		9091C79
2515115	538098		9091W79
274588	5400102		
323092	5750104		
323590	5751104		
324092			
324590			

FACTORY OPTION + PART NUMBERS INDEX (for pages 123-131 only)

AIRTECH-C123	0010-859131	0017-398125	0023-320128	1110-115128	1300-030129
BIEN-AIR123	0010-885130	0017-510125	0023-321128	1110-170122	1331-997122
BIEN-AIR-D123	0010-886130	0017-522125	0023-665128	1110-349-CS128	1331-998122
SATELEC-CL123	0010-887130	0017-530126	0024-114126	1110-517122	1400-010126
SATELEC-S123	0010-888131	0017-532126	0024-127126	1110-518122	1400-113-CS126
SATELEC-S-LED123	0014-067124	0017-533126	0024-224127	1110-536129	1400-115129
0008-019130	0014-085129	0017-565125	0024-227127	1110-537129	1400-119-BLK126
0010-084128	0014-088129	0017-592124	0024-227-CS127	1110-680128	1400-270-CS131
0010-086128	0014-095125	0017-603124	1100-335126	1110-771129	1700-012-CS124
0010-364129	0014-122124	0017-675124	1100-460125	1110-785122	1700-017-CS124
0010-464129	0016-454-CS129	0017-692124	1100-461126	1110-794122	1700-030128
0010-835130	0016-455-CS129	0017-810125	1105-174127	1110-820122	3900-001127
0010-836130	0016-456-CS129	0017-865125	1107-755125	1110-822122	3900-002127
0010-837131	0017-113125	0017-900124	1108-010125	1110-890122	3907-180131
0010-838131	0017-122125	0017-903124	1110-045122	1110-900122	
0010-846131	0017-330126	0017-930126	1110-050122	1115-001127	
0010-847131	0017-332126	0017-932126		1115-005127	
0010-856130	0017-333126	0017-933-CS126		1115-007127	
0010-857130	0017-368125	0022-020129		1115-020127	
0010-858131		0022-024129		1115-195122	
				1115-200122	

table of contents

2	DESIGNER FRIENDLY
14	DELIVERY SYSTEMS WITHOUT CHAIR 16 Fixed chair mount with sidebox 18 Fixed chair mount without sidebox
20	PIVOT CHAIR MOUNT PACKAGES
36	FIXED CHAIR MOUNT WITH SIDEBOX PACKAGES
52	FIXED CHAIR MOUNT WITHOUT SIDEBOX PACKAGES
68	CHAIRS + STOOLS 70 3900 Hydraulic patient chair 71 Doctor + Assistant's stools
74	LIGHTS + MONITOR MOUNT ASSEMBLIES 76 9080 / 9045 / 9070 Lights 80 Monitor mount assemblies
82	REAR + SIDE DELIVERY SYSTEMS 84 Rear mount 90 Side mount 94 Cabinetry mounting configurations
96	CARTS
106	CUSPIDORS
112	OPTIONAL DELIVERY SYSTEMS 114 Panel mounts 116 Compact controls 117 Portable units 118 Assistant's instrumentation
120	FACTORY OPTIONS + PARTS 122 Chair adapters, monitor posts + light posts 123 Ancillary options 124 Factory options + parts
132	GENERAL INFORMATION 132 Ordering guide 134 Dimensions 146 Terms + warranty, sales reps and index



forest dental

affordable excellence + designer friendly

Phone: 800-423-3555

Phone: 503-640-3012

Fax: 503-693-9715

Fax: 503-640-4008

e-mail: sales@forestmed.com

web: www.forestmed.com

6200 N.E. CAMPUS COURT
HILLSBORO, OR 97124